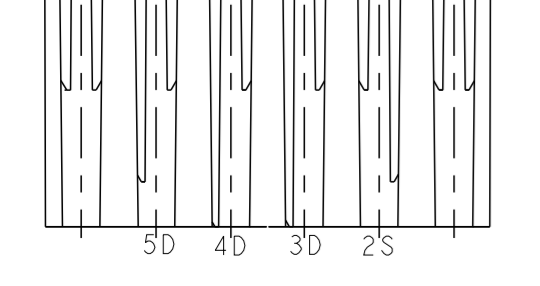
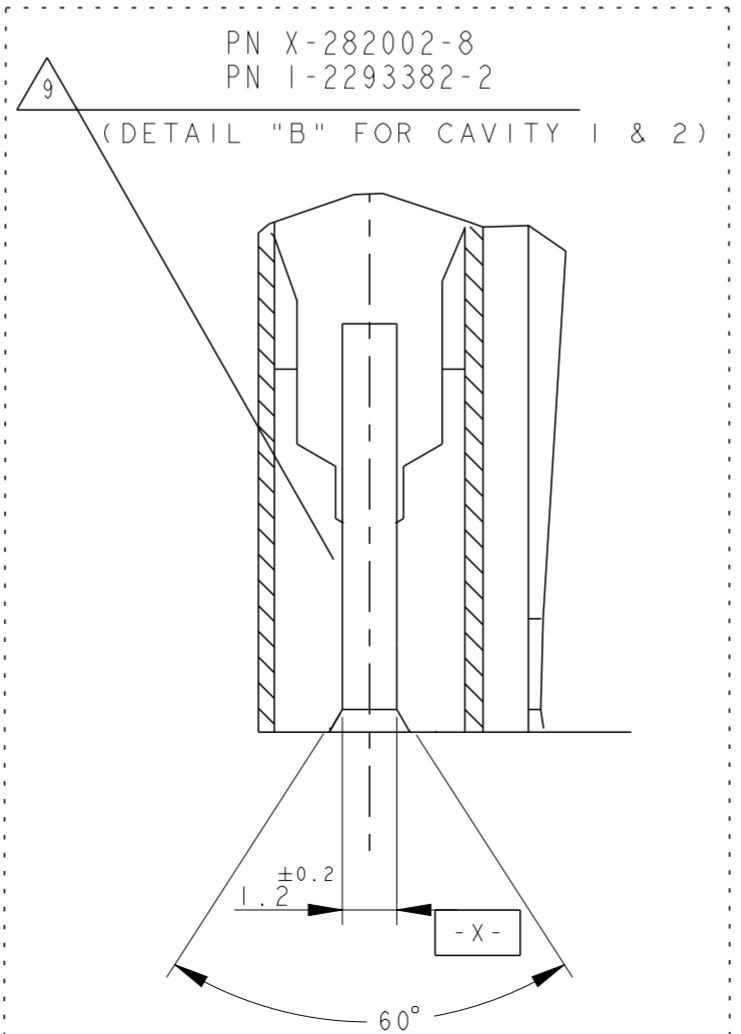
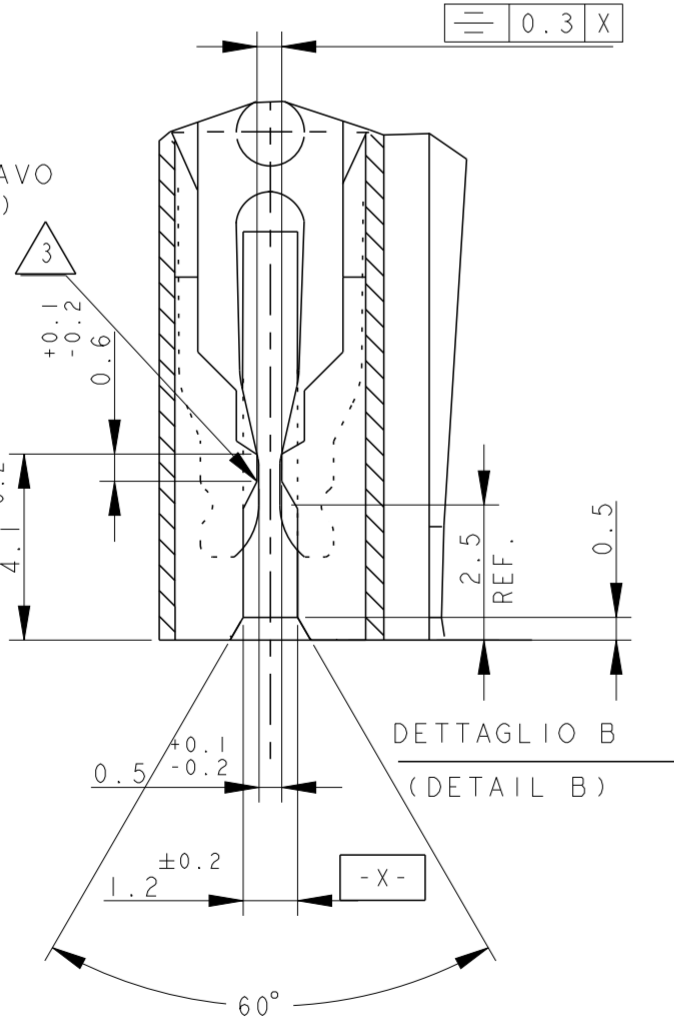
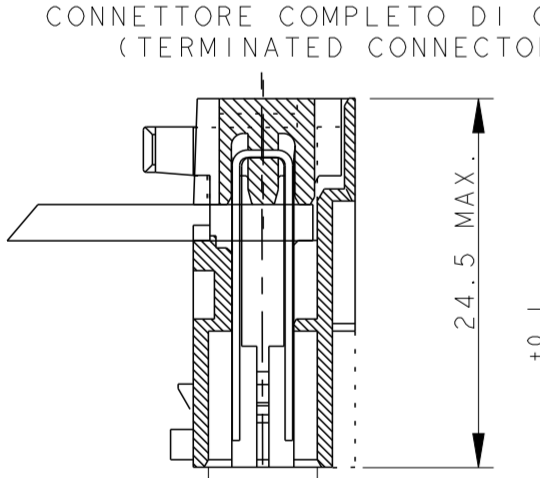
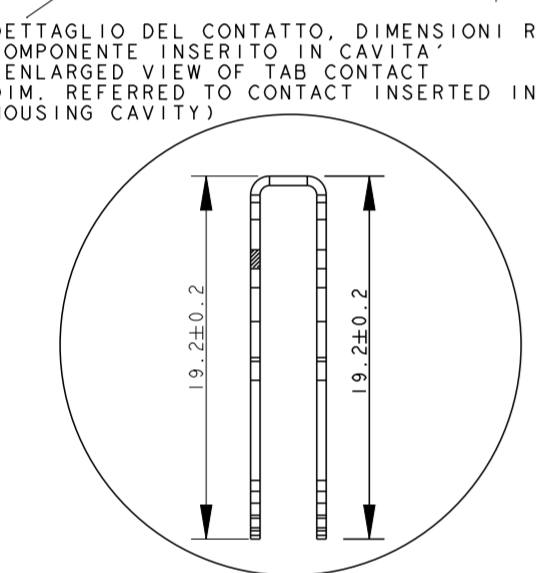
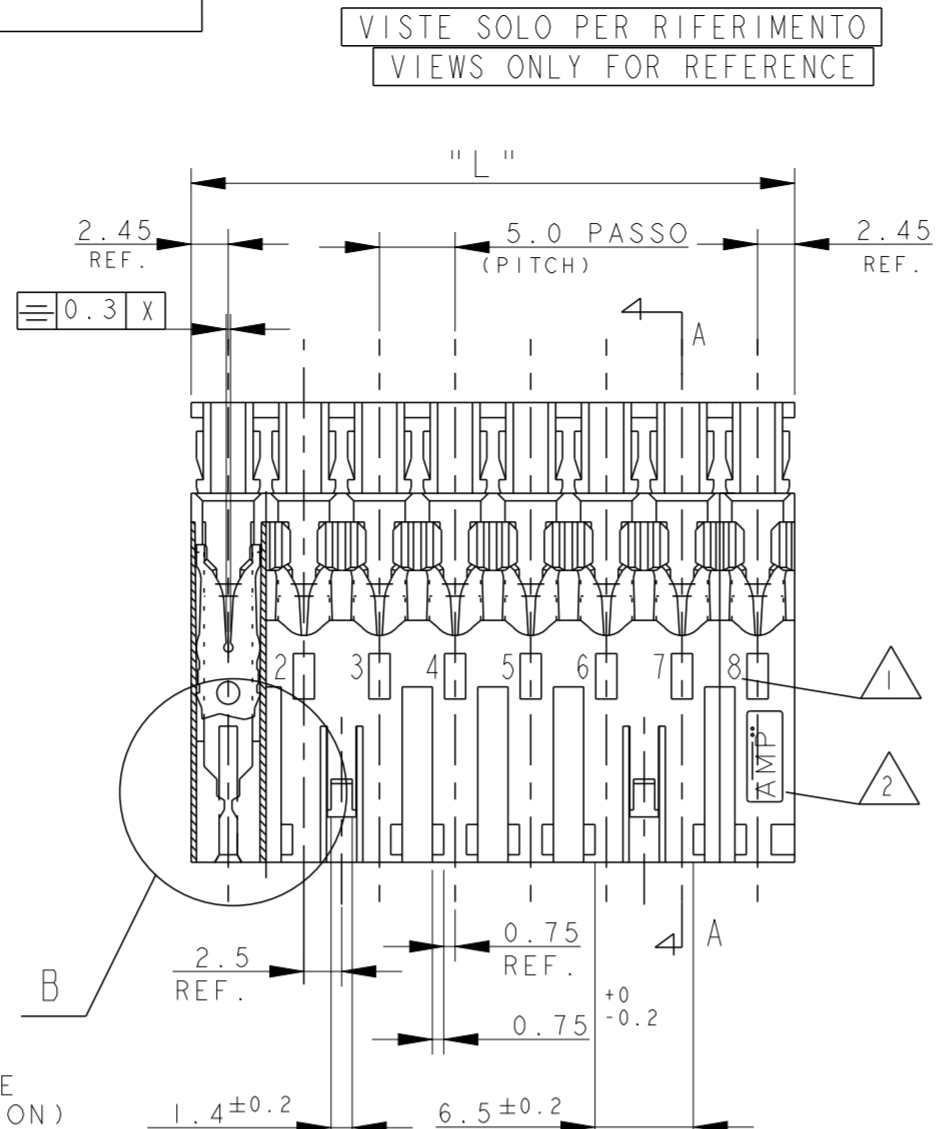
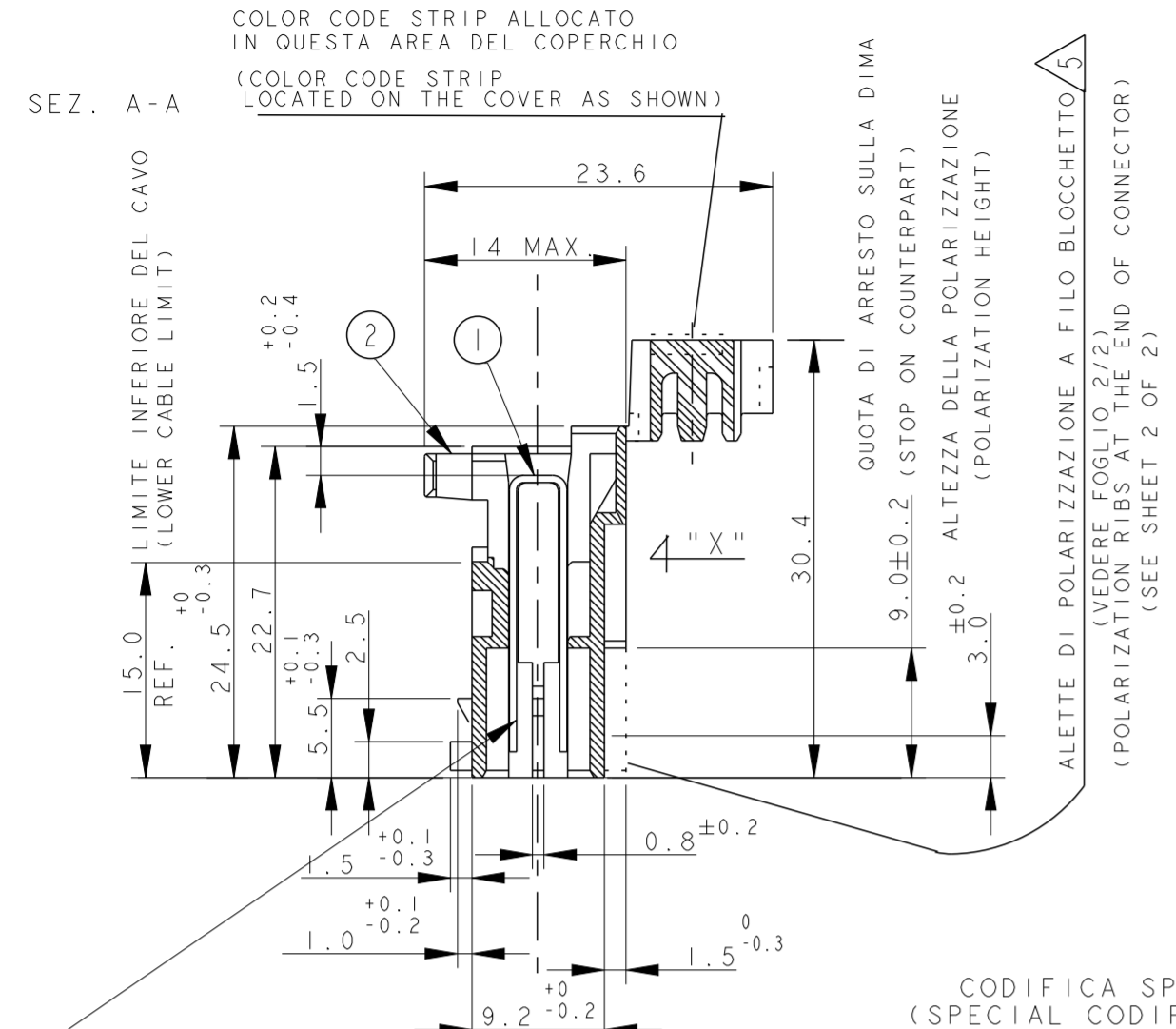


THIS DRAWING IS UNPUBLISHED. RELEASED FOR PUBLICATION
 © COPYRIGHT 2011 ALL RIGHTS RESERVED.

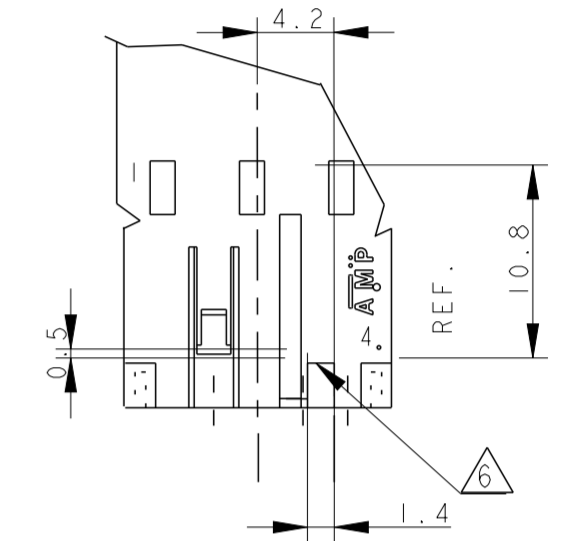
LOC		DIST		REVISIONS			
P	LTR	DESCRIPTION	DATE	DWN	APVD		
AA39		REVISED PER ECR-19-014379	13SEP2019	MP	FL		
AA40		REVISED PER ECR-20-005284	16APR2020	SM	FL		



DETAIL PN/s:
 1-282006-3
 2-282006-3
 3-282006-3

- NOTE/NOTES:
- NUMERI DI IDENTIFICAZIONE CAVITA' (CIRCUIT IDENTIFICATION)
 - MARCHIO DI FABBRICA LIBERA POSIZIONE (AMP LOGO FREE POSITION)
 - RETENTION TOOTH IS REQUESTED FOR THE 2 AND 3 POS. ONLY
 - PERTE PRELIMINARE, NON ANCORA IN PRODUZIONE (PRELIMINARY PART, NOT YET RELEASED FOR PRODUCTION)
 - PER QUESTI P/N LA POLARIZZAZIONE POSTERIORE DEVE INTENDERSI COMPLETA, A FINE BLOCCETTO (FOR THE INDICATE P/N THE POLARIZATION MUST BE AT THE END OF CONNECTOR (see sheet 2 of 2))
 - CODIFICA CON DIFFERENTE DIMENSIONE (CODIFICATION WITH DIFFERENT DIMENSION)
 - BECOMES 6.5 FOR BOTH CAVITIES ON THE 2 POS., ON CAVITY N.1 AND N.3 ON THE 3 POS. AND ON CAVITY N.1 ON THE 4 POS. CONNECTOR
 - INCLUDE LA POLARIZZAZIONE DOVE E' ESISTENTE (INCLUDING POLARIZATION KEY, WHEN EXISTING)
 - DETAIL FOR PN X-282002-8 AND PN I-2293382-2, SPECIAL VERSION, SEE ALSO NOTE 3
 - P/N NON RILASCIATO PER LA PRODUZIONE (P/N NOT YET RELEASED FOR PRODUCTION)
 -
 - GEOMETRIA ALTERNATIVA DEL DENTINO DI AGGANCIAMENTO VEDI NOTA 3 PER ALTRI DETTAGLI (ALTERNATIVE SHAPE FOR RETENTION TOOTH, SEE NOTE 3 FOR ADDITIONAL DETAILS)
 - STATO DI FORNITURA: CONFEZIONAMENTO IN "VASSOI + SCATOLA" (PACKAGING: "ON TRAY PLUS CARTON BOX")
 - CONFEZIONAMENTO IN BOBINA OBSOLETO (PACKAGING: ON REEL OBSOLETE) PASSO 11.4-12.4 (PITCH)
 - OBSOLETE PARTS: OBSOLETE CIS STREAMLINING PER D.RENAUD/D.SINISI
 - THE DESIRED POLARIZATION CAN BE OBTAINED BY THE TERMINATION MACHINE
 - EXCEPTION MADE FOR PN FOR THIS PN CAVITY 1 IS WITHOUT RETENTION TOOTH AND HAS THE SAME DESIGN AS THE CAVITY N.2
 - OBSOLETE PART

DETAIL FOR PN 0-282233-2 ONLY



ITEM	DENOMINAZIONE (DESCRIPTION)	FINITURA / COLORE (FINISH / COLOUR)	MATERIALE (MATERIAL)
2	BLOCCETTO (HOUSING)	NATURALE (NATURAL)	PA 6.6 CARICATO VETRO (POLIAMIDE 6.6 GLASSFIBER FILLED)
1	CONTATTO (CONTACT)	STAGNATO (TIN-PLATED)	OTTONE (BRASS)

DIAM. ISOLANTE (INS. DIA. RANGE): 3,0 max.
 RANGO FILO (WIRE RANGE): 0.5-1.5mm2

THIS DRAWING IS A CONTROLLED DOCUMENT.

DIMENSIONS: mm

TOLERANCES UNLESS OTHERWISE SPECIFIED: 0.3

MATERIAL: SEE TABLE

FINISH: SEE TABLE

DWN: G. ENDRIZZI 23 JUL 1995
 CHK: G. TURCO 23 JUL 1995
 APVD: G. TURCO 23 JUL 1995

NAME: G. TURCO

PRODUCT SPEC: 108-20065-1, 108-20065-2

APPLICATION SPEC: 114-20016, 114-20016-1

WEIGHT: -

Customer Drawing

SCALE: -

SHEET 1 OF 6

REV AA40

STE TE Connectivity

MONO-SHAPE MK1 TAB CONNECTORS 2-10 POS.

SIZE: A2
 CAGE CODE: 0779
 DRAWING NO: C-282002

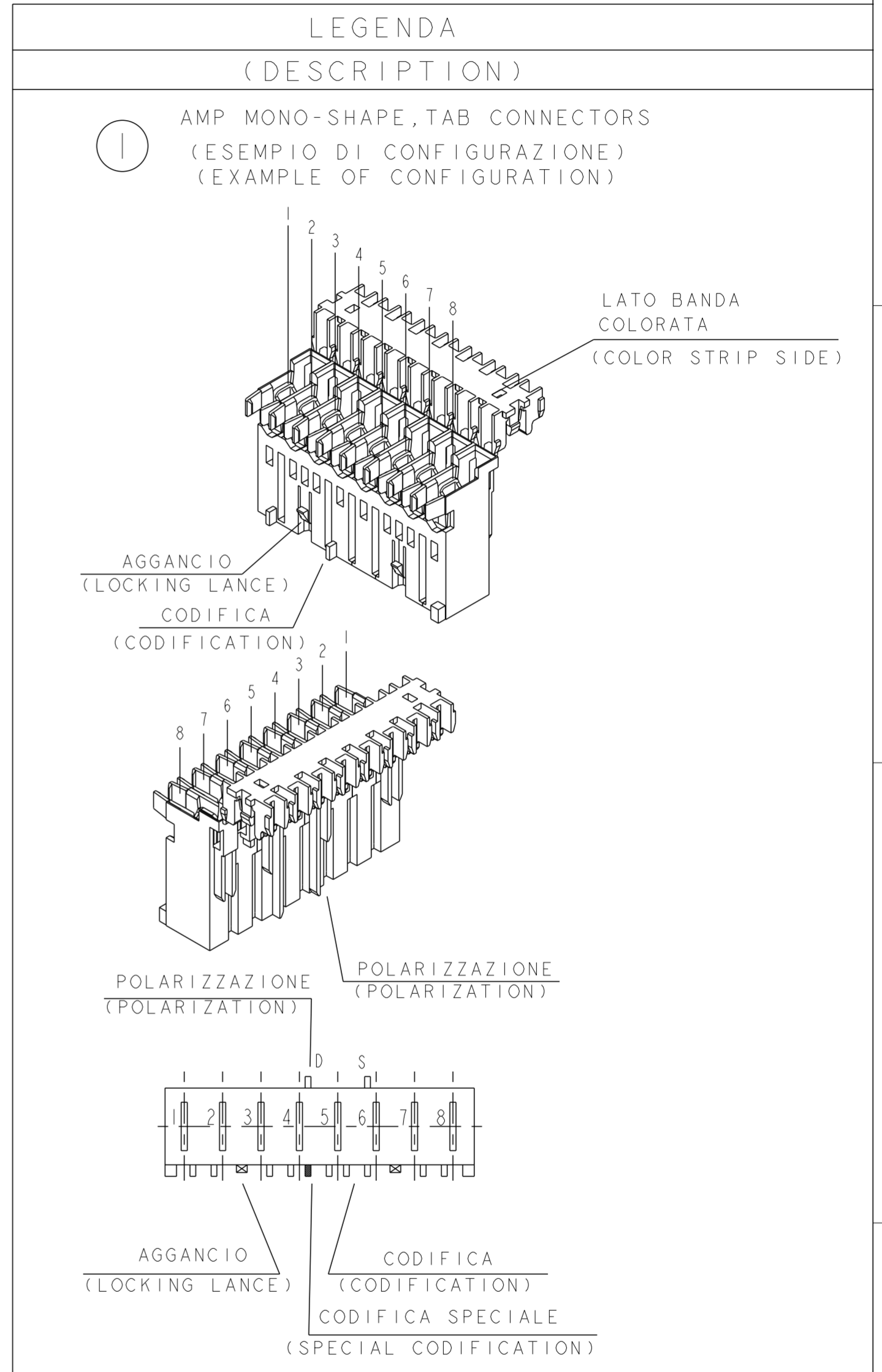
RESTRICTED TO: -

THIS DRAWING IS UNPUBLISHED. RELEASED FOR PUBLICATION
 © COPYRIGHT 2011 ALL RIGHTS RESERVED.

LOC		DIST		REVISIONS			
P	LTR	DESCRIPTION	DATE	DWN	APVD		
-	-	SEE SHEET 1					

VISTE SOLO PER RIFERIMENTO
 VIEWS ONLY FOR REFERENCE

NUMERO DI VIE	CONFIGURAZIONE (Vista connettore dall'alto)	TE PART NUMBER ASSY CONN.				POSIZIONE POLARIZ. (LATO POSTERIORE)	POSIZIONE AGGANCIAMENTO (LATO ANTERIORE)	POSIZIONE CODIFICA SPECIALE (LATO ANTERIORE)	L +0.2 -0.3 (mm)	NOTE MARCHIATURA CON BANDA COLORATA	POSSIBILI RAST 5 POLARIZ.
		VERSIONE PEZZI IN VASSOIO	VERSIONE PEZZI SCIOLTI	TRAY PACKAGING VERSION	PART REV						
NO OF POS	CONFIGURATION (View from top side)	TRAY PACKAGING VERSION	PART REV	LOOSE PIECES PACKAGING VERSION	PART REV	POLARIZ. POSITION (BACK SIDE)	LOCKING POSITION (FRONT SIDE)	SPECIAL COD. POSITION (FRONT SIDE)	L +0.2 -0.3 (mm)	NOTE STRIP COLOUR	POSSIBLE RAST 5 POLARIZ.
2		4-282002-1	AA	-	-	2S	1-2	-	9.9	NERO BLACK	02-C
2		1-282002-1	V	2-282002-1	V	2S	1-2	-	9.9	NERO BLACK	02-C
2		1-282002-2	V	2-282002-2	V	1S	1-2	-	9.9	GRIGIO GREY	02-B 02-E 02-F
2		1-282002-3	V	2-282002-3	V	2D	1-2	-	9.9	ROSSO RED	02-L
2		1-282002-4	V	2-282002-4	V	1D	1-2	-	9.9	BLU BLUE	02-A
2		1-282002-5	V	2-282002-5	V	2S	1-2	-	9.9	NERO BLACK	02-Q
2		3-282002-5	AA	-	-	1D	1-2	-	9.9	NERO BLACK	02-Q
2		1-282002-6	V	2-282002-6	V	-	1-2	-	9.9	NERO BLACK	-
2		1-282002-7	V	2-282002-7	V	-	1-2	-	9.9	-	-
2		1-282002-8	V	2-282002-8	V	1S	1-2	-	9.9	VERDE GREEN	02-B 02-E 02-F
2		2-282002-9	I	-	-	1D	1-2	-	9.9	-	-
2		3-282002-0	I	-	-	2D	1-2	-	9.9	-	-
2		3-282002-4	AA	-	-	1D	1-2	-	9.9	-	02-A
2		5-282002-2	A	-	-	2S	1-2	-	9.9	YELLOW	02-B 02-E 02-F
2		6-282002-0	AA	-	-	1S	1-2	-	9.9	RED	-
3		1-282003-1	V	2-282003-1	V	1D	1-2	-	14.9	ARANCIO ORANGE	03-A 03-I
3		4-282003-1	AA	-	-	1D	1-2	-	14.9	ARANCIO ORANGE	03-A 03-I
3		1-282003-2	V	2-282003-2	V	2D	2-3	-	14.9	BLU BLUE	03-B
3		1-282003-3	V	2-282003-3	V	3D	1-2	-	14.9	VERDE GREEN	03-F
3		1-282003-4	V	2-282003-4	V	3D	2-3	-	14.9	ROSSO RED	03-B
3		1-282003-5	V	2-282003-5	V	2D	2-3	-	14.9	GRIGIO GREY	03-B
3		1-282003-6	V	2-282003-6	V	-	1-2	-	14.9	VIOLA VIOLET	-
3		1-282003-7	V	-	-	2D	2-3	-	14.9	NERO BLACK	03-B
3		3-282003-3	I	-	-	3D	1-2	-	14.9	-	-
3		3-282003-4	I	-	-	1D - 2S	1-2	-	14.9	-	-
3		3-282003-5	I	-	-	2D - 3S	2-3	-	14.9	-	-
3		3-282003-6	AA	-	-	1S - 1D	1-2	-	14.9	-	-
3		0-282233-2	V	2-282233-2	V	2S - 2D	2-3	-	14.9	-	-
3		1-284396-1	Z	-	-	1S	1-2	-	14.9	-	03-D
3		1-284396-1	Z	-	-	2S	2-3	-	14.9	NERO BLACK	-



THIS DRAWING IS A CONTROLLED DOCUMENT.		DWN G. ENDRIZZI 23 JUL 1995	TE Connectivity MONO-SHAPE MK1 TAB CONNECTORS 2-10 POS.
DIMENSIONS: mm		CHK G. TURCO 23 JUL 1995	
TOLERANCES UNLESS OTHERWISE SPECIFIED:		APVD G. TURCO 23 JUL 1995	
0 PLC ± 1 PLC ± 2 PLC ± 3 PLC ± 4 PLC ± ANGLES ±		NAME	
SEE TABLE		PRODUCT SPEC 108-20065-1, 108-20065-2	RESTRICTED TO
SEE TABLE		APPLICATION SPEC 114-20016, 114-20016-1	SIZE CAGE CODE DRAWING NO
MATERIAL FINISH		WEIGHT	A20779 C-282002
		Customer Drawing	SCALE SHEET 2 OF 6 REV AA40

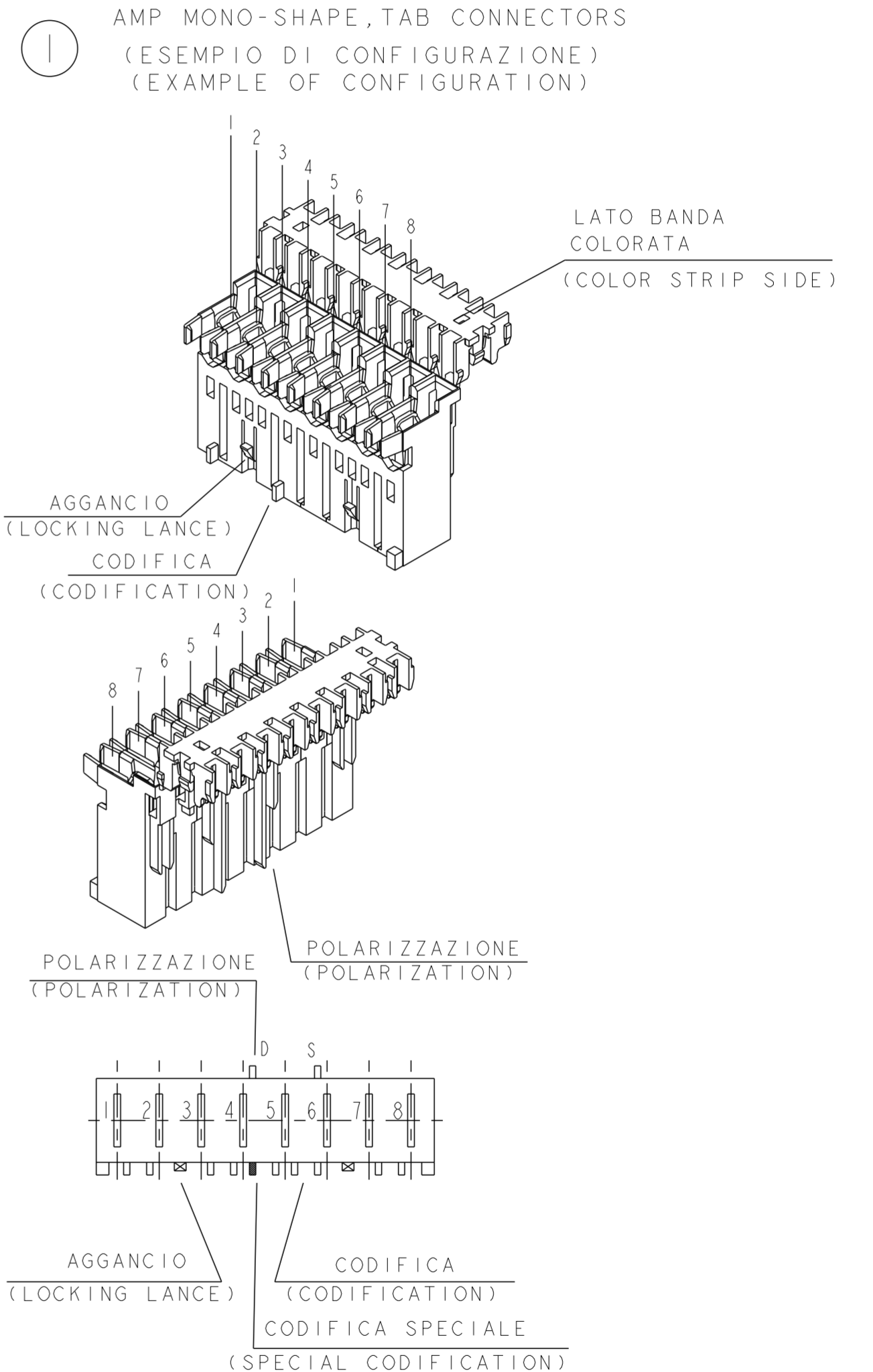
THIS DRAWING IS UNPUBLISHED. RELEASED FOR PUBLICATION
 © COPYRIGHT 2011 ALL RIGHTS RESERVED.

LOC	DIST	REVISIONS			
P	LTR	DESCRIPTION	DATE	DWN	APVD
-	-	SEE SHEET 1			

NUMERO DI VIE NO OF POS	CONFIGURAZIONE (Vista connettore dall'alto) ① CONFIGURATION (View from top side) ①	TE PART NUMBER ASSY CONN.		POSIZIONE POLARIZ. (LATO POSTERIORE)	POSIZIONE AGGANCIO (LATO ANTERIORE)	POSIZIONE CODIFICA SPECIALE (LATO ANTERIORE)	L +0.2 -0.3 (mm) ⑧	NOTE MARCHIATURA CON BANDA COLORATA	POSSIBLE RAST 5 POLARIZ. ⑩
		VERSIONE PEZZI IN VASSOIO	VERSIONE PEZZI SCIOLTI						
4		1-282004-1	V	1D ⑤	1-2 3-4	2D	19.9	GRIGIO GREY	04-A
4		1-282004-2	V	3D ⑤	2-3	-	19.9	NERO BLACK	04-D
4		1-282004-3	V	1D ⑤	1-2 3-4	2D	19.9	ROSSO RED	04-A
4		1-282004-4	S	3D 4D	1-2 3-4	-	19.9	BLU BLUE	-
4		3-282004-4	AA	1S 4D	1-2 3-4	-	19.9	-	04-A
4		4-282004-4	I	1S-1D-2S-2D 3S-3D-4S-4D AS-BD-CS-DD	1-2 3-4	-	19.9	-	-
5		1-282005-1	V	4D ⑤	4-5	-	24.9	ROSSO RED	-
5		1-284545-1	Z	2S ⑤	4-5	-	24.9	ROSSO RED	-
5		1-284545-2	A	1S 5D	- 3-4	3D	24.9	-	-
5		1-284545-3	A	1S 5D	1-2 3-4	-	24.9	BLU BLUE	-
5		1-293003-5	Z	-	4-5	-	24.9	NERO BLACK	-
6		1-282006-2	V	2S 5D	2-3	-	29.9	VIOLA VIOLET	-
6		1-282006-3	V	2S - 3D 4D - 5D	4-5	-	29.9	-	-
6		2-282006-4	V	3D 5D	- 4-5	5S	29.9	NERO BLACK	-
6		1-284745-1	Z	6D ⑤	4-5	-	29.9	ROSSO RED	-
6		1-284745-2	I	6D ⑤	-	4D	29.9	RED	-
6		1-284745-3	AA	5D ⑤	3-4	-	29.9	VIOLET	-
6		1-284745-4	AA	1S ⑤	2-3	-	29.9	ORANGE	-
7		1-282007-1	V	1D ⑤ 5D	1-2 5-6	3S	34.9	-	-
7		2-282007-2	V	4D 6D	- 5-6	6S	34.9	VIOLA VIOLET	-
7		2-282007-3	I	1S - 2S - 2D 3S - 3D - 4D 5S - 6S - 6D 7S - 7D	1-2 5-6	-	34.9	-	-
7		3-282007-2	AA	-	1-2 5-6	5S	34.9	-	-
7		1-284397-1	Z	2D	1-2 5-6	-	34.9	NERO BLACK	-
7		1-293004-7	Z	-	1-2 5-6	-	34.9	ROSSO RED	-
7		2-293004-7	I	-	1-2 5-6	-	34.9	GRIGIO GREY	-
8		0-284085-1	V	2D - 6S 4D - 6D	- 2-3	4S	39.9	-	-
8		0-284085-2	V	-	2-3	-	39.9	VIOLA VIOLET	-

VISTE SOLO PER RIFERIMENTO
 VIEWS ONLY FOR REFERENCE

LEGENDA
 (DESCRIPTION)



THIS DRAWING IS A CONTROLLED DOCUMENT.		DWN G. ENDRIZZI 23 JUL 1995	TE Connectivity MONO-SHAPE MK1 TAB CONNECTORS 2-10 POS.
DIMENSIONS: mm		CHK G. TURCO 23 JUL 1995	
TOLERANCES UNLESS OTHERWISE SPECIFIED: 0 PLC ±, 1 PLC ±, 2 PLC ±, 3 PLC ±, 4 PLC ±, ANGLES ±		APVD G. TURCO 23 JUL 1995	NAME
MATERIAL		PRODUCT SPEC 108-20065-1, 108-20065-2	SIZE
SEE TABLE		APPLICATION SPEC 114-20016, 114-20016-1	CAGE CODE
SEE TABLE		WEIGHT	DRAWING NO
		Customer Drawing	RESTRICTED TO
		SCALE -	SHEET 3 OF 6
		REV AA40	

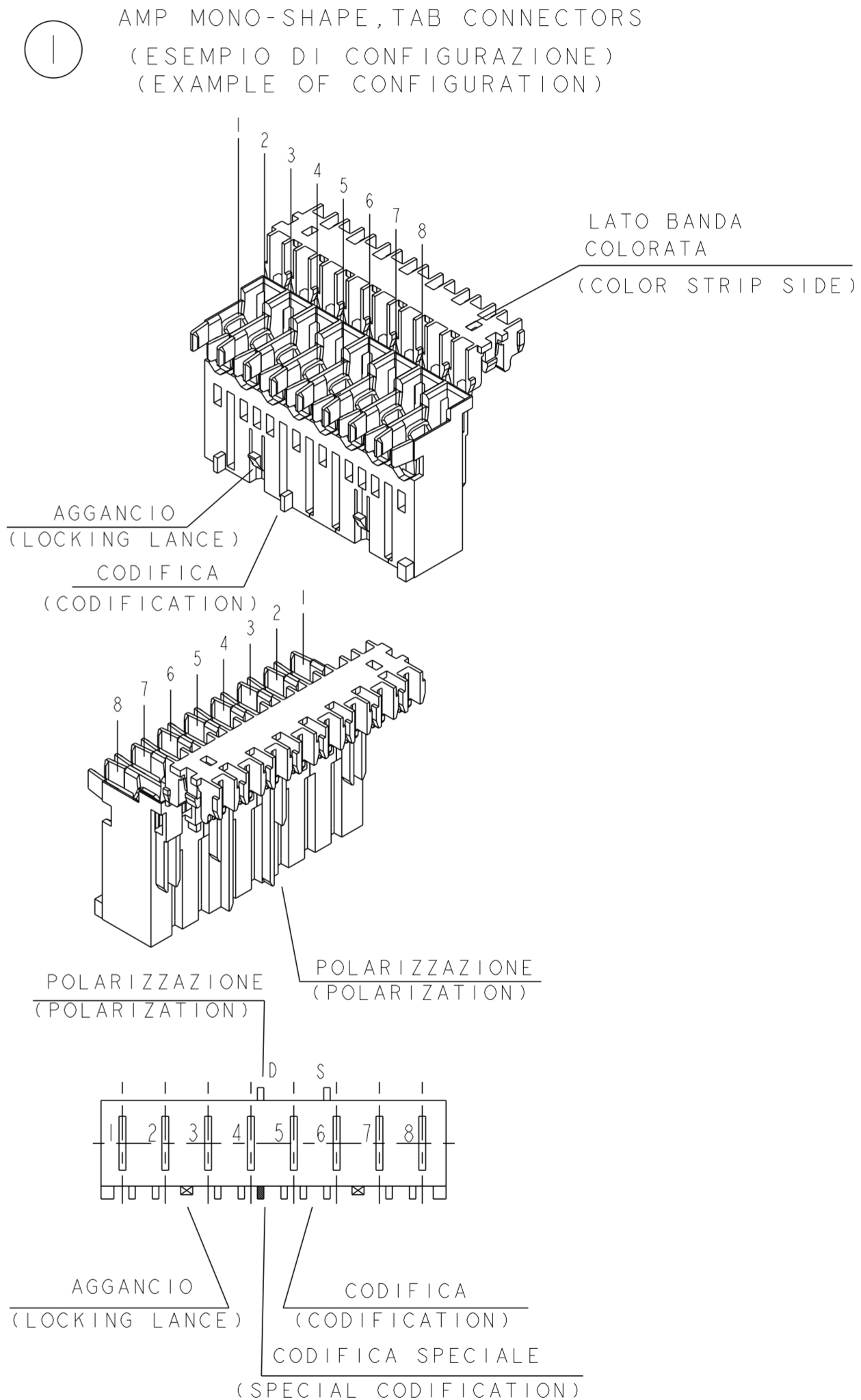
THIS DRAWING IS UNPUBLISHED. RELEASED FOR PUBLICATION
 © COPYRIGHT 2011 ALL RIGHTS RESERVED.

LOC		DIST		REVISIONS			
P	LTR	DESCRIPTION		DATE	DWN	APVD	
-	-	SEE SHEET 1					

NUMERO DI VIE	CONFIGURAZIONE (Vista connettore dall'alto)	TE PART NUMBER ASSY CONN.				POSIZIONE POLARIZ. (LATO POSTERIORE)	POSIZIONE AGGANCIO (LATO ANTERIORE)	POSIZIONE CODIFICA SPECIALE (LATO ANTERIORE)	L +0.2 L -0.3 (mm)	NOTE MARCHIATURA CON BANDA COLORATA
		VERSIONE PEZZI IN VASSOIO	TRAY PACKAGING VERSION	PART REV	VERSIONE PEZZI SCIOLTI					
10		1-282010-1	V	2-282010-1	V	6D 8S	4-5 8-9	6S	49.9	-
10		0-284004-1	V	-	-	6D 8S	4-5 8-9	6S	49.9	-

VISTE SOLO PER RIFERIMENTO
 VIEWS ONLY FOR REFERENCE

LEGENDA
 (DESCRIPTION)



THIS DRAWING IS A CONTROLLED DOCUMENT.		DWN G. ENDRIZZI 23 JUL 1995	TE Connectivity	
DIMENSIONS: mm		CHK G. TURCO 23 JUL 1995		
TOLERANCES UNLESS OTHERWISE SPECIFIED:		APVD G. TURCO 23 JUL 1995	NAME	
0 PLC ±		PRODUCT SPEC	MONO-SHAPE MKI TAB CONNECTORS 2-10 POS.	
1 PLC ±		108-20065-1, 108-20065-2	RESTRICTED TO	
2 PLC ±		APPLICATION SPEC	-	
3 PLC ±		114-20016, 114-20016-1	SIZE	CAGE CODE
4 PLC ±		WEIGHT	A20779	G-282002
ANGLES ±		Customer Drawing	SCALE	SHEET 4 OF 6
FINISH				REV AA40

THIS DRAWING IS UNPUBLISHED. RELEASED FOR PUBLICATION
 © COPYRIGHT 2011 ALL RIGHTS RESERVED.

PA GF, UL-VO GWEPT 750° C NO FLAME, NATURAL

LOC		DIST		REVISIONS			
P	LTR	DESCRIPTION	DATE	DWN	APVD		
-	-	SEE SHEET 1					

No. of POS.	CONFIGURATION ONLY FOR REF	ON TRAY		LOOSE PIECES		SEE SHEET 1 FOR ADDITIONAL DETAILS AND NOTES					
		P/N ASS'Y	PART REV.	P/N ASS'Y	PART REV.	POLARIZ. POSITION (BACK SIDE)	LOCKING POSITION (FRONT SIDE)	SPECIAL CODIFICAT. POSITION (FRONT SIDE)	L (mm)	COLOR CODE	POSSIBLE RAST POLARIZ.
2		2293382-2	AA			1S 2D	1-2	-	9.9		02-B 02-E 02-F
2		1-2293382-2	AA			1S 2D	1-2		9.9	GREEN	02-B 02-E 02-F
2		2-2293382-2	I			1D 2D	1-2		9.9		
2		3-2293382-2	AA			1D 2S	1-2		9.9	BLUE	02-A
2		4-2293382-2	I			1S 1D	1-2		9.9		
2		5-2293382-2	AA			1S 2D	1-2		9.9	GREY	02-B 02-E 02-F
2		6-2293382-2	AA			1D 2S	1-2		9.9		02-A
3		2293382-3	AA			2S	2-3		14.9		
3		1-2293382-3	AA			-	1-2		14.9	VIOLET	
3		2-2293382-3	AA			1D	1-2		14.9	ORANGE	03-A 03-1
3		3-2293382-3	I			1S 1D	1-2		14.9		
3		4-2293382-3	AA			1D 2S 2D 3S	1-2		14.9		
3		5-2293382-3	I			1S 3D	2-3		14.9		
3		6-2293382-3	AA			1S 2S 1D 2D	1-2		14.9		
3		7-2293382-3	AA			1S 3D	1-2		14.9	GREEN	03-F
3		8-2293382-3	I			2D 3D	2-3		14.9		
4		2293382-4	AA			1D	1-2 3-4	2D	19.9	GREY	04-A
4		1-2293382-4	AA			1S 4D	1-2 3-4		19.9		
4		2-2293382-4	I			1D 2S	1-2 3-4		19.9		
4		3-2293382-4	I			1D 2S 3S 4S	1-2 3-4		19.9		

THIS DRAWING IS A CONTROLLED DOCUMENT.		DWN G. ENDRIZZI	23 JUL 1995	TE Connectivity	
DIMENSIONS: mm		CHK G. TURCO	23 JUL 1995		
TOLERANCES UNLESS OTHERWISE SPECIFIED:		APVD G. TURCO	23 JUL 1995	NAME	
0 PLC ±		PRODUCT SPEC		MONO-SHAPE MK1 TAB CONNECTORS 2-10 POS.	
1 PLC ±		108-20065-1, 108-20065-2		SIZE	
2 PLC ±		APPLICATION SPEC		CAGE CODE	
3 PLC ±		114-20016, 114-20016-1		DRAWING NO	
4 PLC ±		WEIGHT		RESTRICTED TO	
ANGLES ±		-		A20779	
FINISH		Customer Drawing		SCALE	
SEE TABLE		SEE TABLE		SHEET 5 OF 6	
				REV AA40	

THIS DRAWING IS UNPUBLISHED. RELEASED FOR PUBLICATION
 © COPYRIGHT 2011 ALL RIGHTS RESERVED.

LOC		DIST		REVISIONS			
P	LTR	DESCRIPTION	DATE	DWN	APVD		
		SEE SHEET 1					

PA GF, UL-V0 GWEPT 750° C NO FLAME, NATURAL

No. of POS.	CONFIGURATION ONLY FOR REF	ON TRAY		LOOSE PIECES		SEE SHEET 1 FOR ADDITIONAL DETAILS AND NOTES					POSSIBLE RAST 5 POLARIZ.
		P/N ASS'Y	PART REV.	P/N ASS'Y	PART REV.	POLARIZ. POSITION (BACK SIDE)	LOCKING POSITION (FRONT SIDE)	SPECIAL CODIFICAT. POSITION (FRONT SIDE)	L (mm)	COLOR CODE	
5		2293382-5	AA			-	4-5	-	24.9		
5		1-2293382-5	AA			-	3-4	3S	24.9		
5		2-2293382-5	I			1S 2D 4D 5D	1-2 4-5	-	24.9		
6		2293382-6	I			TBD	TBD	TBD	29.9		
7		2293382-7	I			-	1-2 5-6	-	34.9		
7		2-2293382-7	I			1S 2S 2D 3S 3D 4D 5S 6S 6D 7S 7D	1-2 5-6		34.9		
8		2293382-8	I			TBD	TBD	TBD	39.9		
9		2293382-9	I			TBD	TBD	TBD	44.9		
10		1-2293382-0	I			6D 8S	4-5 8-9	6S	49.9		

THIS DRAWING IS A CONTROLLED DOCUMENT.		DWN G. ENDRIZZI 23 JUL 1995	TE Connectivity MONO-SHAPE MK1 TAB CONNECTORS 2-10 POS.	
DIMENSIONS: mm		CHK G. TURCO 23 JUL 1995		
TOLERANCES UNLESS OTHERWISE SPECIFIED:		APVD G. TURCO 23 JUL 1995	NAME	
0 PLC ± 1 PLC ± 2 PLC ± 3 PLC ± 4 PLC ± ANGLES ±		PRODUCT SPEC 108-20065-1, 108-20065-2	RESTRICTED TO	
MATERIAL SEE TABLE		APPLICATION SPEC 114-20016, 114-20016-1	SIZE A200779	DRAWING NO C-282002
FINISH SEE TABLE		WEIGHT -	SCALE -	SHEET 6 OF 6 REV AA40