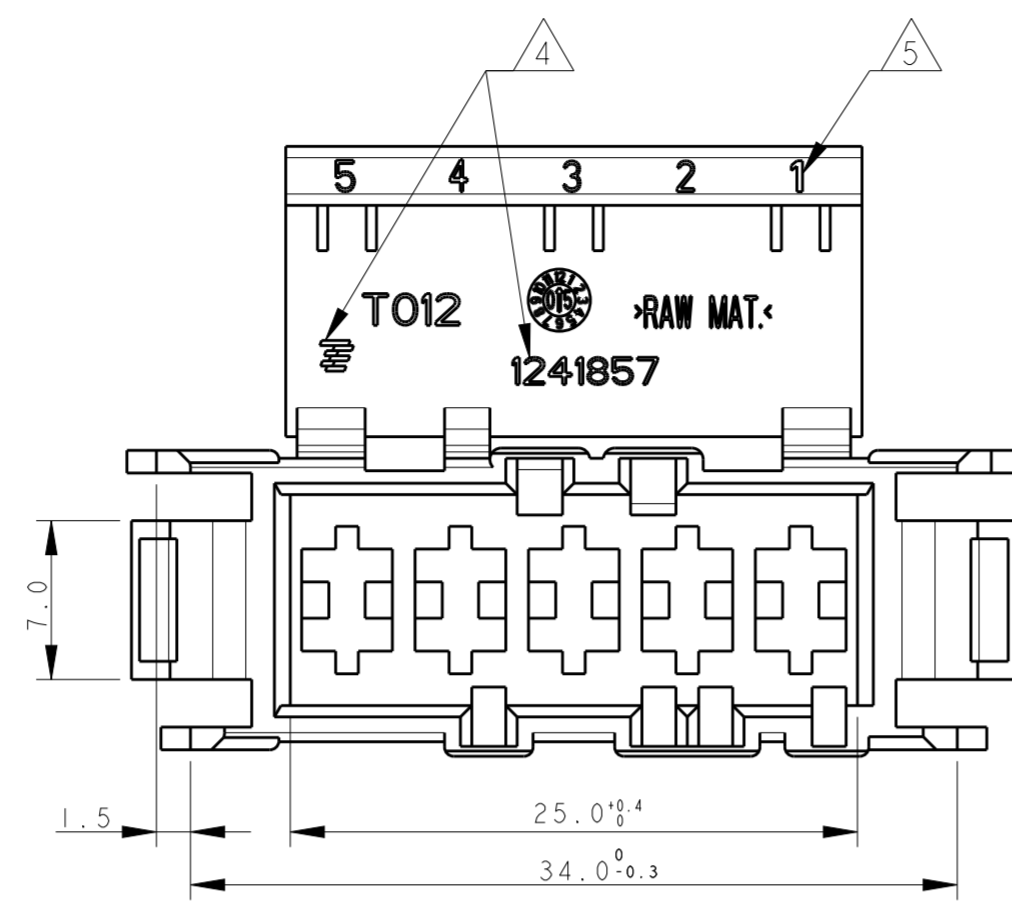
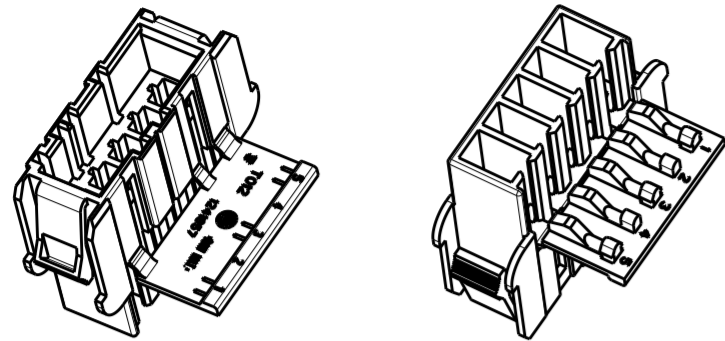


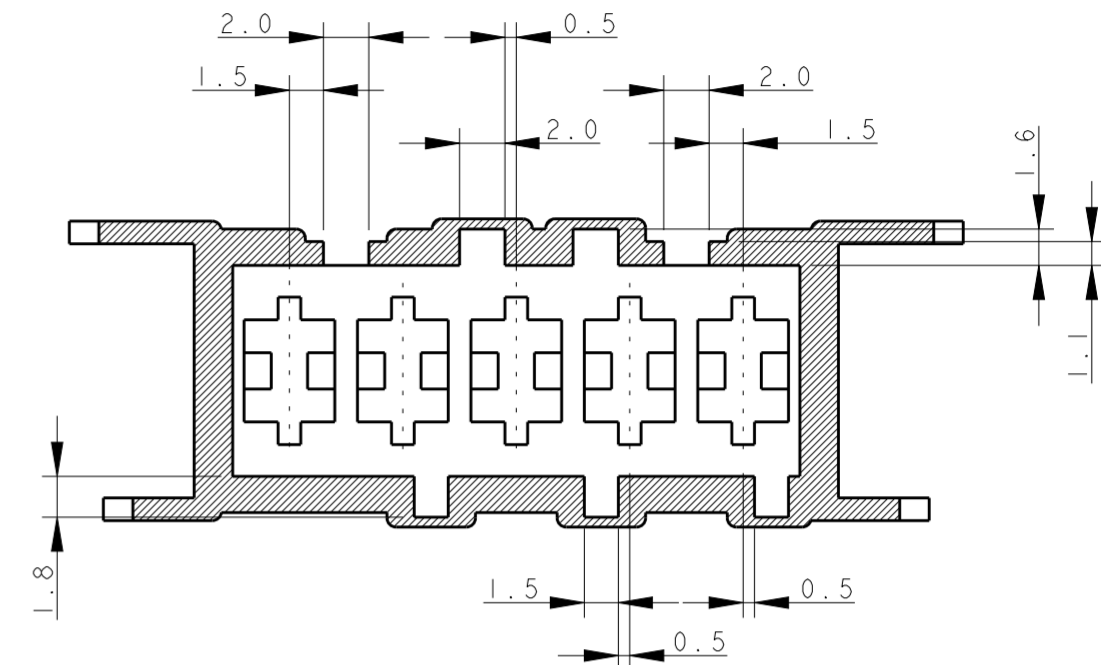
THIS DRAWING IS UNPUBLISHED. RELEASED FOR PUBLICATION 2003
 © COPYRIGHT 2003 BY TYCO ELECTRONICS CORPORATION. ALL RIGHTS RESERVED.

REVISIONS							
LOC	DIST	P	LTR	DESCRIPTION	DATE	DWN	APVD
		D2		PROD. SPEC INFO ADDED	01OCT2010	PKS	MP
		D3		ECR-19-010275	02JUL2019	KD	FL
		D4		ECR-20-001157	13APR2020	KD	FL

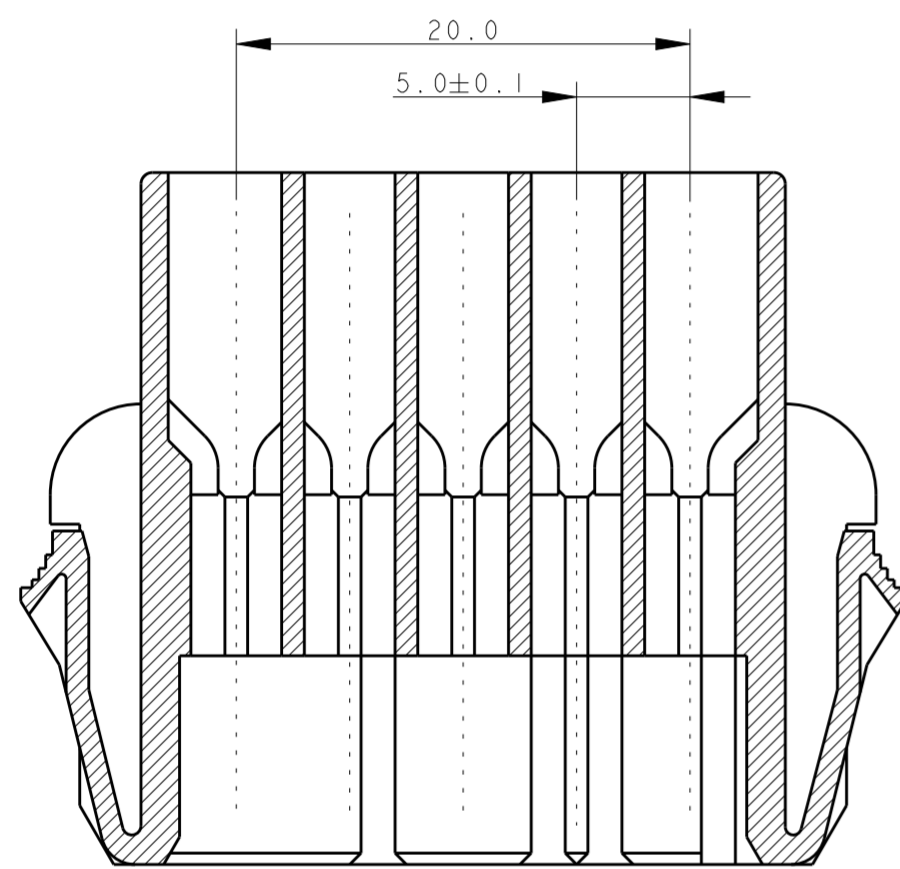
PERSPECTIVE VIEW FOR REF. ONLY SCALE 1:1



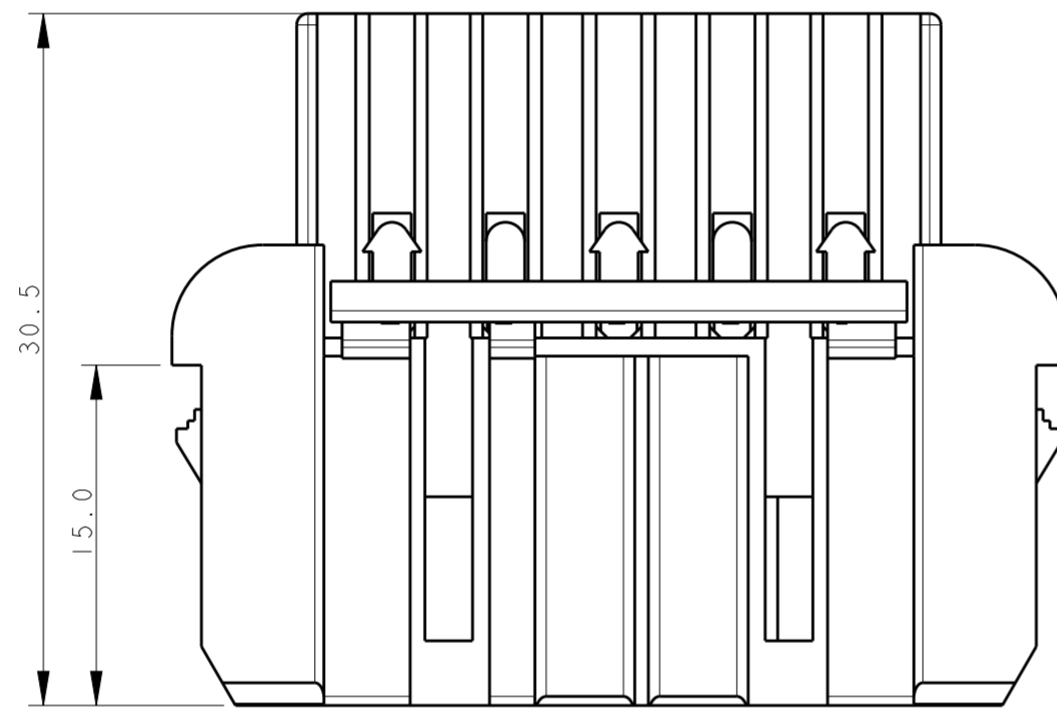
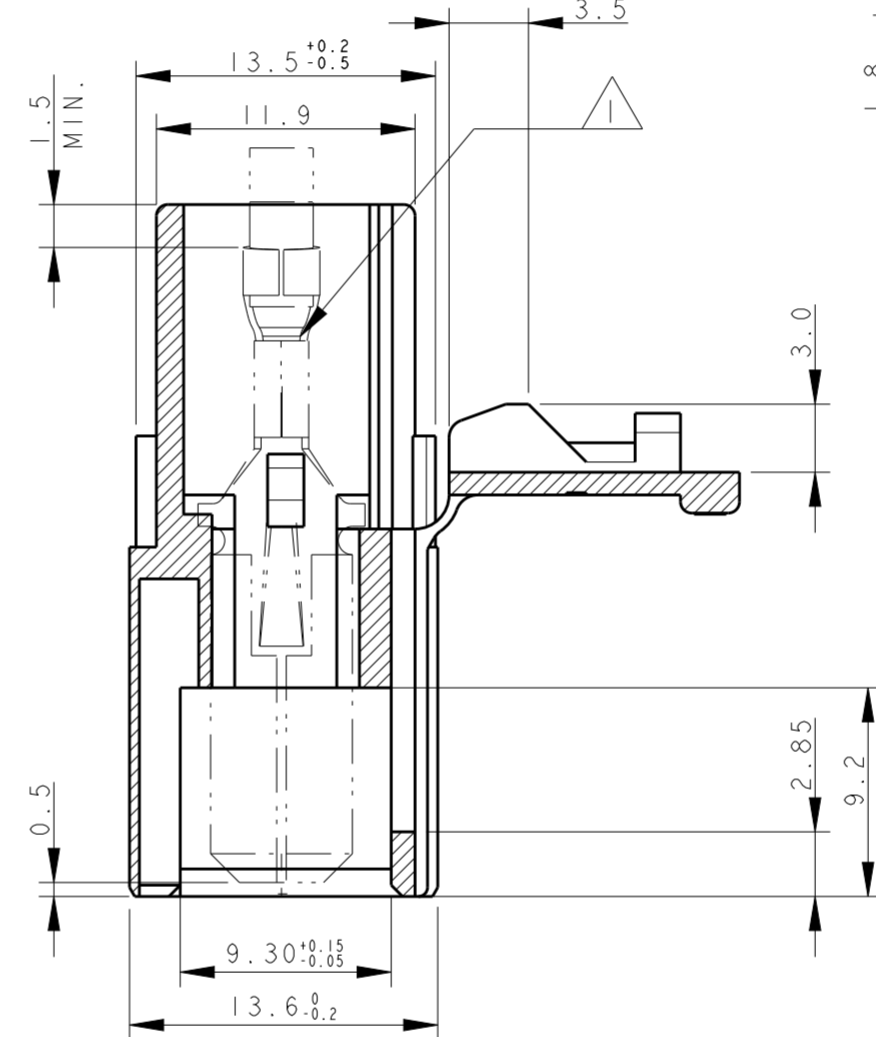
POLARIZATION KEYS SCHEME



SECTION D-D

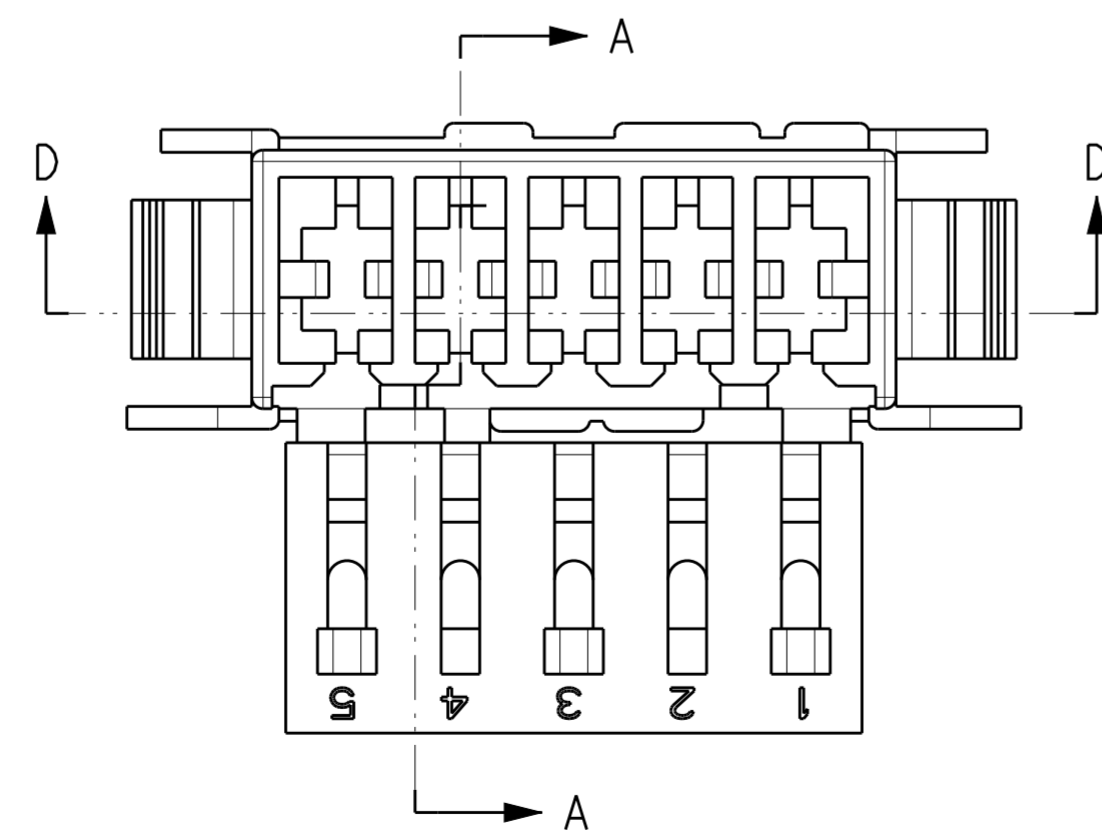
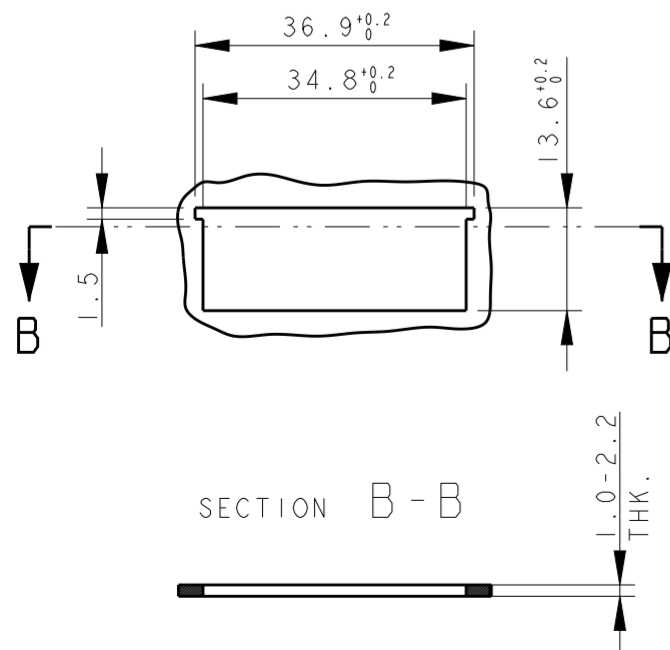


SECTION A-A



- 1 TYPICAL CAVITY SUITABLE FOR:
FASTIN-FASTON TAB CONTACTS 6.3 mm SRS:
P/N: 293041, 0.3-1.0 mm² WIRE RANGE
60294, 0.3-0.8 mm² WIRE RANGE
160691, 0.3-0.8 mm² WIRE RANGE
AMPLIVAR CONTACTS:
P/N: 141051, 0.1-0.5 mm² WIRE RANGE
142411, 0.3-1.6 mm² WIRE RANGE
MAX. INSULATION DIA. 2.8 mm,
MAX. INSULATION CRIMP WIDTH 3.3 mm.
- 2 PA UNFILLED, UL 94-V2, NATURE COLOUR ACCORDING TO IEC 60335-1 NORM.
- 3 PA66 UNFILLED, UL 94-V2, NATURE COLOUR
- 4 TRADEMARK AND PART NUMBER OPTIONAL POSITION.
- 5 CIRCUIT IDENTIFICATION NUMBERS, 1 TO 5.
- 6 POLARIZATION KEYS DIMENSIONS AND POSITIONS ARE ACCORDING TO "RAST 5" NORM RAST CODE 05-B, 05-D.
- 7 PRELIMINARY - NO RELEASED FOR PRODUCTION
- 8 PA66 UNFILLED, UL94-V0, GWEPTE 750°C NO FLAME ACCORDING TO IEC-60335-1

PANEL CUT OFF DIMENSIONS SCALE 1:1



THIS DRAWING IS A CONTROLLED DOCUMENT FOR TYCO ELECTRONICS CORPORATION. IT IS SUBJECT TO CHANGE AND THE CONTROLLING ENGINEERING ORGANIZATION SHOULD BE CONTACTED FOR THE LATEST REVISION.		DWN	H. YAALI	06 JUN 2005	Tyco Electronics Tyco Electronics AMP Italia S.R.L. C.so F.lli Cervi, 15 COLLEGGNO (TO)
DIMENSIONS: mm		CHK	G. TURCO	APVD	
TOLERANCES UNLESS OTHERWISE SPECIFIED:		PRODUCT SPEC	108-20256		NAME
0 PLC	±	APPLICATION SPEC			5POS. FASTIN-FASTON TAB HOUSING RAST 5, PANEL MOUNT VERSION.
1 PLC	±0.3	WEIGHT			SIZE
2 PLC	±	CUSTOMER DRAWING			CAGE CODE
3 PLC	±	SCALE	3:1		DRAWING NO
4 PLC	±	SHEET	1 OF 1		RESTRICTED TO
ANGLES	±°	REV	D4		
FINISH					