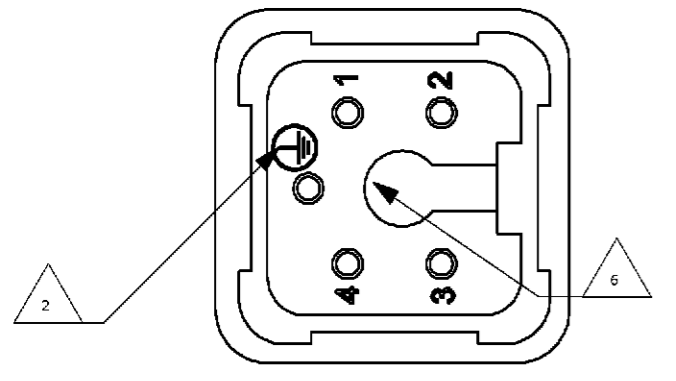


LOC	DIST	REVISIONS ÄNDERUNGEN					
AI	-	P	LTR	DESCRIPTION BESCHREIBUNG	DATE	DWN	APVD
PROJECT NR.	C2	ECR-16-009336			08FEB2017	GCM	MKO

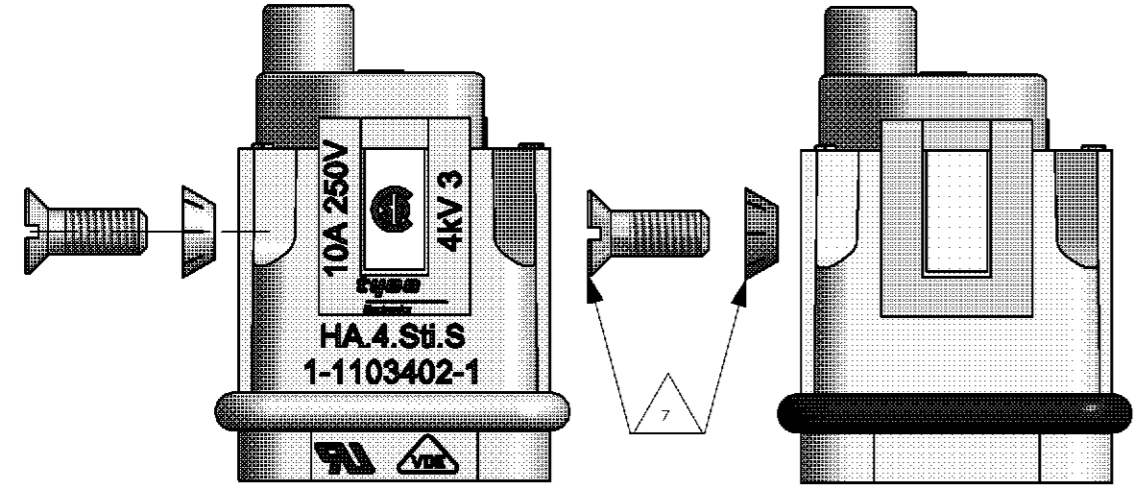
NOTES

- 1 CONTACT: 1 TO 4
SUITABLE SCREW CONTACTS: SERIES HA.3
OUTER DIMENSIONS OF INSULATION: MAX. Ø3,4 MM
- 2 GROUNDING CONTACT:
SUITABLE SCREW CONTACTS: SERIES HA.4
OUTER DIMENSIONS OF INSULATION: MAX. Ø3,4 MM
- 3 SUITABLE HOOD SIZE 1: SERIES HA; HD; EMV AND HIP
- 4 SUITABLE INSERTION AND EXTRACTION TOOL:
SCREWDRIVER 2,0x65
- 5 STANDARDS:
DIN EN 61984; DIN EN 60664-1
- 6 POLARIZATION RIPS
- 7 POS. 8 AND POS.9 PACKED SEPARATE IN POLY BAG
- 8 AUTHORIZATION: UL; CSA; VDE; SEV
- 9 PACKAGING:
10 SETS IN A CARTON, PRE-MOUNTED

CONTACT ARRANGEMENT
VIEW FROM CONNECTING SIDE



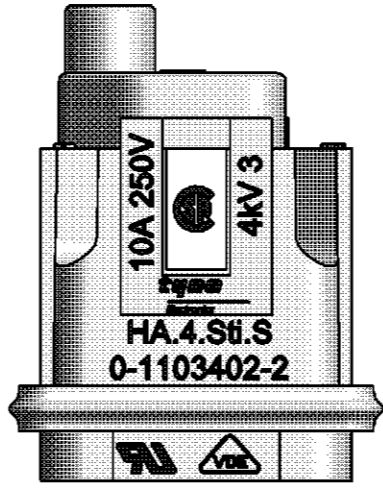
LATERAL PRINT
PN 1-1



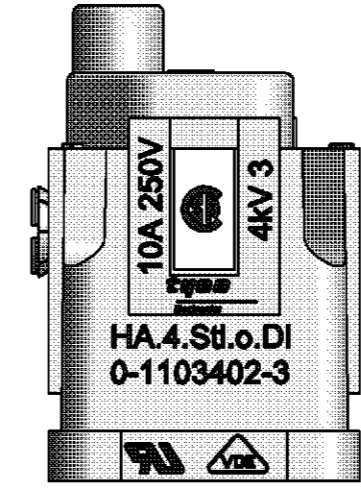
LATERAL PRINT
PN 0-1



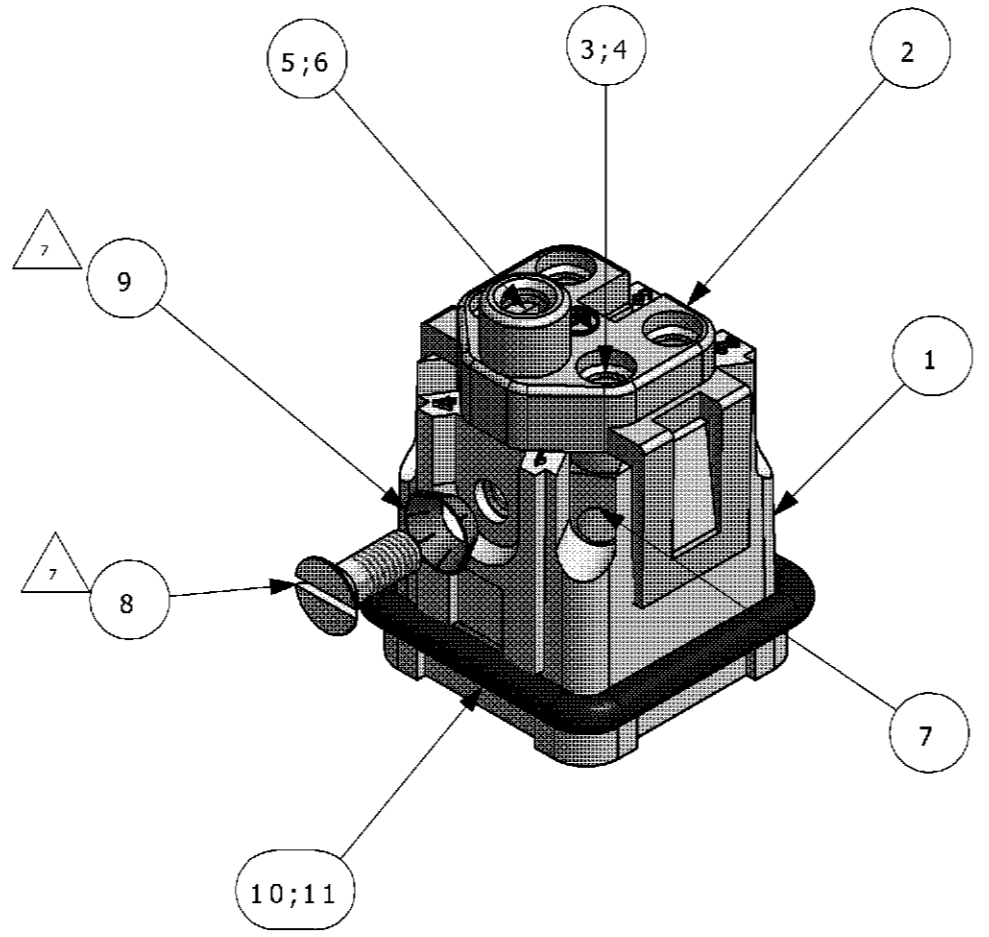
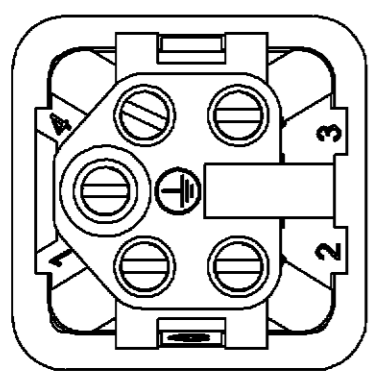
LATERAL PRINT
PN 0-2



LATERAL PRINT
PN 0-3



CONTACT ARRANGEMENT
VIEW FROM TERMINATION SIDE



OBSOLETE	OBSOLETE	OBSOLETE	QTY	DESCRIPTION	MATERIAL	SURFACE	COLOR	ITEM	NOTES
	1		1	PROFILE SEAL	NEOPRENE		BLACK	11	CONDUCTIV
	1	1	1	PROFILE SEAL	NEOPRENE		BLACK	10	
1	1	1	1	SPRING WASHER	STEEL	ZINK PLATED		9	V3.2
1	1	1	1	SLOTTED COUNTER FLAT HEAD SCREW	STEEL	ZINK PLATED		8	M3x8
5	5	5	5	SLOTTED CHEESE HEAD SCREW	BRASS	NICKEL PLATED		7	M3x5.5
		1	1	EARTING CONTACT PIN WITH ANGLE	BRASS	GOLD PLATED		6	
1	1	1	1	EARTING CONTACT SOCKET WITH ANGLE	BRASS	SILVER PLATED		5	
		4	4	CONTACT SOCKET	BRASS	GOLD PLATED		4	
4	4	4	4	CONTACT SOCKET	BRASS	SILVER PLATED		3	
1	1	1	1	COVER	PC		BEIGE	2	
1	1	1	1	MALE INSERT	PC		BEIGE	1	
0-3	0-2	0-1	1-1	DESCRIPTION	MATERIAL	SURFACE	COLOR	ITEM	NOTES
				HA.4.Sti.S					
				HA.4.Sti.S-AU					
				HA.4.Sti.S					
				HA.4.Sti.S.o.Di					

THIS DRAWING IS A CONTROLLED DOCUMENT FOR AMP INCORPORATED. IT IS SUBJECT TO CHANGE AND THE CONTROLLING ENGINEERING ORGANIZATION SHOULD BE CONTACTED FOR THE LATEST REVISION. DIESSES ZEICHNUNGSDOKUMENT WIRD DURCH AMP INCORPORATED KONTROLLIERT. ÄNDERUNGEN, DIE DEN TECHNISCHEN FORDERUNGEN ENTSPRECHEN, SIND VORZUZIEHEN. DEN TUNGEWISSEN LETZTÜBELTIGEN ANFORDERUNGSSTAND ERFAHREN SIE AUF ANFRAGE.

DIMENSIONS: DIMENSIONEN: m m

TOLERANCES UNLESS OTHERWISE SPECIFIED: ALLGEMEIN TOLERANZEN
 m: ISO 8013 - m: H-E
 m: ISO 2768 - m: DIN 16901-140
 0 PLC #
 1 PLC #
 2 PLC #
 3 PLC #
 ANGLES / WINKEL #

MATERIAL FINISH / OBERFLÄCHE / FARBE

WIGHT / GEWICHT 0,0012 KG

DWN H.BRAUN 29.07.1997
 CHK SCHWEIGER 29.07.1997
 APVD T.SCHNURPFEL 27.03.2006
 NAME MALE INSERT
 HA.4.STI.S
 PRODUCT SPEC. 108-74008
 APPLICATION SPEC. 114-74010
 VERARBEITUNGSSPEZ.

SCALE / MASSSTAB 1:1
 SHEET / BLATT 1 OF / VON 1
 REV. C2

CUSTOMER DRAWING / KUNDENZEICHNUNG