

6-1437373-7 ✓ ACTIVE

MADISON CABLE

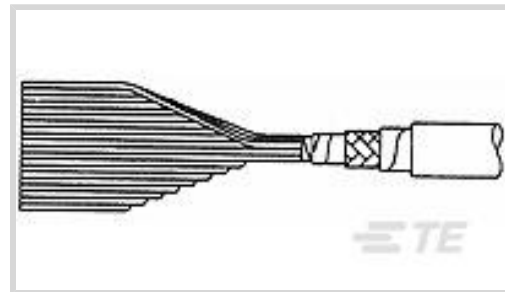
TE Internal #: 6-1437373-7

Ribbon & Flat Cable, 40 Conductor, PVC, Operating Temperature Range -40 – 80 °C, Ribbon & Flat Cable Length 100 ft [30.5 m], Gray, Tinned Copper

[View on TE.com >](#)



Wire & Cable > Ribbon & Flat Cable



Number of Ribbon & Flat Cable Conductors: **40**

Ribbon & Flat Cable Shielded: **No**

Ribbon & Flat Cable Insulation Material: **PVC**

Operating Temperature Range: **-40 – 80 °C**

Ribbon & Flat Cable Length: **30.5 m [100 ft]**

Features

Product Type Features

Product Category	Ribbon Cable
Product Type	Cable
Cable Type	Round to Flat Cable
Wire/Cable Type	Ribbon Cable
Product Classification	Cable - Flat Ribbon
Ribbon & Flat Cable Shielded	No

Configuration Features

Number of Ribbon & Flat Cable Conductors	40
Number of Strands	7

Electrical Characteristics

Propagation Delay	4.4 ns/m
Current Rating	2 A
Capacitance	81 pF/m
Impedance	63 Ω
Ribbon & Flat Cable Voltage Rating	300 V

Signal Characteristics

Cross Talk (Far End)	4.8 %
Cross Talk (Near End)	3.8 %



Body Features

Jacket Color	Gray
Jacket Material	PVC
Ribbon & Flat Cable Insulation Material	PVC
Conductor Insulation Color	Gray
Ribbon & Flat Cable Conductor Material	Tinned Copper

Housing Features

Ribbon & Flat Cable Centerline	1.27 mm[.05 in]
--------------------------------	-----------------

Dimensions

Cable Insulation Height	.91 mm[.036 in]
Cable Insulation Width	50.8 mm[2 in]
Ribbon & Flat Cable Length	30.5 m[100 ft]
Wire Size	.08 mm ²
Strand Size	36 AWG

Usage Conditions

Operating Temperature Range	-40 – 80 °C
-----------------------------	-------------

Industry Standards

Agency/Standard	UL
UL Listing	AWM Style 20267

Packaging Features

Packaging Method	Reel
Packaging Quantity	30.5 m[100 ft]

Product Compliance

[For compliance documentation, visit the product page on TE.com>](#)

EU RoHS Directive 2011/65/EU	Not Yet Reviewed
EU ELV Directive 2000/53/EC	Compliant
China RoHS 2 Directive MIIT Order No 32, 2016	No Restricted Materials Above Threshold
EU REACH Regulation (EC) No. 1907/2006	Current ECHA Candidate List: JAN 2021 (211) Candidate List Declared Against: JAN 2017 (173) SVHC > Threshold: Not Yet Reviewed

Halogen Content

Not Yet Reviewed for halogen content

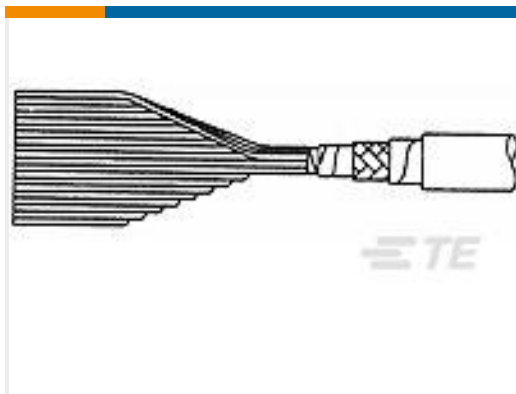
Solder Process Capability

Not applicable for solder process capability

Product Compliance Disclaimer

This information is provided based on reasonable inquiry of our suppliers and represents our current actual knowledge based on the information they provided. This information is subject to change. The part numbers that TE has identified as EU RoHS compliant have a maximum concentration of 0.1% by weight in homogenous materials for lead, hexavalent chromium, mercury, PBB, PBDE, DBP, BBP, DEHP, DIBP, and 0.01% for cadmium, or qualify for an exemption to these limits as defined in the Annexes of Directive 2011/65/EU (RoHS2). Finished electrical and electronic equipment products will be CE marked as required by Directive 2011/65/EU. Components may not be CE marked. Additionally, the part numbers that TE has identified as EU ELV compliant have a maximum concentration of 0.1% by weight in homogenous materials for lead, hexavalent chromium, and mercury, and 0.01% for cadmium, or qualify for an exemption to these limits as defined in the Annexes of Directive 2000/53/EC (ELV). Regarding the REACH Regulations, TE's information on SVHC in articles for this part number is still based on the European Chemical Agency (ECHA) 'Guidance on requirements for substances in articles' (Version: 2, April 2011), applying the 0.1% weight on weight concentration threshold at the finished product level. TE is aware of the European Court of Justice ruling of September 10th, 2015 also known as O5A (Once An Article Always An Article) stating that, in case of 'complex object', the threshold for a SVHC must be applied to both the product as a whole and simultaneously to each of the articles forming part of its composition. TE has evaluated this ruling based on the new ECHA "Guidance on requirements for substances in articles" (June 2017, version 4.0) and will be updating its statements accordingly.

Compatible Parts



TE Part # 4-1437373-2
1437373

Customers Also Bought



TE Part #3-1625999-5
Power Resistors: Aluminum Housed, HSC



TE Part #2-1630186-7
Power Resistors: Aluminum Housed, HSA



TE Part #4-1879355-6
RR03 5% 330K AMMO



TE Part #4-647000-2
12P MTA100 PSTD CONN ASSY LF



TE Part #T2050202101-000
HEEE-020-M



TE Part #3-1393813-0
CRADLE S RELAY V23054



TE Part #1-1971921-3
2/3P, RAST 2.5 Tab Header, Ex- Locking, THV



TE Part #3-1614891-1
CPF 0805 143R 0.1% 25PPM 1K RL



Documents

Product Drawings

[301-40=40P 28AWG ST](#)

English

Datasheets & Catalog Pages

[ROUND TO FLAT JACKETED CABLE SHIELDED / UNSHIELDED ANSLEY SERIES 300 / 301](#)

English