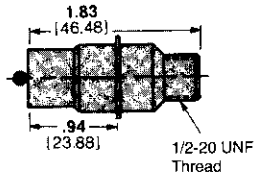


Glass-Epoxy Receptacles with 1.69 [42.93] Barrel Depth

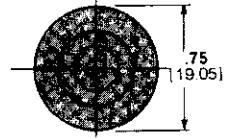
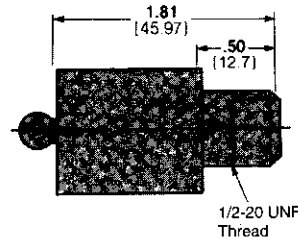
Flanged, for Hermetic Seal Part Number 861255-1

Weight — 17 grams



For Encapsulated Units Part Number 858868-1

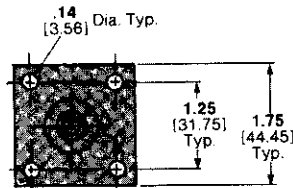
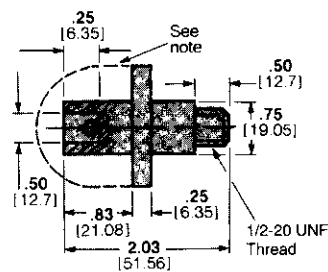
Weight — 15 grams



These receptacles are for use with RFI Shielded Leads shown on the preceding page.

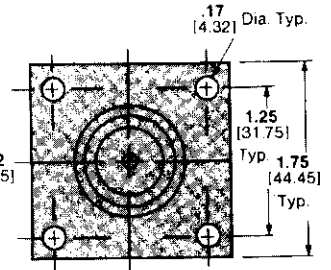
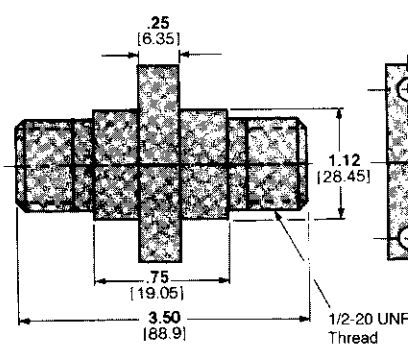
Flanged, Bolt Mount Part Number 846814-1

Weight — 32 grams



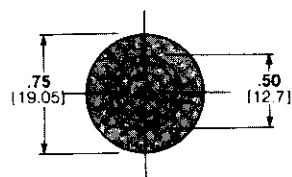
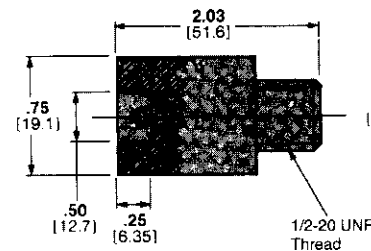
Bolt-mount, Feed-through Part Number 858873-1

Weight — 70 grams



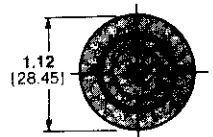
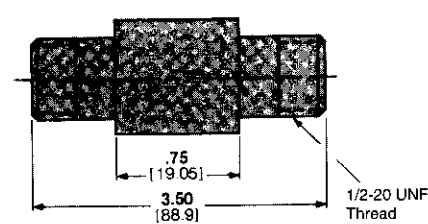
With Recessed Terminal for Encapsulated Units Part Number 859058-3

Weight — 16 grams



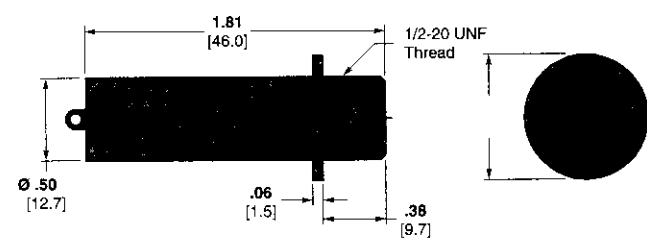
Splice Part Number 858030-1

Weight — 52 grams



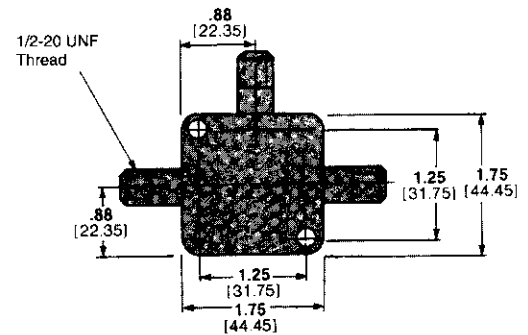
Flanged Receptacle Part Number 449925-1

Color — Red



T-Shape Connector Part Number 830699-1

Weight — 110 grams



Note: If the panel or mounting hardware is at ground potential, guard against arc-over and breakdown within the area defined by this line.

Receptacles are available with gold plated contacts.