

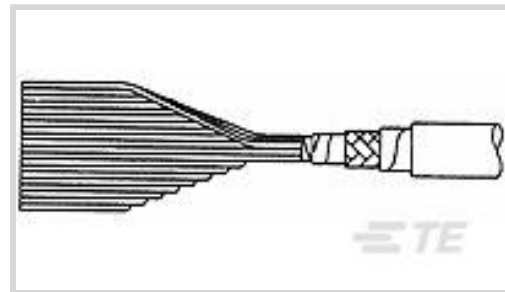
**MADISON CABLE**

TE Internal #: 4-1437373-5

Ribbon & Flat Cable, 9 Conductor, PVC, Operating Temperature Range -40 – 80 °C, Ribbon & Flat Cable Length 328 ft [100 m], Gray, Tinned Copper

[View on TE.com >](#)

Wire &amp; Cable &gt; Ribbon &amp; Flat Cable

Number of Ribbon & Flat Cable Conductors: **9**Ribbon & Flat Cable Shielded: **No**Ribbon & Flat Cable Insulation Material: **PVC**Operating Temperature Range: **-40 – 80 °C**Ribbon & Flat Cable Length: **100 m [ 328 ft ]****Features****Product Type Features**

Product Category	Ribbon Cable
Product Type	Cable
Cable Type	Round to Flat Cable
Wire/Cable Type	Ribbon Cable
Product Classification	Cable - Flat Ribbon
Ribbon & Flat Cable Shielded	No

**Configuration Features**

Number of Ribbon & Flat Cable Conductors	9
Number of Strands	7

**Electrical Characteristics**

Propagation Delay	4.4 ns/m
Current Rating	2 A
Capacitance	81 pF/m
Impedance	63 Ω
Ribbon & Flat Cable Voltage Rating	300 V

**Signal Characteristics**

Cross Talk (Far End)	4.8 %
Cross Talk (Near End)	3.8 %



### Body Features

Jacket Color	Gray
Jacket Material	PVC
Ribbon & Flat Cable Insulation Material	PVC
Conductor Insulation Color	Gray
Ribbon & Flat Cable Conductor Material	Tinned Copper

### Housing Features

Ribbon & Flat Cable Centerline	1.27 mm[.05 in]
--------------------------------	-----------------

### Dimensions

Cable Insulation Height	.91 mm[.036 in]
Cable Insulation Width	11.43 mm[.45 in]
Ribbon & Flat Cable Length	100 m[328 ft]
Wire Size	.08 mm <sup>2</sup>
Strand Size	36 AWG

### Usage Conditions

Operating Temperature Range	-40 – 80 °C
-----------------------------	-------------

### Industry Standards

Agency/Standard	UL
UL Listing	AWM Style 20267

### Packaging Features

Packaging Method	Reel
Packaging Quantity	30.48 m[328.1 ft]

### Product Compliance

[For compliance documentation, visit the product page on TE.com>](#)

EU RoHS Directive 2011/65/EU	Not Yet Reviewed
EU ELV Directive 2000/53/EC	Compliant
China RoHS 2 Directive MIIT Order No 32, 2016	No Restricted Materials Above Threshold
EU REACH Regulation (EC) No. 1907/2006	Current ECHA Candidate List: JAN 2021 (211) Candidate List Declared Against: JAN 2017 (173) SVHC > Threshold: Not Yet Reviewed

Halogen Content

Not Yet Reviewed for halogen content

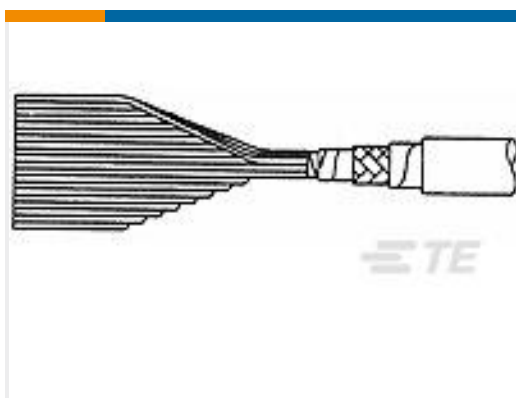
Solder Process Capability

Not applicable for solder process capability

Product Compliance Disclaimer

This information is provided based on reasonable inquiry of our suppliers and represents our current actual knowledge based on the information they provided. This information is subject to change. The part numbers that TE has identified as EU RoHS compliant have a maximum concentration of 0.1% by weight in homogenous materials for lead, hexavalent chromium, mercury, PBB, PBDE, DBP, BBP, DEHP, DIBP, and 0.01% for cadmium, or qualify for an exemption to these limits as defined in the Annexes of Directive 2011/65/EU (RoHS2). Finished electrical and electronic equipment products will be CE marked as required by Directive 2011/65/EU. Components may not be CE marked. Additionally, the part numbers that TE has identified as EU ELV compliant have a maximum concentration of 0.1% by weight in homogenous materials for lead, hexavalent chromium, and mercury, and 0.01% for cadmium, or qualify for an exemption to these limits as defined in the Annexes of Directive 2000/53/EC (ELV). Regarding the REACH Regulations, TE's information on SVHC in articles for this part number is still based on the European Chemical Agency (ECHA) 'Guidance on requirements for substances in articles' (Version: 2, April 2011), applying the 0.1% weight on weight concentration threshold at the finished product level. TE is aware of the European Court of Justice ruling of September 10th, 2015 also known as O5A (Once An Article Always An Article) stating that, in case of 'complex object', the threshold for a SVHC must be applied to both the product as a whole and simultaneously to each of the articles forming part of its composition. TE has evaluated this ruling based on the new ECHA "Guidance on requirements for substances in articles" (June 2017, version 4.0) and will be updating its statements accordingly.

### Compatible Parts



TE Part # 4-1437373-2  
1437373

### Customers Also Bought



TE Part #1558671-8  
PCB Power Relay: 30 amp, Monostable DC



TE Part #BM3041-000  
CPGI-B-106-2503/1503-5



TE Part #1625888-2  
2W STD M/OX 5% 180R



TE Part #284415-8  
TERMI-BLOK 900 PCB 8 POS. 3,81



TE Part #2-2329328-0  
PB OFF/ON HC BLU M4 TERM. IP68



TE Part #2-2176416-1  
9W STD M/OX 5% 360R



TE Part #1-2273035-3  
M12 A-CODE FEMALE STRAIGHT PIGTAIL



TE Part #2-2303816-4  
DEUTSCH DT HOUSINGS



## Documents

### Product Drawings

[301-09-100M=09P 28A](#)

English

### Datasheets & Catalog Pages

[ROUND TO FLAT JACKETED CABLE SHIELDED / UNSHIELDED ANSLEY SERIES 300 / 301](#)

English