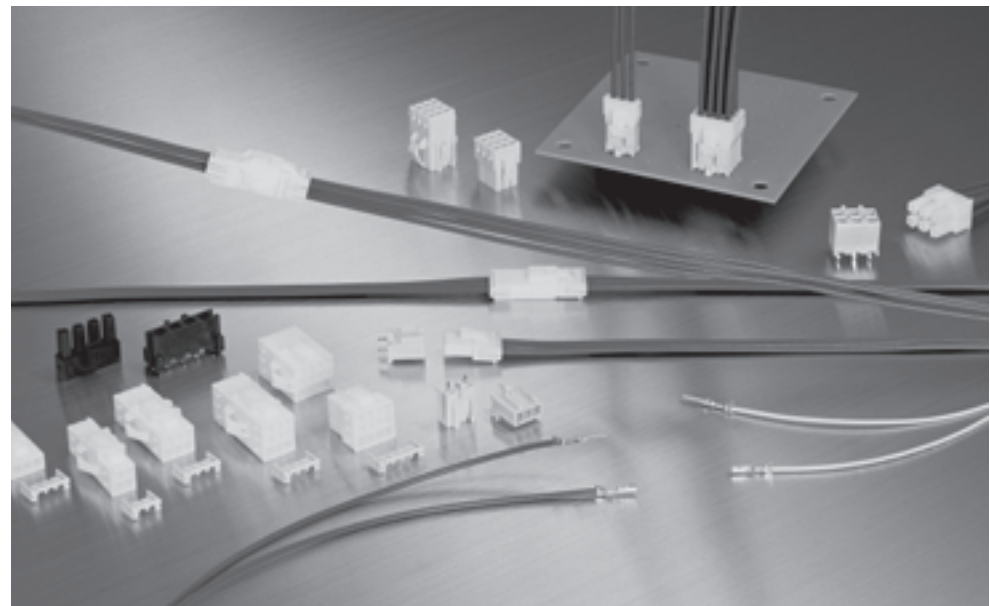


### Power Double Lock (PDL) Connectors (Wire-to-Board and Wire-to-Wire)

#### Product Facts

- Power circuit connectors of compact design
- Uses double lock plate on the wire side that helps prevent partial mating of contacts
- Double lock plate compatible with high-count positions of more than 3 rows
- Tab and receptacle contacts resist scooping of contacts at mating / unmating
- Locking of plug to cap housings and plug to board-mounted headers made by the semi-inner locking system that helps preclude the possibility of disengagement by external pressure
- Both wire-to-wire and wire-to-board applications available from the same Series lineup
- Board-mounted header compatible with resin coating, causing no hindrance with the plug locking function
- Design complies with a range of safety standards
- The housing lance design provides no lance on contacts and helps prevent entanglement of contacts with one another
- Fully polarized
- The following contact centerline by row centerline arrangements available:
  - For wire-to-wire application:  
3.96 mm x 4.6 mm
  - For wire-to-board application:  
3.96 mm x 4.6 mm  
7.92 mm x 4.6 mm  
6.5 mm x 6.5 mm
- Recognized under the Component Program of Underwriters Laboratories Inc., File No. E28476
- Certified by Canadian Standards Association, File No. LR7189
- VDE Approved, File No. B 04 11 39175010



Power Double Lock Connectors are compact connectors designed for use in power circuit applications and are ideally suited for wiring in refrigerators, air conditioners, washing machines, gas equipment, copying machines and automatic vending machines. These connectors can be used alone by inserting wire-terminated crimp snap-in contacts into the housing. However, to achieve more positive contact mounting, plug and cap housings can be equipped with a double lock plate that helps to completely insert contacts. There are three contact centerline spacings available: 3.96 mm, 6.5 mm and 7.92 mm. Of these, the 7.92 mm centerline contact arrangement is for 2-position board-mounted headers. The mating wire-mounted plug connector uses the second circuit of the 3-position 3.96 mm centerline housing with no contact loaded. Available with the 3.96 mm centerline contact arrangement are wire-mounted plug housings and the mating wire-mounted cap housings (for free-hanging and panel-mount-

ed applications) and board-mounted tab headers.

The 6.5 mm centerline contact arrangement is used in wire-mounted plug housings and the mating board-mounted tab headers. The plug housings are loaded with receptacle contacts and the cap housings with tab contacts. The tab headers for board mounting are preloaded with solder-dipping tab contacts with tail.

Contacts accept two wire size ranges: 28-22 AWG (with insulation outer diameter of 1.3 to 2.0 mm) and 20-18 AWG (with insulation outer diameter of 2.0 to 3.1 mm).

The tab header for board mounting has a locking mechanism where it is compatible with resin coating that is applied to the board for waterproof.

It is designed to work with the plug locking function.

The solder tail section of tab contact has kink feature.

Interacting with the mounting boss with kink feature, the solder tab secures the header on the board firmly during soldering.

The double lock plate is compatible with high-count positions of more than 3 rows. Also, the housing lance design of this connector, featuring no lance on contacts, makes handling of the connector very easy, as there is minimal entanglement of contacts with one another.

#### Performance Characteristics

**Voltage Rating**—300 VAC (for 3.96 mm wire-to-wire, 6.5 mm wire-to-board and 7.92 mm wire-to-board applications)  
50 VAC (for 3.96 mm wire-to-board application)

**Current Rating**—10A max. (Using 16 AWG wire on 2-position connector)

**Fine Rating**—1 mV, 1µA min.

**Operating Temperature**—  
-30° ~ +105°C

#### Technical Documents

##### Product Specifications

108-5410  
108-5439 (SMT)

##### Application Specification

114-5175

##### Instruction Sheet

411-5638

High Density  
.156 [3.96], .256 [6.50], .312 [7.92] and .512 [13.00] Centerlines

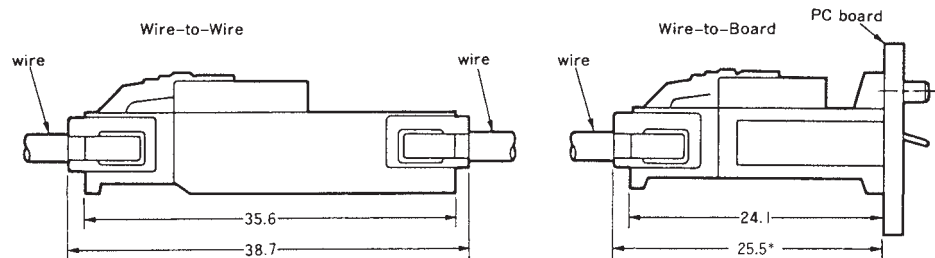
**Quick Reference Chart for Mating Part Numbers**

**Quick Reference Chart**

Plug Connector (Wire Side)			Mating Connectors (Wire and PC Board Mount Side)		
No. of Pos.	Housing Part No.	Part No. of Applicable Double Lock Plate	No. of Pos.	Part No. of Cap Housing and Tab Header	Part No. of Applicable Double Lock Plate
<b>■ 3.96mm and 7.92mm Centerline</b>					
1	316768-□	316770-1x1	1	316769-□ (Free Hanging)	316770-1x1
2	177898-□	177918-1x1	2	179463-□ (Free Hanging)	177918-1x1
				177906-□ (Panel Mount)	
3	177899-□	177919-1x1	3	179838-□ (PC Board Mount)	177919-1x1
				179464-□ (Free Hanging)	
				177907-□ (Panel Mount)	
4 (1 Row)	316501-□	177920-1x1	4	179839-□ (PC Board Mount)	177920-1x1
				179844-□ (PC Board Mount 7.92 mm Centerline)	
4 (2 Rows)	177900-□	177918-1x2	4	316502-□ (Panel Mount)	177918-1x2
				179465-□ (Free Hanging)	
6	177901-□	177919-1x2	6	177908-□ (Panel Mount)	177919-1x2
				179840-□ (PC Board Mount)	
				179466-□ (Free Hanging)	
8	177902-□	177920-1x2	8	177909-□ (Panel Mount)	177920-1x2
				179841-□ (PC Board Mount)	
9	177903-□	177919-1x3	9	179467-□ (Free Hanging)	177919-1x3
10	177904-□	177921-1x2	10	917845-□ (PC Board Mount)	177921-1x2
12	177905-□	177920-1x3	12	177911-□ (Panel Mount)	177920-1x3
				177912-□ (Panel Mount)	
<b>■ 6.5 mm and 13.0 mm Centerline</b>					
3	179938-□	316062-1x1	3	177913-□ (Panel Mount)	—
				179843-□ (PC Board Mount)	
4 (1 Row)	179939-□	316063-1x1	4	179944-□ (PC Board Mount/SMT)	—
				917745-□ (PC Board Mount 13 mm Centerline)	
4 (2 Rows)	179861-□	316061-1x2	4	179847-□ (PC Board Mount)	—
				179945-□ (PC Board Mount/SMT)	
6	179862-□	316062-1x2	6	179848-□ (PC Board Mount)	—
12	917354-□	353891-1x2	12	179849-□ (PC Board Mount)	—
				917353-□ (PC Board Mount)	—

\*For details on 6.5 mm and 13.0 mm Centerline products, contact Technical Support

**Note: All part numbers are RoHS Compliant.**



**Note:** All dimensions shown are metric.

**Power Double Lock (PDL) Connectors (Wire-to-Board and Wire-to-Wire) (Continued)**

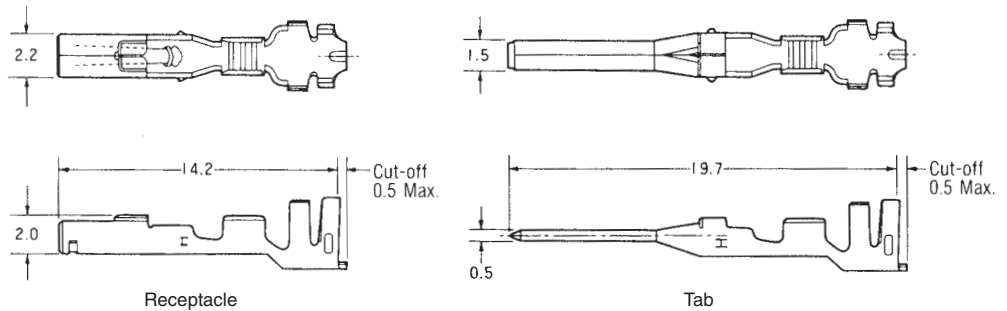
**Contacts and Product Composition**

**Contacts**

**Material and Finish**

Pre-tinned copper alloy

Receptacle for Plug Housing,  
Tab for Cap Housing



Wire Range		Ins. Dia. (Note)	Contact Part No.				CERTI-CRIMP II Hand Tool Part No.
			Receptacle		Tab		
AWG	mm <sup>2</sup>		Strip Form	Loose Piece	Strip Form	Loose Piece	
26-22	0.14-0.34	1.30-2.00	177914-1	179592-1	177916-1	179594-1	91567-1
			177914-2*	179592-2*			
20-16	0.51-1.38	2.00-3.10	177915-1	179593-1	177917-1	179595-1	91569-1
			177915-2*	179593-2*			

**Note:** Maximum diameter is 2.8 mm when Double Lock Plate is used.

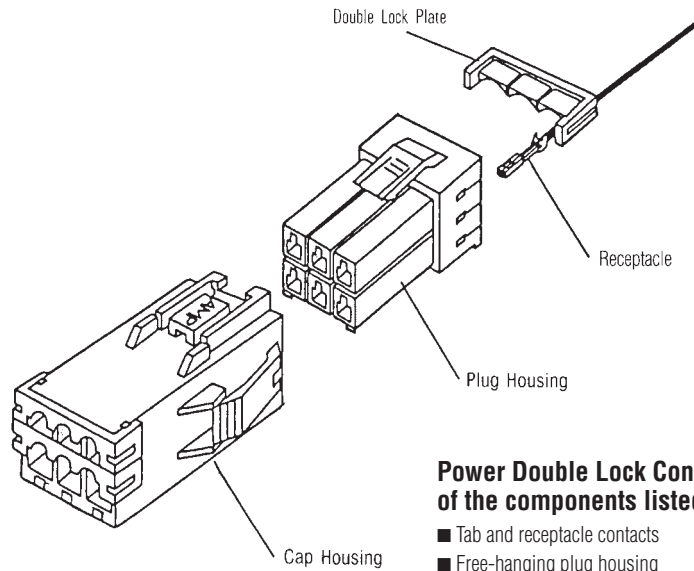
\*Part Number suffix -2 represents high contact pressure type.

Extraction Tool P/N : 234912-1 (For receptacle contact)  
234914-1 (For tab contact)

**Note:** Contact the Tooling Assistance Center (TAC) at 1-800-722-1111 for Applicator Part Number.



**Product Composition**



**Power Double Lock Connector is composed of the components listed below:**

- Tab and receptacle contacts
- Free-hanging plug housing
- Free-hanging cap housing
- Panel-mount cap housing
- PC Board-mount tab header
- Double Lock Plate

**Note:** All dimensions shown are metric.

**Note:** All part numbers are RoHS Compliant.

High Density  
.156 [3.96], .256 [6.50], .312 [7.92] and .512 [13.00] Centerlines

**3.96 mm Centerline Free-Hanging Plug Housing**

**1 Circuit**

Wire-to-Wire

Material—UL94V-0, 6/6 Nylon

**Part Number**

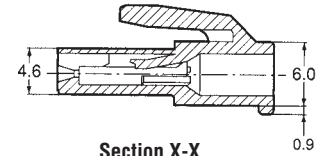
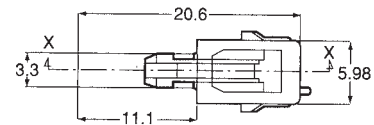
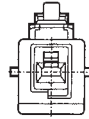
- 316768-1 (Natural)
- 316768-2 (Red)
- 316768-4 (Yellow)
- 316768-6 (Blue)
- 316768-9 (Black)

**Related Product Data**

**Receptacle Contacts**—page 59

**Mating Cap Housings**  
(Free Hanging)—pages 63-64

**Double Lock Plate**—page 69



Section X-X

**2 Circuits**

Wire-to-Board and Wire-to-Wire

Material—UL94V-0, 6/6 Nylon

**Part Number**

- 177898-1 (Natural)
- 177898-2 (Red)
- 177898-4 (Yellow)
- 177898-6 (Blue)
- 177898-9 (Black)

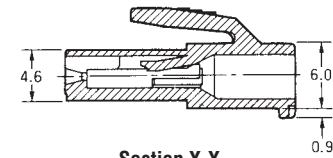
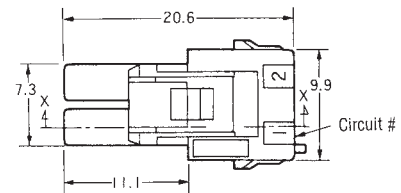
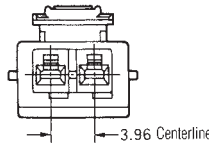
**Related Product Data**

**Receptacle Contacts**—page 59

**Mating Cap Housings**  
(Free Hanging)—pages 63-64  
(Panel Mount)—pages 65-68

**Double Lock Plate**—page 69

**Mating Tab Headers**—  
pages 70-72



Section X-X

**3 Circuits**

Wire-to-Board and Wire-to-Wire

Material—UL94V-0, 6/6 Nylon

**Part Number**

- 177899-1 (Natural)
- 177899-2 (Red)
- 177899-4 (Yellow)
- 177899-6 (Blue)
- 177899-9 (Black)

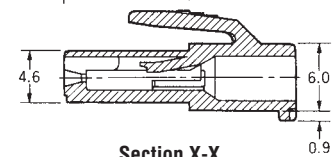
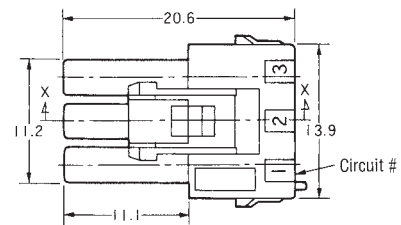
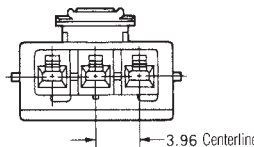
**Related Product Data**

**Receptacle Contacts**—page 59

**Mating Cap Housings**  
(Free Hanging)—pages 63-64  
(Panel Mount)—pages 65-68

**Double Lock Plate**—page 69

**Mating Tab Headers**—  
pages 70-72 and  
(2 circuit, 7.92 mm  
centerline)—page 72



Section X-X

**4 Circuits (1 Row)**

Wire-to-Wire

Material—UL94V-0, 6/6 Nylon

**Part Number**

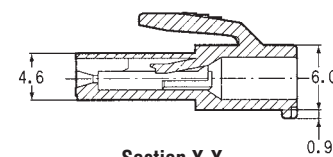
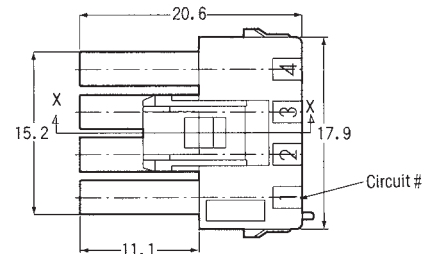
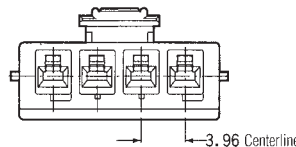
- 316501-1 (Natural)
- 316501-4 (Yellow)
- 316501-6 (Blue)

**Related Product Data**

**Receptacle Contacts**—page 59

**Mating Cap Housings**  
(Panel Mount)—pages 65-68

**Double Lock Plate**—page 69



Section X-X

Note: All dimensions shown are metric.

Note: All part numbers are RoHS Compliant.

**3.96 mm Centerline Free-Hanging Plug Housing**

**4 Circuits (2 Rows)**

Wire-to-Board and Wire-to-Wire

**Material**

UL94V-0, 6/6 Nylon

**Part Number**

- 177900-1 (Natural)
- 177900-4 (Yellow)
- 177900-6 (Blue)

**Lock Type II**

3-177900-1 (Natural)

**Related Product Data**

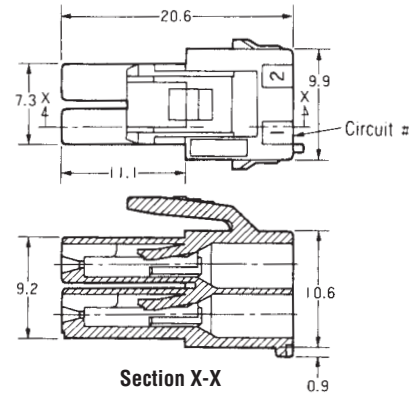
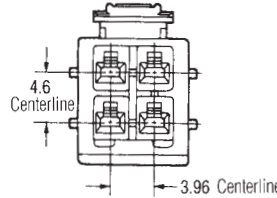
**Receptacle Contacts**—page 59

**Mating Cap Housings**

(Free Hanging)—pages 63-64  
(Panel Mount)—pages 65-68

**Double Lock Plate**—page 69

**Mating Tab Headers**—  
pages 70-72



**6 Circuits**

Wire-to-Board and Wire-to-Wire

**Material**

UL94V-0, 6/6 Nylon

**Part Number**

- 177901-1 (Natural)
- 177901-4 (Yellow)
- 177901-6 (Blue)

**Lock Type II**

3-177901-1 (Natural)

**Related Product Data**

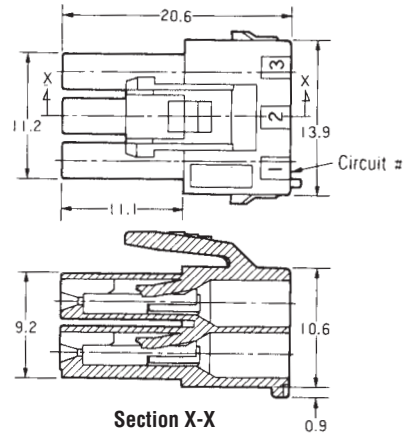
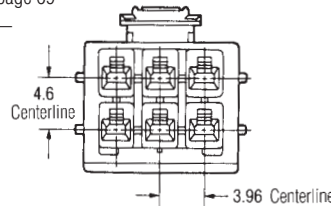
**Receptacle Contacts**—page 59

**Mating Cap Housings**

(Free Hanging)—pages 63-64  
(Panel Mount)—pages 65-68

**Double Lock Plate**—page 69

**Mating Tab Headers**—  
pages 70-72



**8 Circuits**

Wire-to-Board and Wire-to-Wire

**Material**

UL94V-0, 6/6 Nylon

**Part Number**

- 177902-1 (Natural)
- 177902-4 (Yellow)
- 177902-6 (Blue)

**Lock Type II**

3-177902-1 (Natural)

**Related Product Data**

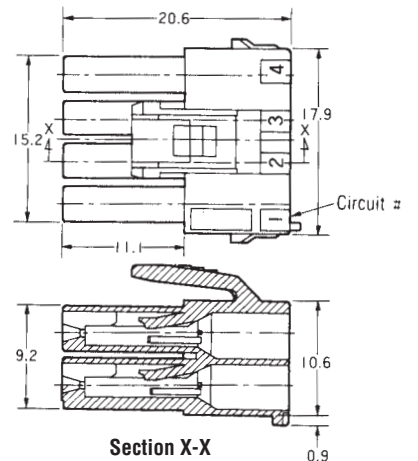
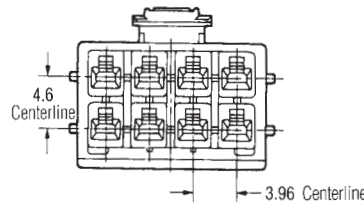
**Receptacle Contacts**—page 59

**Mating Cap Housings**

(Free Hanging)—pages 63-64

**Double Lock Plate**—page 69

**Mating Tab Headers**—pages 70-72



**Note:** All dimensions shown are metric.

**Note:** All part numbers are RoHS Compliant.



**3.96 mm Centerline Free-Hanging Plug Housing**

**9 Circuits**

**Wire-to-Wire**

**Material**

UL94V-0, 6/6 Nylon

**Part Number**

- 177903-1 (Natural)
- 177903-4 (Yellow)
- 177903-6 (Blue)

**Lock Type II**

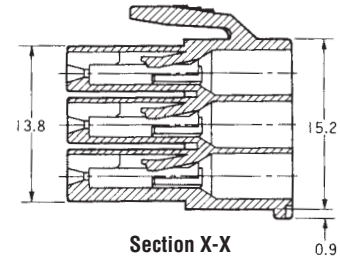
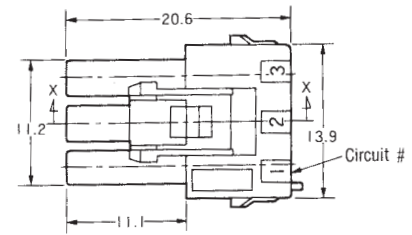
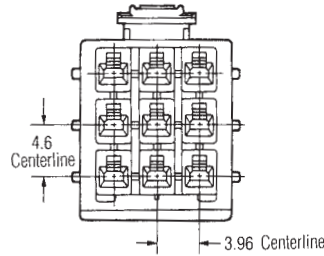
3-177903-1 (Natural)

**Related Product Data**

**Receptacle Contacts**—page 59

**Mating Cap Housings**  
(Panel Mount)—pages 65-68

**Double Lock Plate**—page 69



**10 Circuits**

**Wire-to-Wire**

**Material**

UL94V-0, 6/6 Nylon

**Part Number**

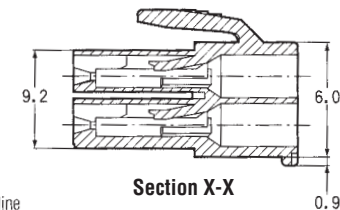
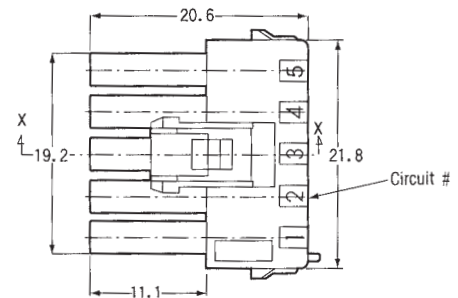
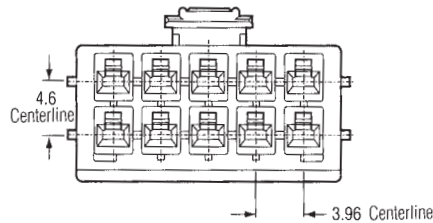
- 177904-1 (Natural)
- 177904-4 (Yellow)
- 177904-6 (Blue)

**Related Product Data**

**Receptacle Contacts**—page 59

**Mating Cap Housings**  
(Panel Mount)—pages 65-68

**Double Lock Plate**—page 69



**12 Circuits**

**Wire-to-Board and Wire-to-Wire**

**Material**

UL94V-0, 6/6 Nylon

**Part Number**

- 177905-1 (Natural)
- 177905-4 (Yellow)
- 177905-6 (Blue)

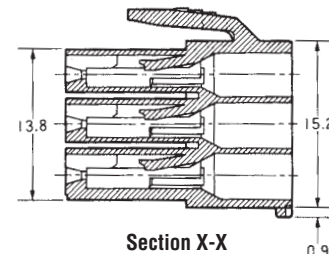
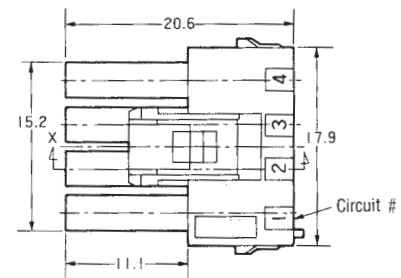
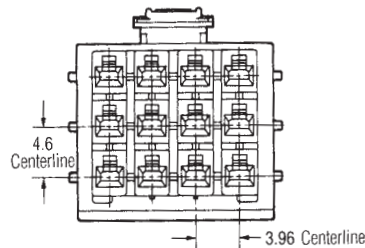
**Related Product Data**

**Receptacle Contacts**—page 59

**Mating Cap Housings**  
(Panel Mount)—pages 65-68

**Double Lock Plate**—page 69

**Mating Tab Headers**—pages 70-72



**Note:** All dimensions shown are metric.

**Note:** All part numbers are RoHS Compliant.

**3.96 mm Centerline Free-Hanging Cap Housing**

**1 Circuit**

Wire-to-Wire

**Material**

UL94V-0, 6/6 Nylon

**Part Number**

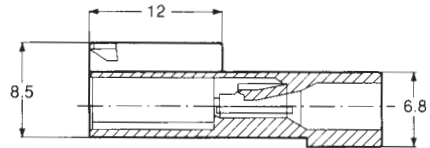
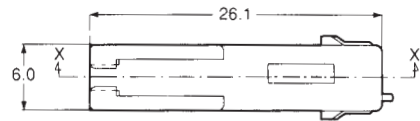
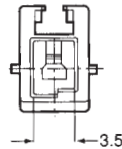
- 316769-1 (Natural)
- 316769-2 (Red)
- 316769-4 (Yellow)
- 316769-6 (Blue)
- 316769-9 (Black)

**Related Product Data**

**Tab Contacts**—page 59

**Mating Plug Housings**  
(Free Hanging)—pages 60-62

**Double Lock Plate**—page 69



Section X-X

**2 Circuits**

Wire-to-Wire

**Material**

UL94V-0, 6/6 Nylon

**Part Number**

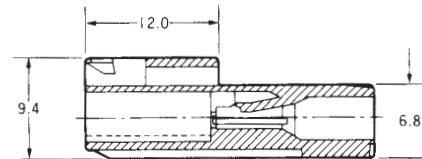
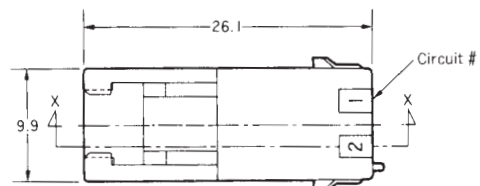
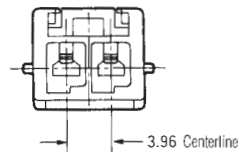
- 179463-1 (Natural)
- 179463-2 (Red)
- 179463-4 (Yellow)
- 179463-6 (Blue)
- 179463-9 (Black)

**Related Product Data**

**Tab Contacts**—page 59

**Mating Plug Housings**  
(Free Hanging)—pages 60-62

**Double Lock Plate**—page 69



Section X-X

**3 Circuits**

Wire-to-Wire

**Material**

UL94V-0, 6/6 Nylon

**Part Number**

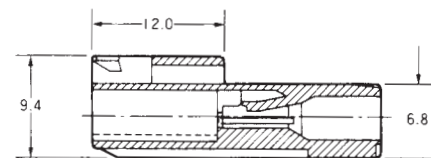
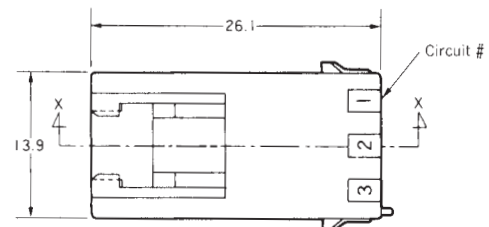
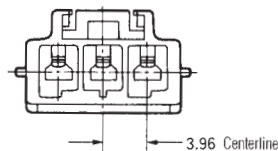
- 179464-1 (Natural)
- 179464-2 (Red)
- 179464-4 (Yellow)
- 179464-6 (Blue)
- 179464-9 (Black)

**Related Product Data**

**Tab Contacts**—page 59

**Mating Plug Housings**  
(Free Hanging)—pages 60-62

**Double Lock Plate**—page 69



Section X-X

**Note:** All dimensions shown are metric.

**Note:** All part numbers are RoHS Compliant.

High Density  
.156 [3.96] Centerline

**3.96 mm Centerline Free-Hanging Cap Housing**

**4 Circuits (2 Rows)**

Wire-to-Wire

**Material**

UL94V-0, 6/6 Nylon

**Part Number**

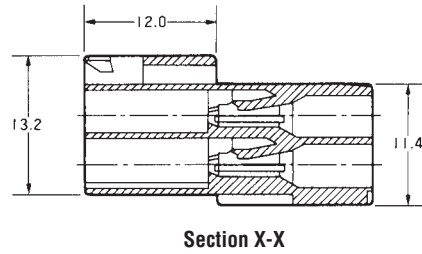
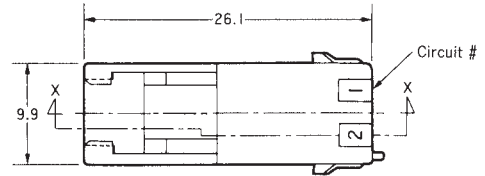
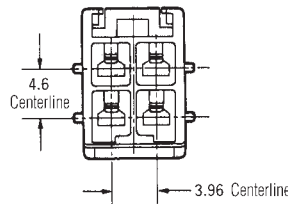
179465-1 (Natural)  
179465-4 (Yellow)  
179465-6 (Blue)

**Related Product Data**

**Tab Contacts**—page 59

**Mating Plug Housings**  
(Free Hanging)—pages 60-62

**Double Lock Plate**—page 69



**6 Circuits**

Wire-to-Wire

**Material**

UL94V-0, 6/6 Nylon

**Part Number**

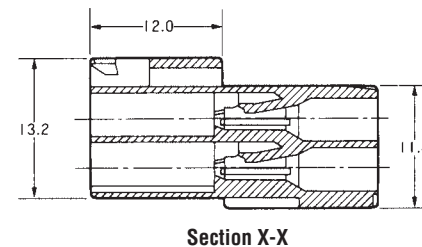
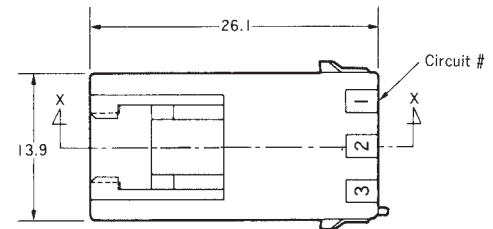
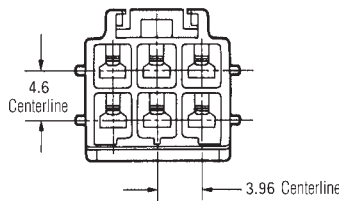
179466-1 (Natural)  
179466-4 (Yellow)  
179466-6 (Blue)

**Related Product Data**

**Tab Contacts**—page 59

**Mating Plug Housings**  
(Free Hanging)—pages 60-62

**Double Lock Plate**—page 69



**8 Circuits**

Wire-to-Wire

**Material**

UL94V-0, 6/6 Nylon

**Part Number**

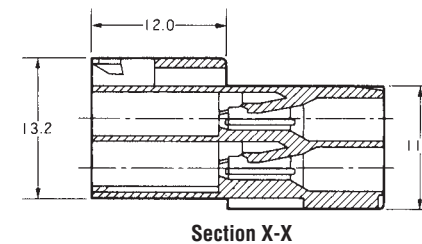
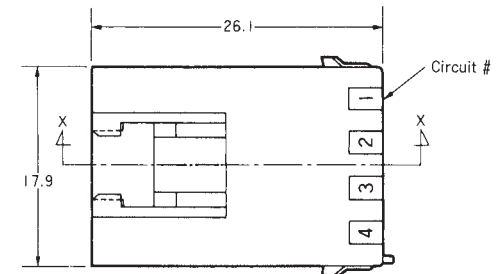
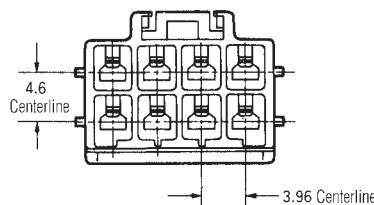
179467-1 (Natural)  
179467-4 (Yellow)  
179467-6 (Blue)

**Related Product Data**

**Tab Contacts**—page 59

**Mating Plug Housings**  
(Free Hanging)—pages 60-62

**Double Lock Plate**—page 69



**Note:** All dimensions shown are metric.

**Note:** All part numbers are RoHS Compliant.



**3.96 mm Centerline Panel Mount Cap Housing**

**2 Circuits**  
Wire-to-Wire

**Material**—UL94V-0, 6/6 Nylon

**Part Number**

- 177906-1 (Natural)
- 177906-2 (Red)
- 177906-4 (Yellow)
- 177906-6 (Blue)
- 177906-9 (Black)

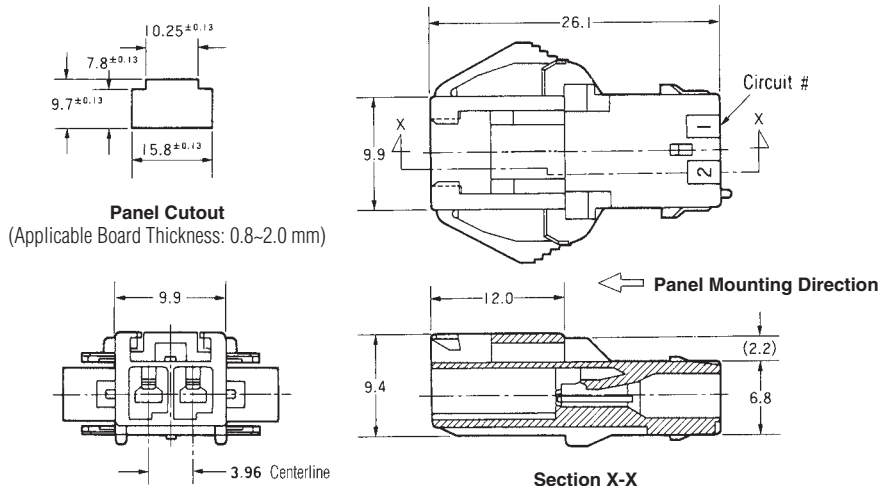
**Related Product Data**

**Tab Contacts**—page 59

**Mating Plug Housings**

(Free Hanging)—pages 60-62

**Double Lock Plate**—page 69



**3 Circuits**  
Wire-to-Wire

**Material**—UL94V-0, 6/6 Nylon

**Part Number**

- 177907-1 (Natural)
- 177907-2 (Red)
- 177907-4 (Yellow)
- 177907-6 (Blue)
- 177907-9 (Black)

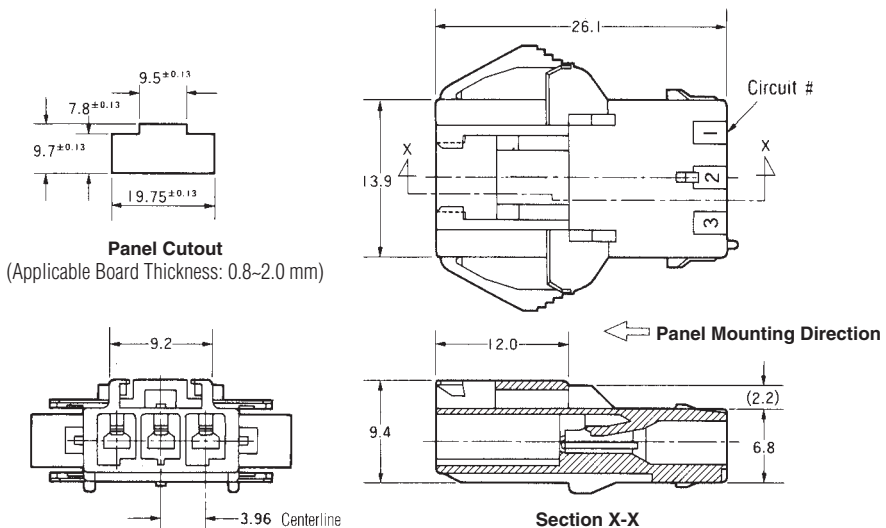
**Related Product Data**

**Tab Contacts**—page 59

**Mating Plug Housings**

(Free Hanging)—pages 60-62

**Double Lock Plate**—page 69



**4 Circuits (1 Row)**  
Wire-to-Wire

**Material**—UL94V-0, 6/6 Nylon

**Part Number**

- 316502-1 (Natural)
- 316502-4 (Yellow)
- 316502-6 (Blue)

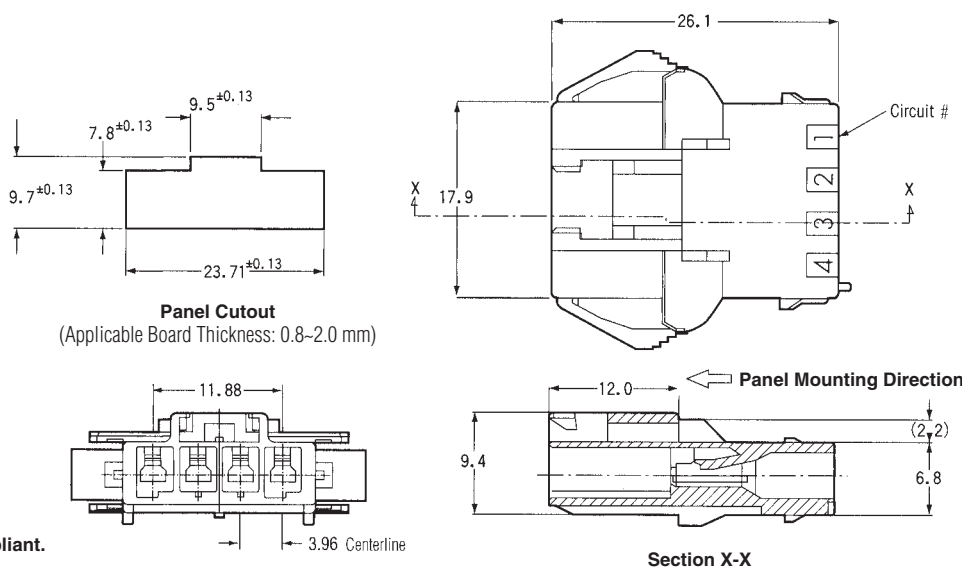
**Related Product Data**

**Tab Contacts**—page 59

**Mating Plug Housings**

(Free Hanging)—pages 60-62

**Double Lock Plate**—page 69



**Note:** All dimensions shown are metric.

**Note:** All part numbers are RoHS Compliant.

**3.96mm Centerline Panel Mount Cap Housing**

**4 Circuits (2 Rows)**

Wire-to-Wire

**Material**

UL94V-0, 6/6 Nylon

**Part Number**

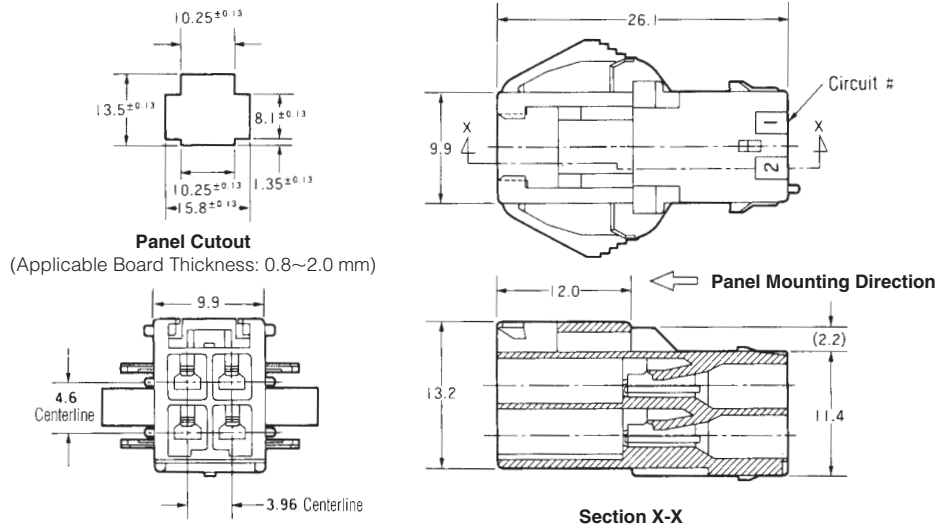
- 177908-1 (Natural)
- 177908-4 (Yellow)
- 177908-6 (Blue)

**Related Product Data**

**Tab Contacts**—page 59

**Mating Plug Housings**  
(Free Hanging)—pages 60-62

**Double Lock Plate**—page 69



**6 Circuits**

Wire-to-Wire

**Material**

UL94V-0, 6/6 Nylon

**Part Number**

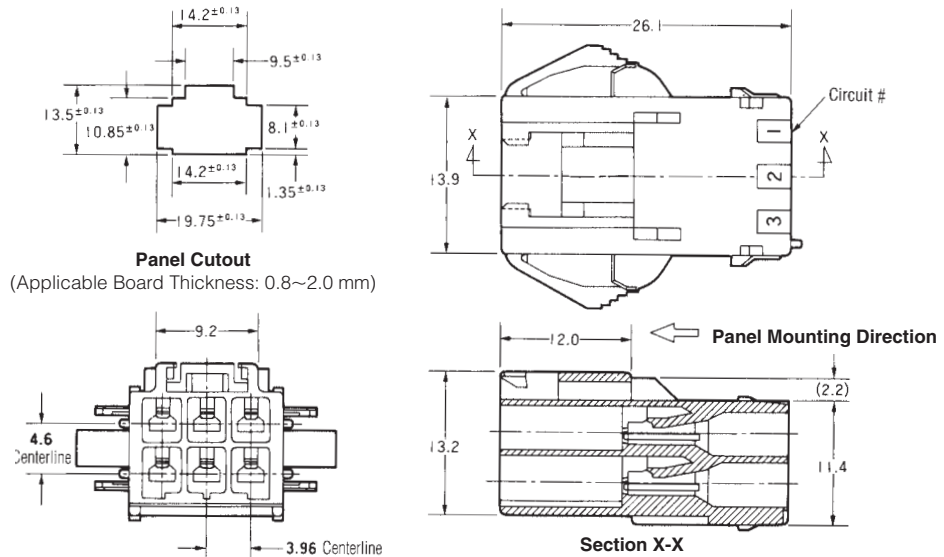
- 177909-1 (Natural)
- 177909-4 (Yellow)
- 177909-6 (Blue)

**Related Product Data**

**Tab Contacts**—page 59

**Mating Plug Housings**  
(Free Hanging)—pages 60-62

**Double Lock Plate**—page 69



**Note:** All dimensions shown are metric.

**Note:** All part numbers are RoHS Compliant.

**3.96mm Centerline Panel Mount Cap Housing**

**9 Circuits**

Wire-to-Wire

**Material**

UL94V-0, 6/6 Nylon

**Part Number**

- 177911-1 (Natural)
- 177911-4 (Yellow)
- 177911-6 (Blue)

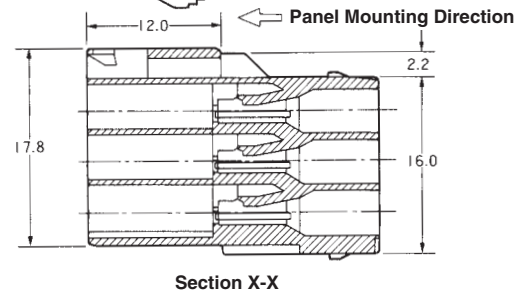
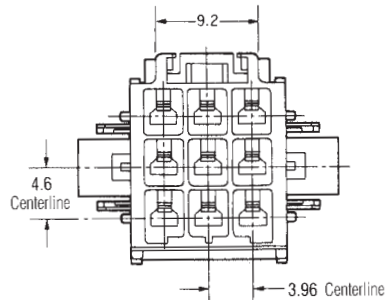
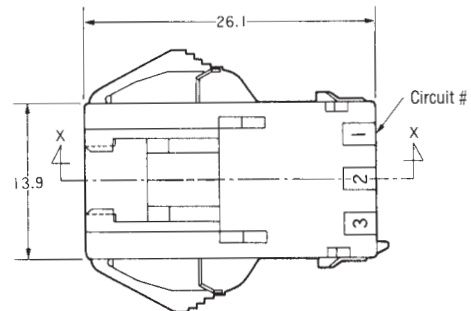
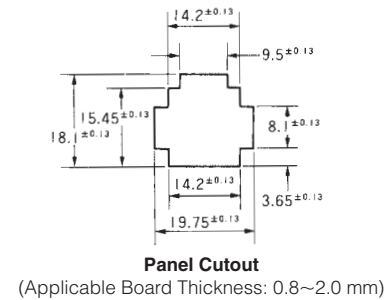
**Related Product Data**

Tab Contacts—page 59

Mating Plug Housings

(Free Hanging)—pages 60-62

Double Lock Plate—page 69



**For 10 Circuits**

Wire-to-Wire

**Material**

UL94V-0, 6/6 Nylon

**Part Number**

- 177912-1 (Natural)
- 177912-4 (Yellow)
- 177912-6 (Blue)

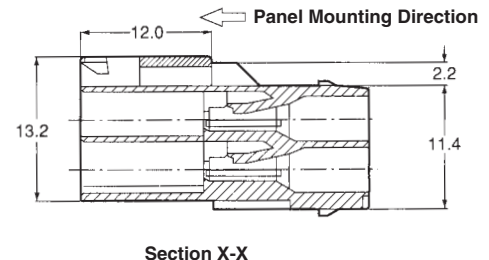
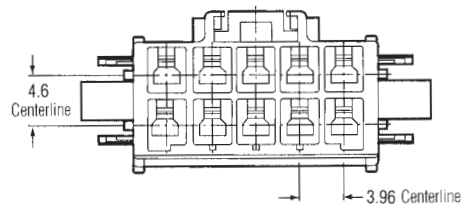
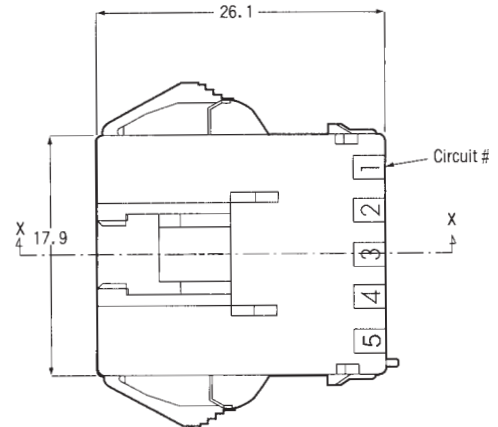
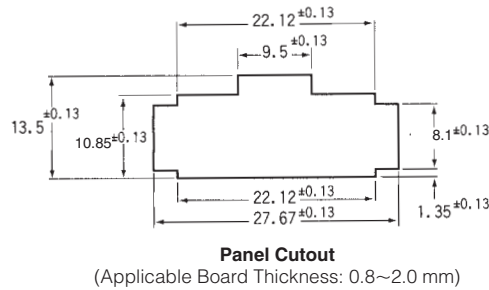
**Related Product Data**

Tab Contacts—page 59

Mating Plug Housings

(Free Hanging)—pages 60-62

Double Lock Plate—page 69



Note: All dimensions shown are metric.

Note: All part numbers are RoHS Compliant.

High Density  
.156 [3.96] Centerline

**3.96 mm Centerline Panel Mount Cap Housing**

**12 Circuits**

**Wire-to-Wire**

**Material**

UL94V-0, 6/6 Nylon

**Part Number**

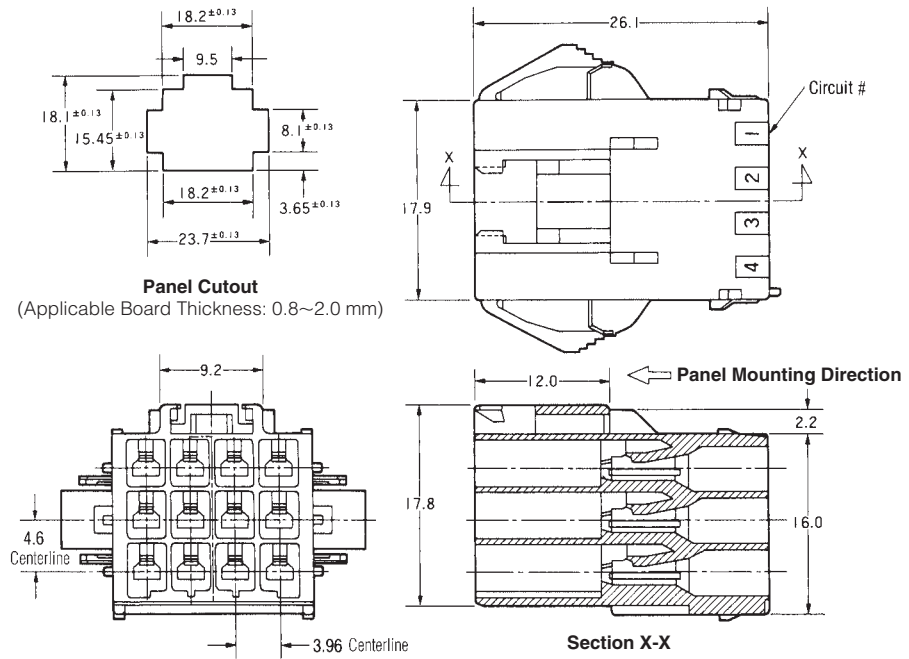
- 177913-1 (Natural)
- 177913-4 (Yellow)
- 177913-6 (Blue)

**Related Product Data**

**Tab Contacts**—page 59

**Mating Plug Housings**  
(Free Hanging)—pages 60-62

**Double Lock Plate**—page 69



**Note:** All dimensions shown are metric.

**Note:** All part numbers are RoHS Compliant.

3.96 mm Centerline Double-Lock Plates

Double Lock Plates

Material

UL94V-0, glass filled 6/6 Nylon, natural color

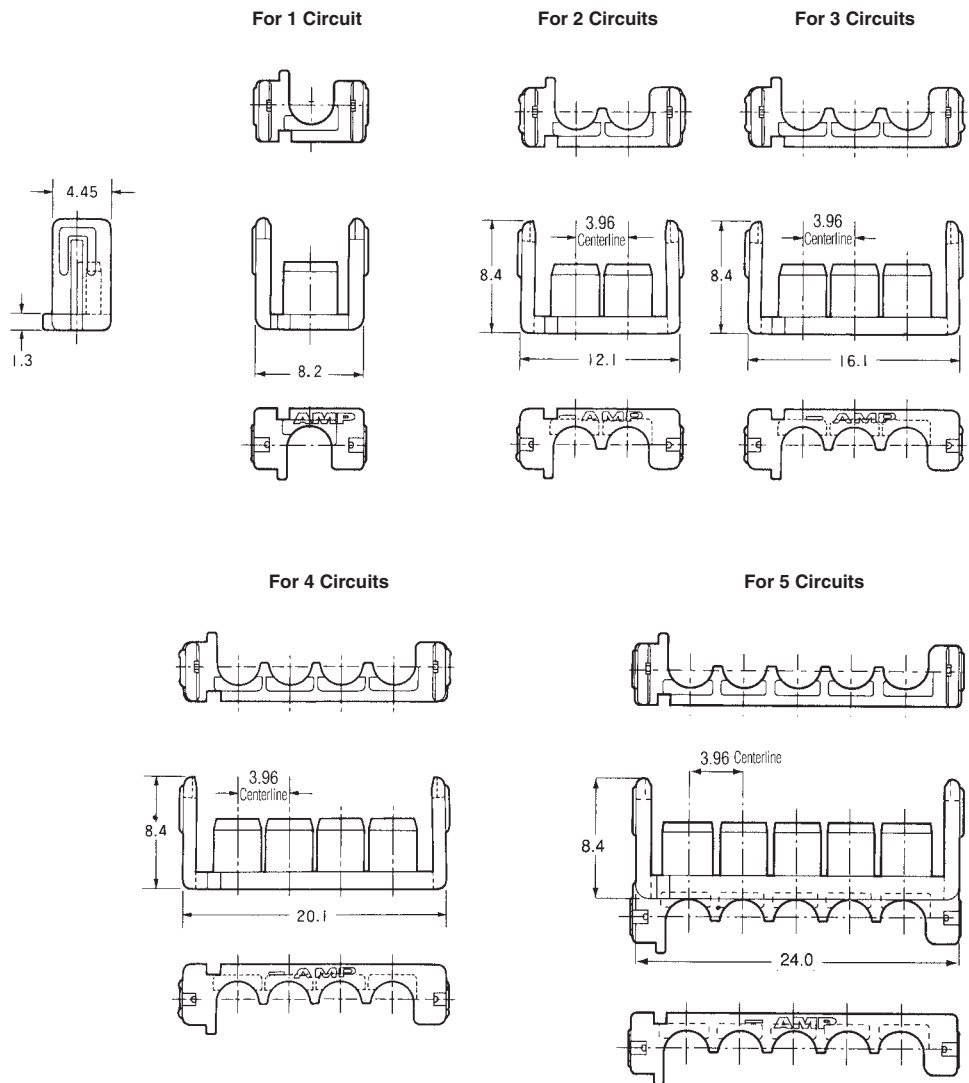
Part Number

- 316770-1 (1 Pos.)
- 177918-1 (2 Pos.)
- 177919-1 (3 Pos.)
- 177920-1 (4 Pos.)
- 177921-1 (5 Pos.)

Related Product Data

Plug Housings — pages 60-62

Cap Housings — pages 63-68



High Density  
.156 [3.96] Centerline

No. of Pos.	Applicable Housing Part No.			Double Lock Plate	
	Plug Housing	Cap Housing		Part Number	Required Qty.
		Free Hanging	Panel Mount		
1	316768-□	316769-□	—	316770-1 (1 Pos.)	1
2	177898-□	179463-□	177906-□	177918-1 (2 Pos.)	1
3	177899-□	179464-□	177907-□	177919-1 (3 Pos.)	1
4 (1 Row)	316501-□	—	316502-□	177920-1 (4 Pos.)	1
4 (2 Rows)	177900-□	179465-□	177908-□	177918-1 (2 Pos.)	2
6	177901-□	179466-□	177909-□	177919-1 (3 Pos.)	2
8	177902-□	179467-□	—	177920-1 (4 Pos.)	2
9	177903-□	—	177911-□	177919-1 (3 Pos.)	3
10	177904-□	—	177912-□	177921-1 (5 Pos.)	2
12	177905-□	—	177913-□	177920-1 (4 Pos.)	3

Note: All dimensions shown are metric.

Note: All part numbers are RoHS Compliant.



**3.96 mm Centerline for PC Board Mount Tab Header, Vertical**

**2 Circuits**  
Wire-to-Board

**Material and Finish**

**Housing**—UL 94V-0,  
glass filled 6/6 Nylon

**Contact**—Copper alloy, Tin plated

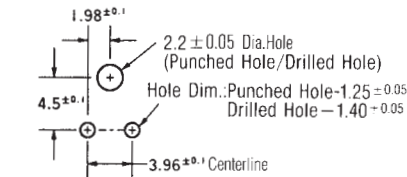
**Part Number**

- 179838-1 (Natural)
- 179838-2 (Red)
- 179838-4 (Yellow)
- 179838-6 (Blue)
- 179838-9 (Black)

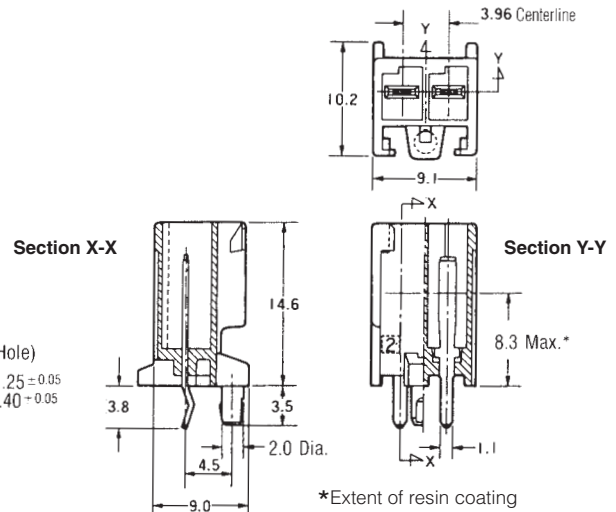
**Tube** (53 ea.)—316299-□

**Related Product Data**

**Mating Plug Housing**  
(Free Hanging)—pages 60-62



**PC Board Layout**  
(Applicable Board Thickness: 1.6 mm)



**3 Circuits**  
Wire-to-Board

**Material and Finish**

**Housing**—UL 94V-0,  
glass filled 6/6 Nylon

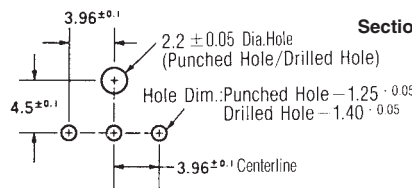
**Contact**—Copper alloy, Tin plated

**Part Number**

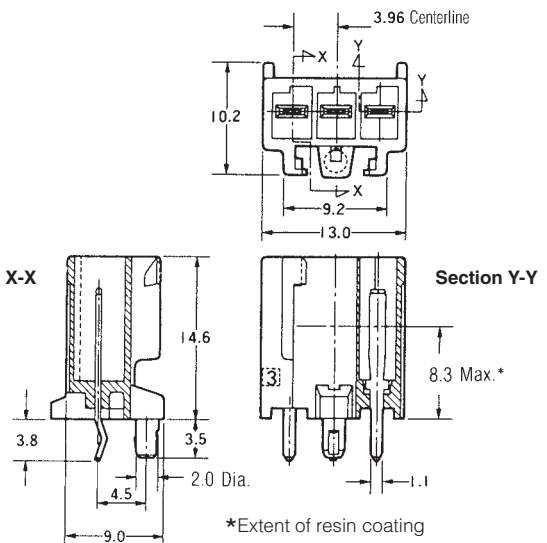
- 179839-1 (Natural)
- 179839-2 (Red)
- 179839-4 (Yellow)
- 179839-6 (Blue)
- 179839-9 (Black)

**Related Product Data**

**Mating Plug Housing**  
(Free Hanging)—pages 60-62



**PC Board Layout**  
(Applicable Board Thickness: 1.6 mm)



**Note:** All dimensions shown are metric.

**Note:** All part numbers are RoHS Compliant.

**3.96 mm Centerline for PC Board Mount Tab Header, Vertical** (Continued)

**4 Circuits (2 Rows)**

Wire-to-Board

**Material and Finish**

**Housing**—UL 94V-0, glass filled 6/6 Nylon.

**Contact**—Copper alloy, Tin plated

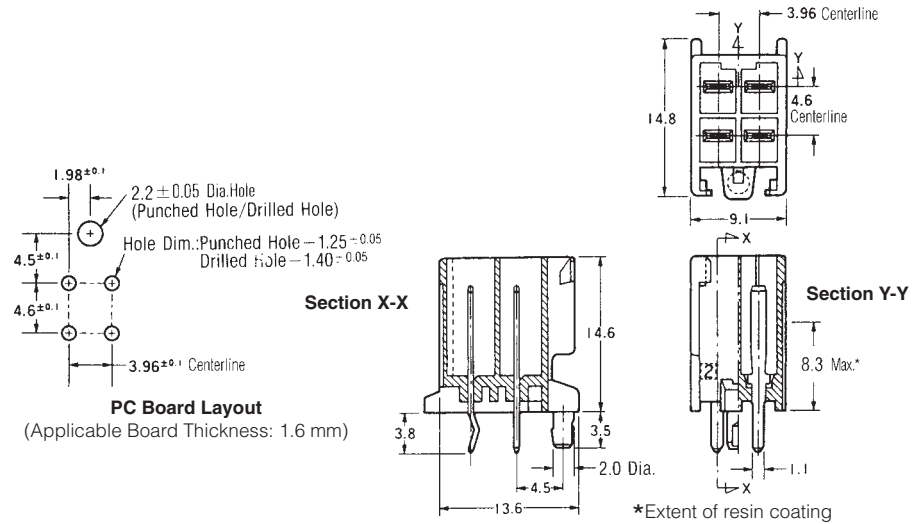
**Part Number**

- 179840-1 (Natural)
- 179840-4 (Yellow)
- 179840-6 (Blue)

**Related Product Data**

**Mating Plug Housings**

(Free Hanging)—pages 60-62



**6 Circuits**

Wire-to-Board

**Material and Finish**

**Housing**—UL 94V-0, glass filled 6/6 Nylon.

**Contact**—Copper alloy, Tin plated

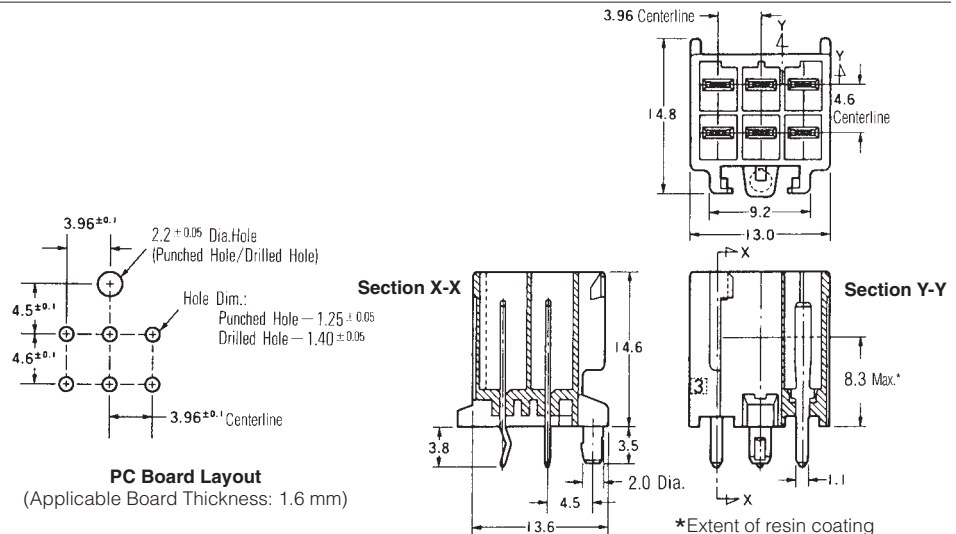
**Part Number**

- 179841-1 (Natural)
- 179841-4 (Yellow)
- 179841-6 (Blue)

**Related Product Data**

**Mating Plug Housings**

(Free Hanging)—pages 60-62



**8 Circuits**

Wire-to-Board

**Material and Finish**

**Housing**—UL 94V-0, glass filled 6/6 Nylon.

**Contact**—Copper alloy, Tin plated

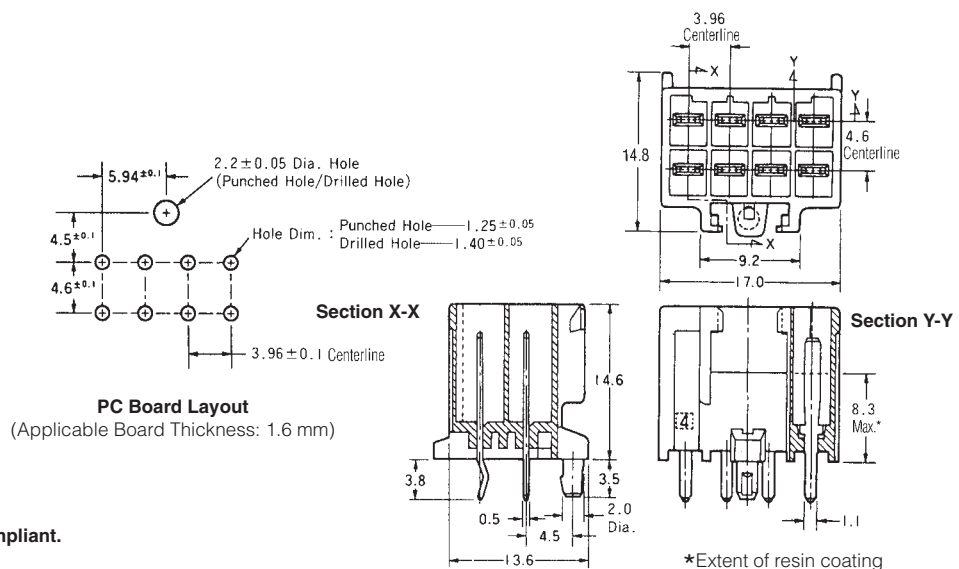
**Part Number**

- 917845-1 (Natural)
- 917845-4 (Yellow)
- 917845-6 (Blue)

**Related Product Data**

**Mating Plug Housings**

(Free Hanging)—pages 60-62



**Note:** All dimensions shown are metric.

**Note:** All part numbers are RoHS Compliant.

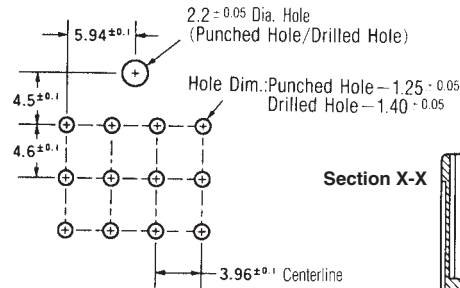
**3.96 mm Centerline for PC Board Mount Tab Header, Vertical**

**12 Circuits**  
**Wire-to-Board**

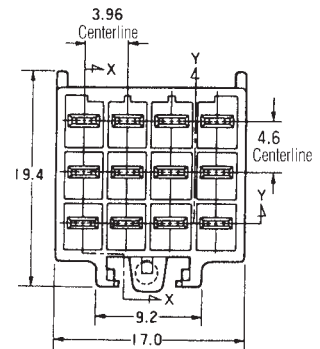
**Material and Finish**  
**Housing**—UL 94V-0, glass filled 6/6 Nylon  
**Contact**—Copper alloy, Tin plated

**Part Number**  
179843-1 (Natural)  
179843-4 (Yellow)  
179843-6 (Blue)

**Related Product Data**  
**Mating Plug Housings**  
(Free Hanging)—pages 60-62

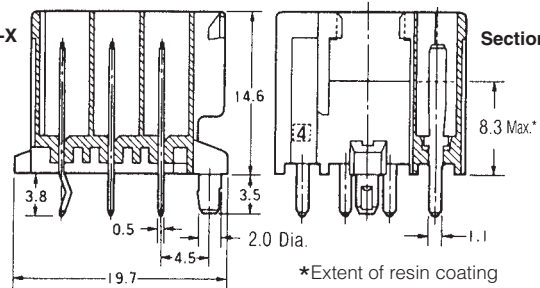


**PC Board Layout**  
(Applicable Board Thickness: 1.6 mm)



**Section X-X**

**Section Y-Y**



\*Extent of resin coating

**3.96 mm Centerline (2 Pos. = 7.92 mm Centerline) for PC Board Mount Tab Header, Vertical**

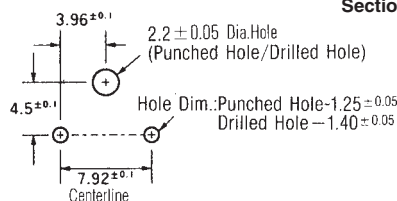
**2 Circuits**  
**Wire-to-Board**

**Material and Finish**  
**Housing**—UL 94V-0, glass filled 6/6 Nylon  
**Contact**—Copper alloy, Tin plated

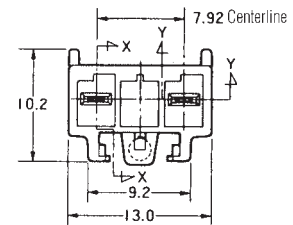
**Part Number**  
With kink  
179844-1 (Natural)  
179844-2 (Red)  
179844-4 (Yellow)  
179844-6 (Blue)  
179844-9 (Black)

Without kink  
9-179844-1 (Natural)  
9-179844-6 (Blue)

**Related Product Data**  
**Mating 3-Circuit Plug Housings**  
(Free Hanging)—page 60

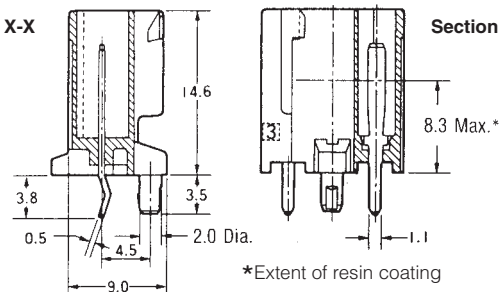


**PC Board Layout**  
(Applicable Board Thickness: 1.6 mm)



**Section X-X**

**Section Y-Y**



\*Extent of resin coating

**Note:** All dimensions shown are metric.  
**Note:** All part numbers are RoHS Compliant.

**6.5 mm Centerline Free-Hanging Plug Housing**

**3 Circuits**

Wire-to-Board

**Material**

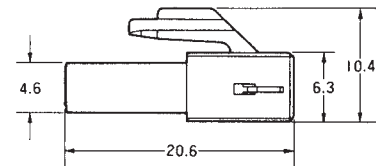
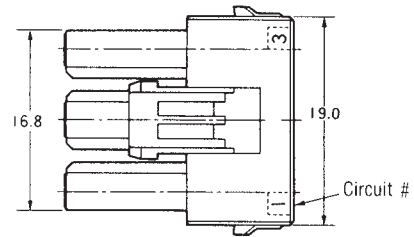
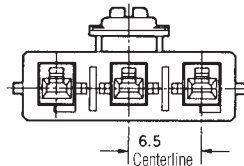
UL 94V-0, 6/6 Nylon

**Part Number**

- 179938-1 (Natural)
- 179938-2 (Red)
- 179938-4 (Yellow)
- 179938-6 (Blue)
- 179938-9 (Black)

**Related Product Data**

- Receptacle Contacts**—page 59
- Double Lock Plate**—page 75
- Mating Tab Headers**—pages 76-78



**4 Circuits (1 Row)**

Wire-to-Board

**Material**

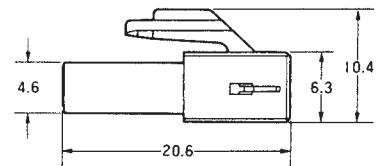
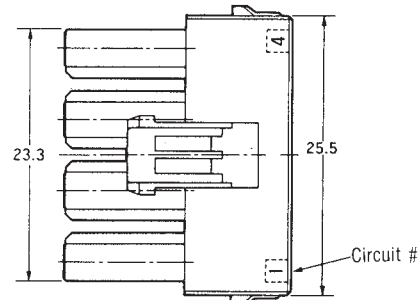
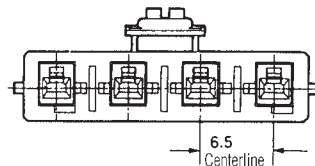
UL 94V-0, 6/6 Nylon

**Part Number**

- 179939-1 (Natural)
- 179939-4 (Yellow)
- 179939-6 (Blue)
- 179939-9 (Black)

**Related Product Data**

- Receptacle Contacts**—page 59
- Double Lock Plate**—page 75
- Mating Tab Headers**—pages 76-78



**4 Circuits (2 Rows)**

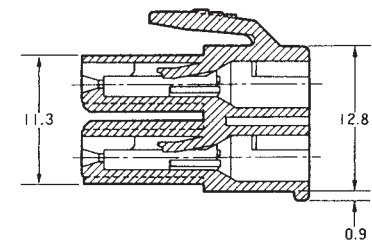
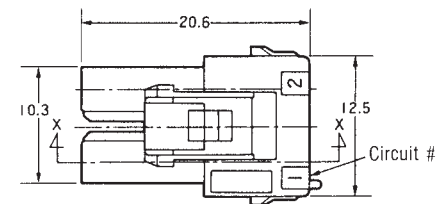
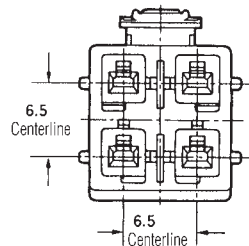
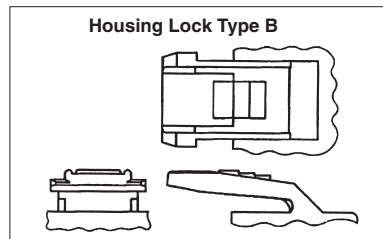
Wire-to-Board

**Material**

UL 94V-0, 6/6 Nylon

**Part Number**

- Housing Lock Type A
  - 179861-1 (Natural)
  - 179861-4 (Yellow)
  - 179861-6 (Blue)
- Housing Lock Type B
  - 2-179861-1 (Natural)
  - 2-179861-4 (Yellow)
  - 2-179861-6 (Blue)



**Related Product Data**

- Receptacle Contacts**—page 59
- Double Lock Plate**—page 75
- Mating Tab Headers**—pages 76-78

**Note:** All dimensions shown are metric.

**Note:** All part numbers are RoHS Compliant.

**6.5 mm Centerline Free-Hanging Plug Housing**

**6 Circuits**

**Wire-to-Board**

**Material**

UL 94V-0, 6/6 Nylon

**Part Number**

Housing Lock Type A  
179862-1 (Natural)  
179862-4 (Yellow)  
179862-6 (Blue)

Housing Lock Type B

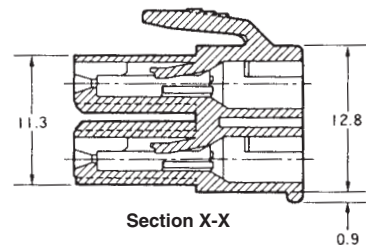
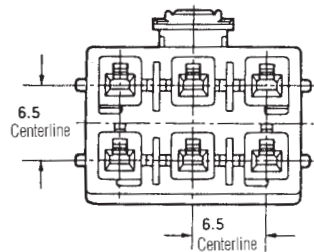
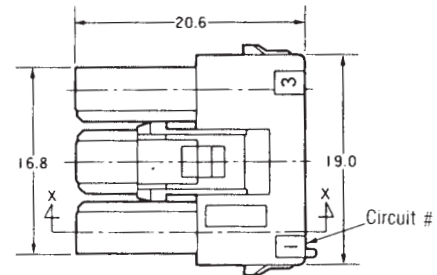
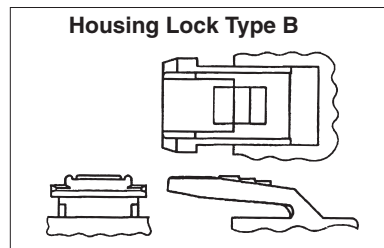
2-179862-1 (Natural)  
2-179862-4 (Yellow)  
2-179862-6 (Blue)

**Related Product Data**

**Receptacle Contacts**—page 59

**Double Lock Plate**—page 75

**Mating Tab Headers**—pages 76-78



**12 Circuits**

**Wire-to-Board**

**Material**

UL 94V-0, 6/6 Nylon.

**Part Number**

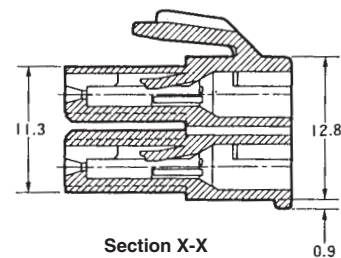
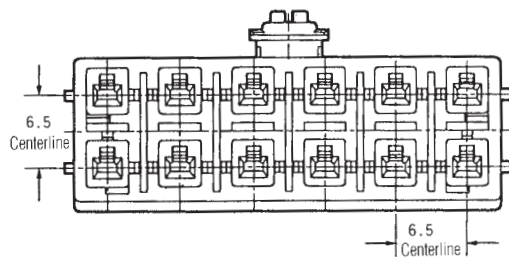
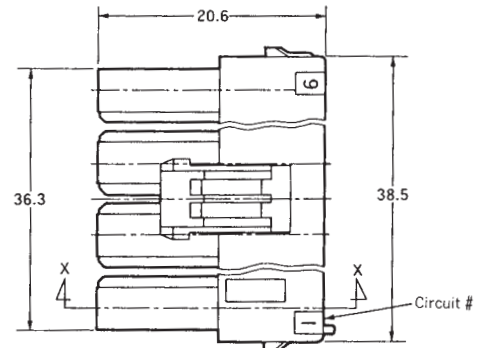
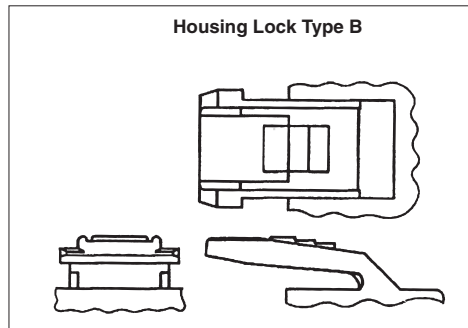
Housing Lock Type A  
917354-1 (Natural)  
Housing Lock Type B  
2-917354-1 (Natural)

**Related Product Data**

**Receptacle Contacts**—page 59

**Double Lock Plate**—page 75

**Mating Tab Headers**—pages 76-78



**Note:** All dimensions shown are metric.

**Note:** All part numbers are RoHS Compliant.



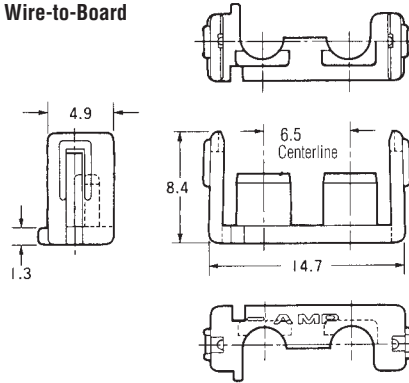
**6.5 mm Centerline Double-Lock Plates**

**Material**  
UL94V-0, glass filled  
6/6 Nylon, natural color

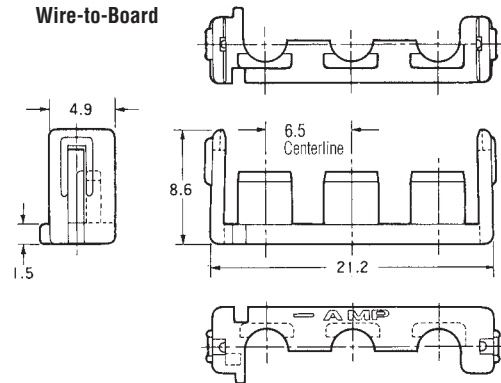
**Part Number**  
316061-1 (2-Circuits)  
316062-1 (3-Circuits)  
316063-1 (4-Circuits)  
353891-1 (6-Circuits)

**Related Product Data**  
**Plug Housings**  
(Free Hanging)—pages 73-74

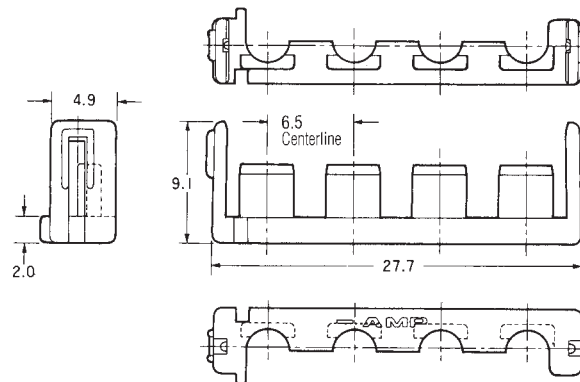
**For 2 Circuits**  
**Wire-to-Board**



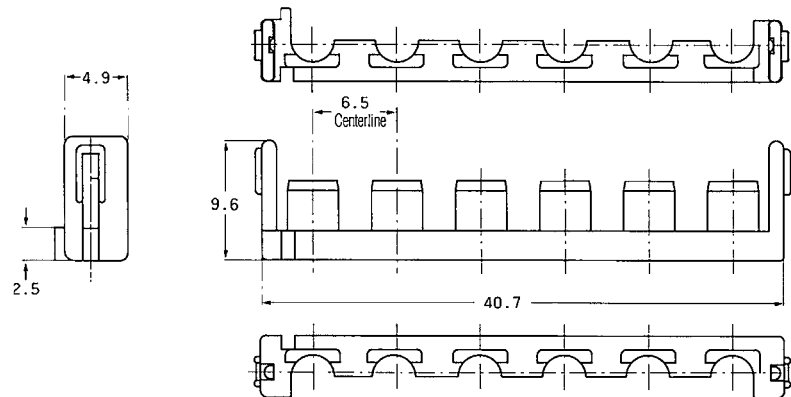
**For 3 Circuits**  
**Wire-to-Board**



**For 4 Circuits**  
**Wire-to-Board**



**For 6 Circuits**  
**Wire-to-Board**



No. of Pos.	Applicable Plug Housing Part No.	Double Lock Plate	
		Part Number	Required Qty.
3	179938-□	316062-1	1
4 (1 Row)	179939-□	316063-1	1
4 (2 Rows)	179861-□	316061-1	2
6	179862-□	316062-1	2
12	917354-□	353891-1	2

**Note:** All dimensions shown are metric.  
**Note:** All part numbers are RoHS Compliant.

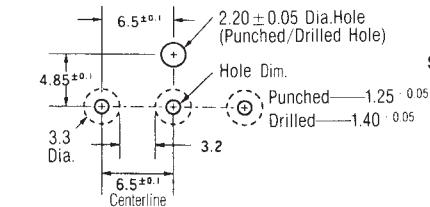
**6.5 mm Centerline (2 Pos.=13 mm Centerline) PC Board Mount Tab Header, Vertical**

**3 Circuits**  
**Wire-to-Board**

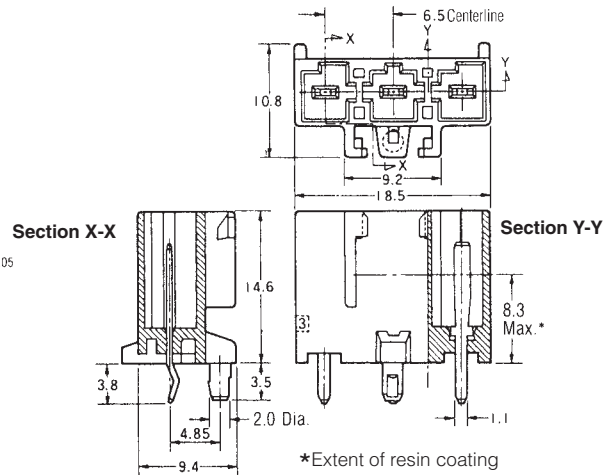
**Material and Finish**  
**Housing**—UL 94V-0, glass filled 6/6 Nylon  
**Contact**—Copper alloy, Tin plated

**Part Number**  
179846-1 (Natural)  
179846-4 (Yellow)  
179846-6 (Blue)

**Related Product Data**  
**Mating Plug Housings**  
(Free Hanging)—pages 73-74



**PC Board Layout**  
(Applicable Board Thickness: 1.6 mm)

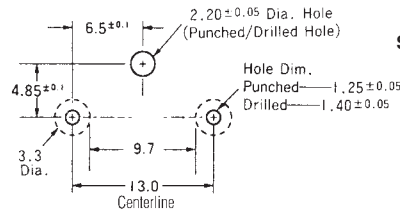


**2 Circuits**  
**(13 mm Centerline)**  
**Wire-to-Board**

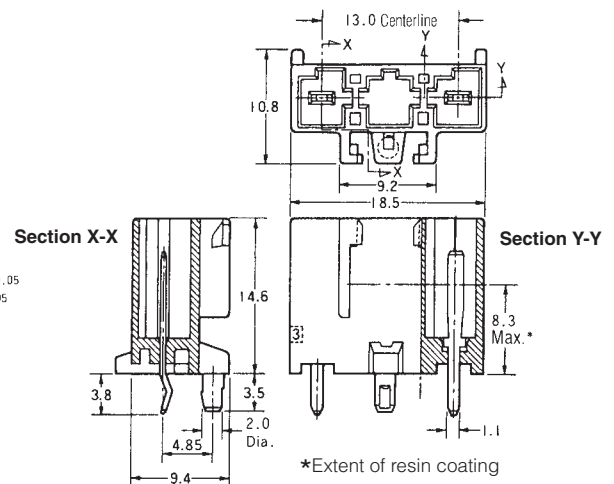
**Material and Finish**  
**Housing**—UL 94V-0, glass filled 6/6 Nylon  
**Contact**—Copper alloy, Tin plated

**Part Number**  
917745-1 (Natural)  
917745-4 (Yellow)  
917745-6 (Blue)  
Tube (26 ea.)—917746-□

**Related Product Data**  
**Mating 3-Circuit Plug Housings**  
(Free Hanging)—page 73



**PC Board Layout**  
(Applicable Board Thickness: 1.6 mm)

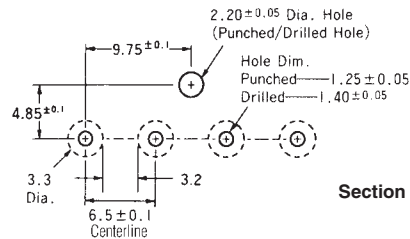


**4 Circuits (1 Row)**  
**Wire-to-Board**

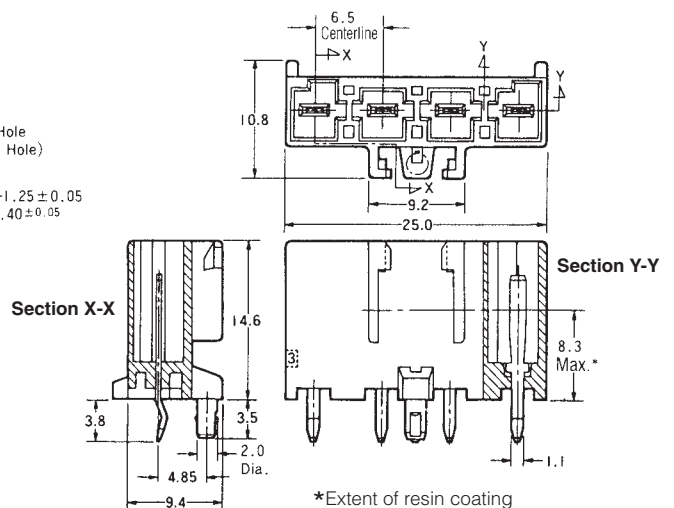
**Material and Finish**  
**Housing**—UL 94V-0, glass filled 6/6 Nylon  
**Contact**—Copper alloy, Tin plated

**Part Number**  
179847-1 (Natural)  
179847-4 (Yellow)  
179847-6 (Blue)

**Related Product Data**  
**Mating Plug Housings**  
(Free Hanging)—pages 73-74



**PC Board Layout**  
(Applicable Board Thickness: 1.6 mm)



**Note:** All dimensions shown are metric.  
**Note:** All part numbers are RoHS Compliant.

**6.5 mm Centerline PC Board Mount Tab Header, Vertical**

**4 Circuits (2 Rows)**

Wire-to-Board

**Material and Finish**

**Housing**—UL 94V-0, glass filled 6/6 Nylon

**Contact**—Copper alloy, Tin plated

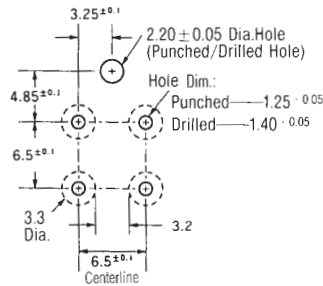
**Part Number**

- 179848-1 (Natural)
- 179848-4 (Yellow)
- 179848-6 (Blue)

Tube (40 ea.)—917747-□

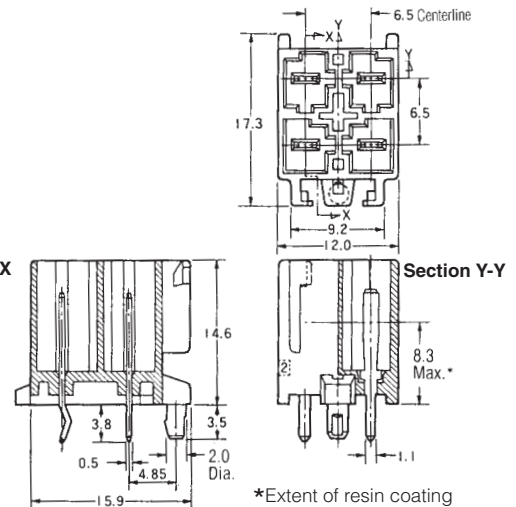
**Related Product Data**

**Mating Plug Housings**  
(Free Hanging)—pages 73-74



**PC Board Layout**

(Applicable Board Thickness: 1.6 mm)



**6 Circuits**

Wire-to-Board

**Material and Finish**

**Housing**—UL 94V-0, glass filled 6/6 Nylon

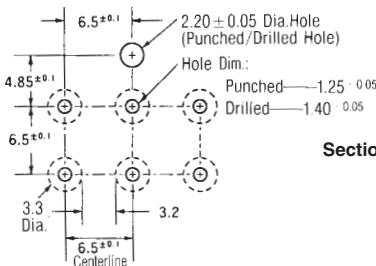
**Contact**—Copper alloy, Tin plated

**Part Number**

- 179849-1 (Natural)
- 179849-4 (Yellow)
- 179849-6 (Blue)

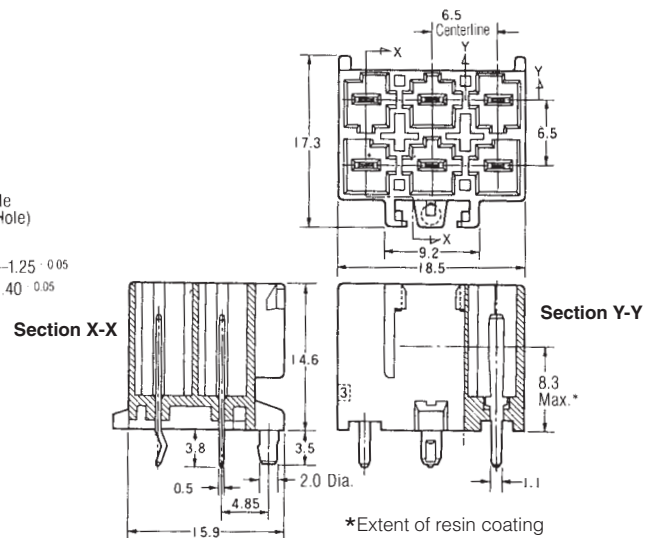
**Related Product Data**

**Mating Plug Housings**  
(Free Hanging)—pages 73-74



**PC Board Layout**

(Applicable Board Thickness: 1.6 mm)



**Note:** All dimensions shown are metric.

**Note:** All part numbers are RoHS Compliant.

6.5 mm Centerline PC Board Mount Tab Header, Vertical

12 Circuits  
Wire-to-Board

Material and Finish

Housing—UL 94V-0,  
glass filled 6/6 Nylon

Contact—Copper alloy, Tin plated

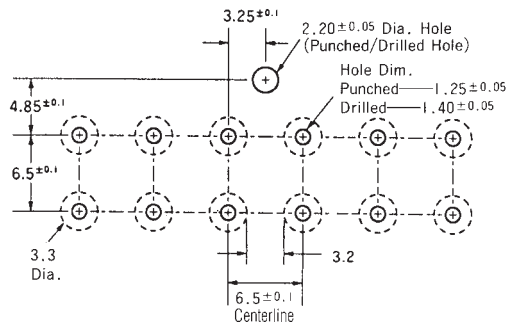
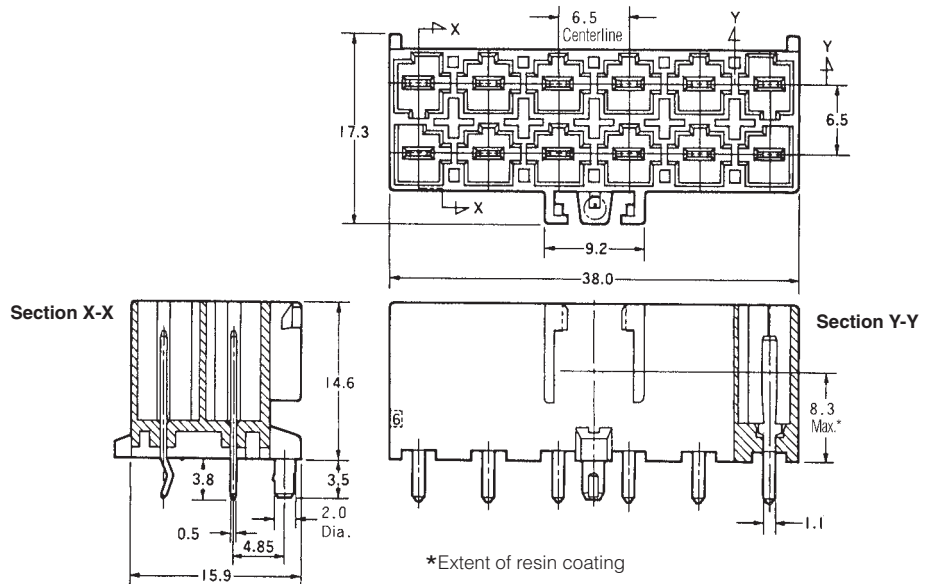
Part Number

With Boss, With kink  
917353-1 (Natural)  
917353-4 (Yellow)  
917353-6 (Blue)

Without Boss, Without kink  
3-917353-1 (Natural)

Related Product Data

Mating Plug Housings  
(Free Hanging)—pages 73-74



PC Board Layout  
(Applicable Board Thickness: 1.6 mm)

Note: All dimensions shown are metric.

Note: All part numbers are RoHS Compliant.