

Terminals and Splices

POSITIVE LOCK EX Series Receptacles

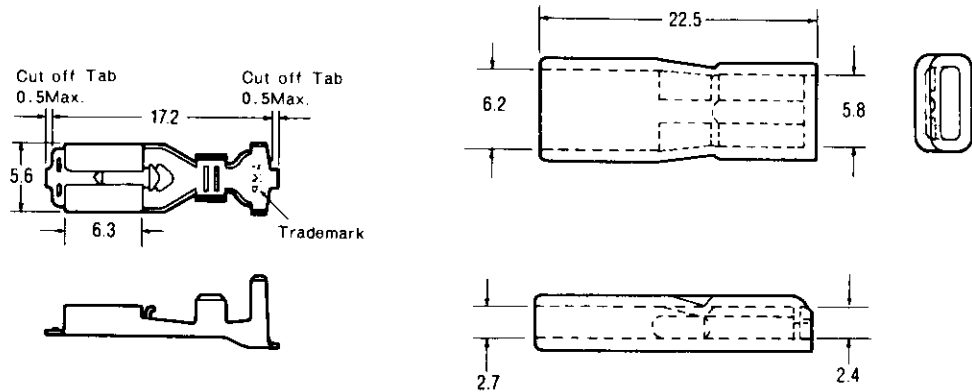
187 Series (Straight Type and Flag Type)

Straight Type

Material and Finish :

Receptacle — Pre-tin brass,
0.3mm thickness,
stainless steel for heat
resistant

Sleeve — Soft PVC
UL94V-2 rated(Blue)
UL94V-0 rated(Yellow)



Receptacle

Insulation Sleeve

Wire Range		Wire Ins.	Part Number of Receptacle		Part Number	Part Number of
AWG	mm ²	Dia.	Strip Form	Loose Piece	of Sleeve	Hand Tool
26-22	0.14~0.53	1.3~3.6	173722-1	173723-1	174737-1 (Blue)	911587-1
20-14	0.50~2.20	1.9~4.4	173724-1	173725-1	174737-2 (Yellow)	911588-1
For heat-resistant						
26-20	0.14~0.53	1.3~3.6	175032-1	—	—	—
20-14	0.50~2.20	1.9~4.4	175034-1	—	—	—

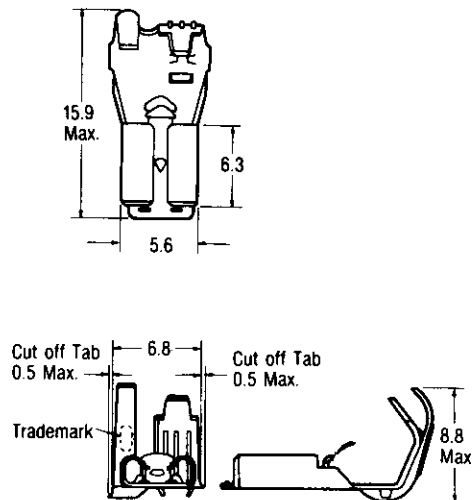
*Operating Temperature Range : -40~200 (ambient temperature + temprature rise by current carrying) Sleeve housing not used.

**Mating tab is made of stainless steel.

Flag Type Receptacle Contact

Material and Finish :

Receptacle — Pre-tin brass,
0.3mm thickness



Wire Range		Wire Ins.	Part Number of Receptacle
AWG	mm ²	Dia.	(Strip Form)
22-16	0.30~1.42	1.7~4.32	175019-1