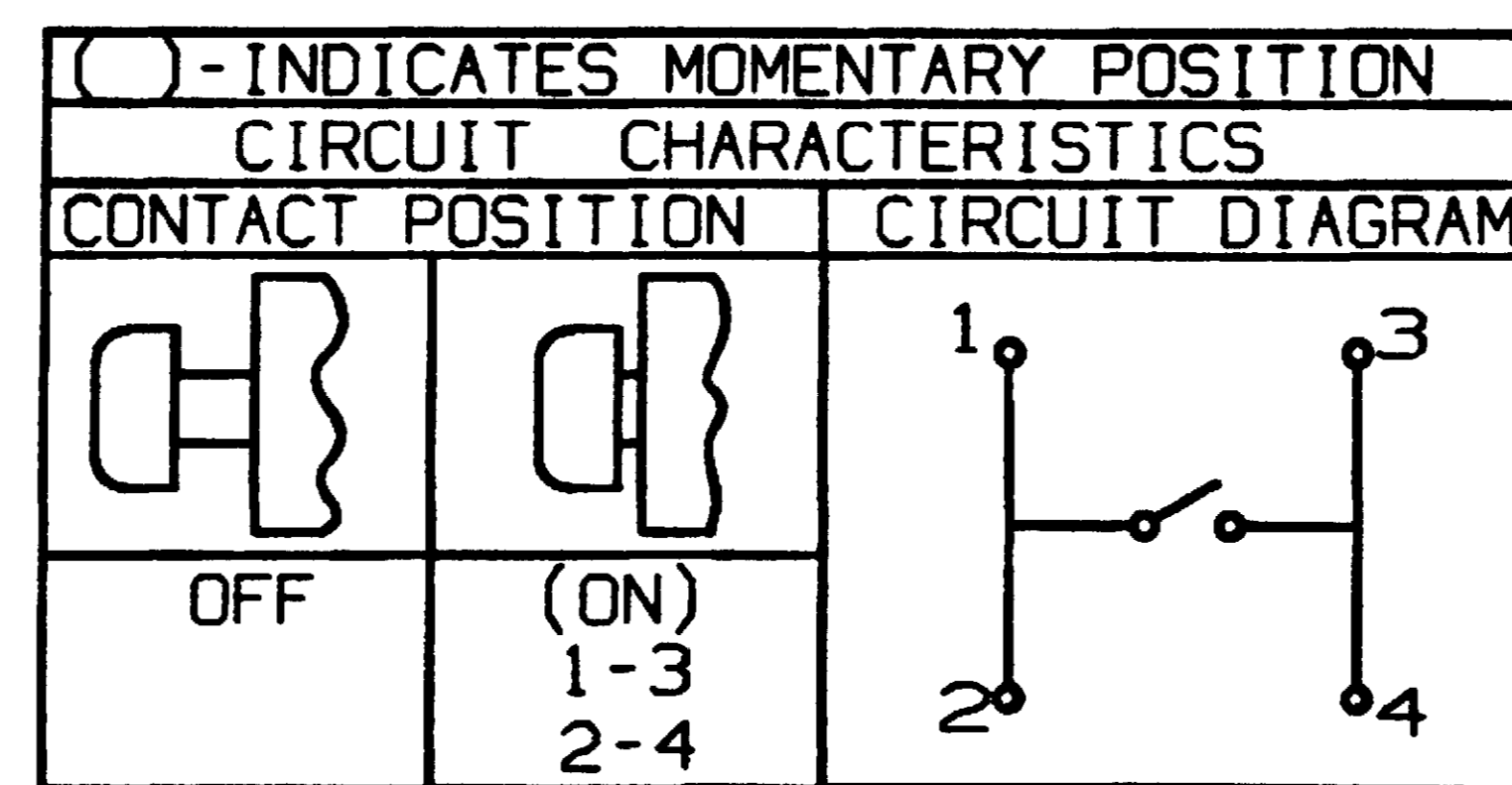
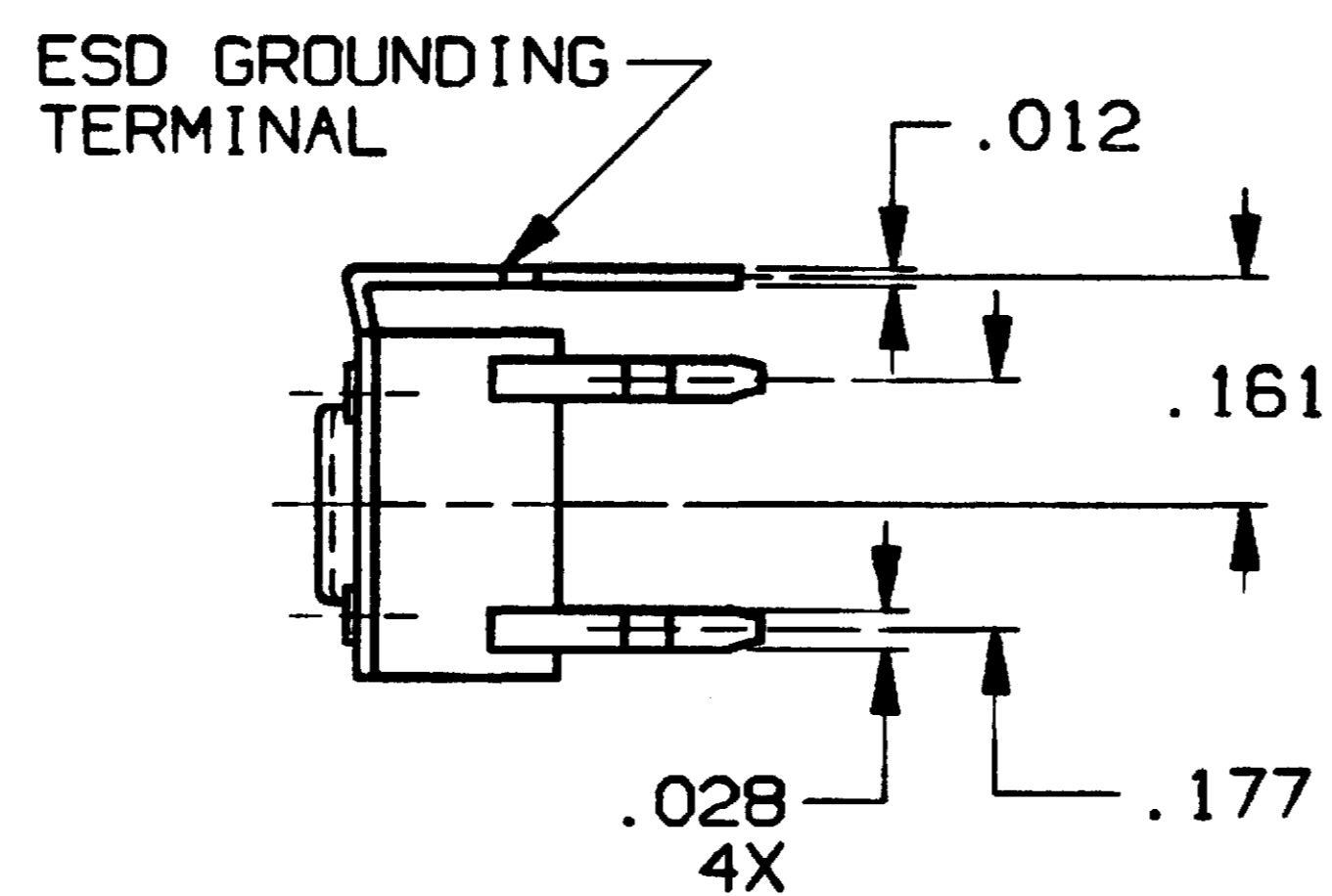
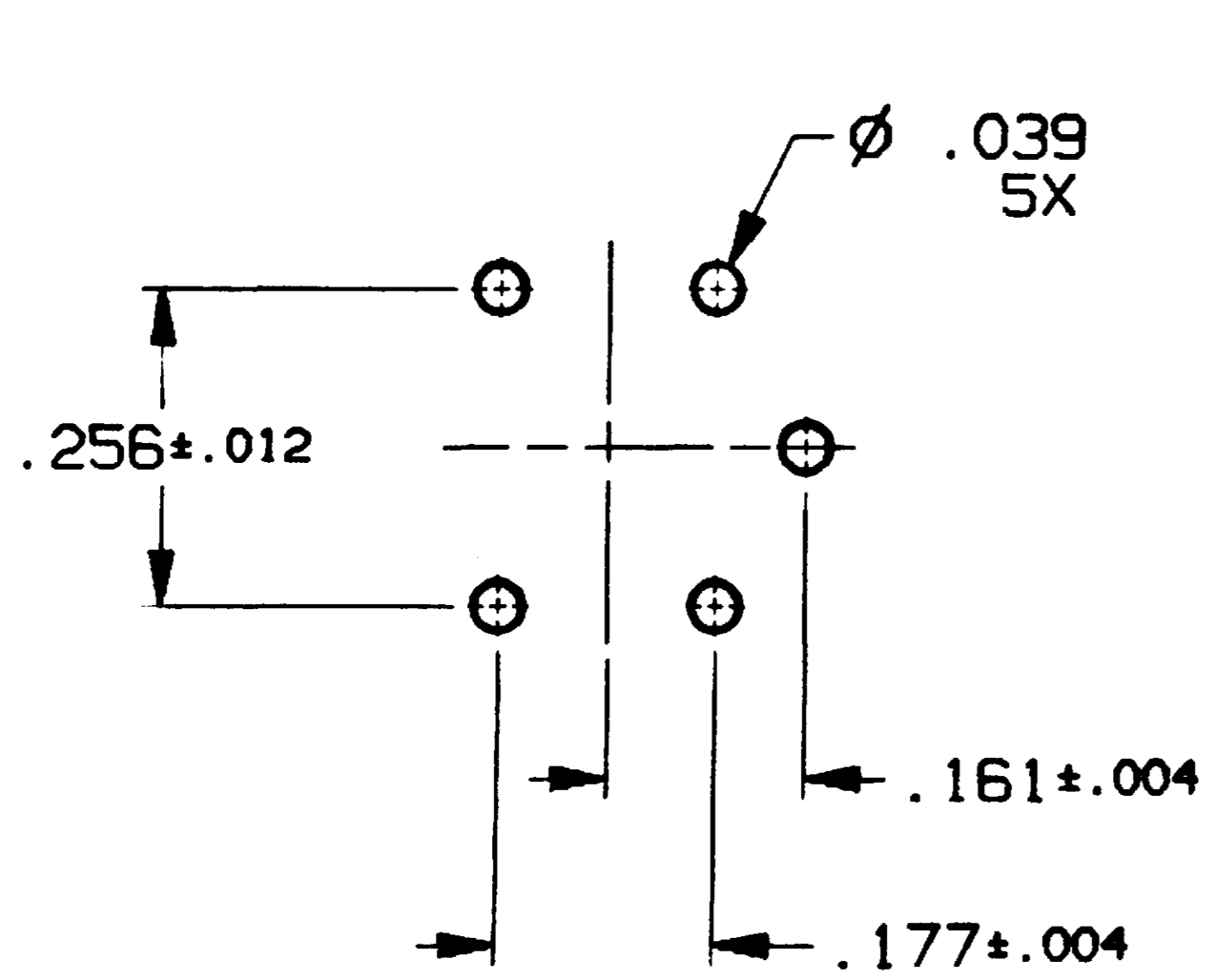
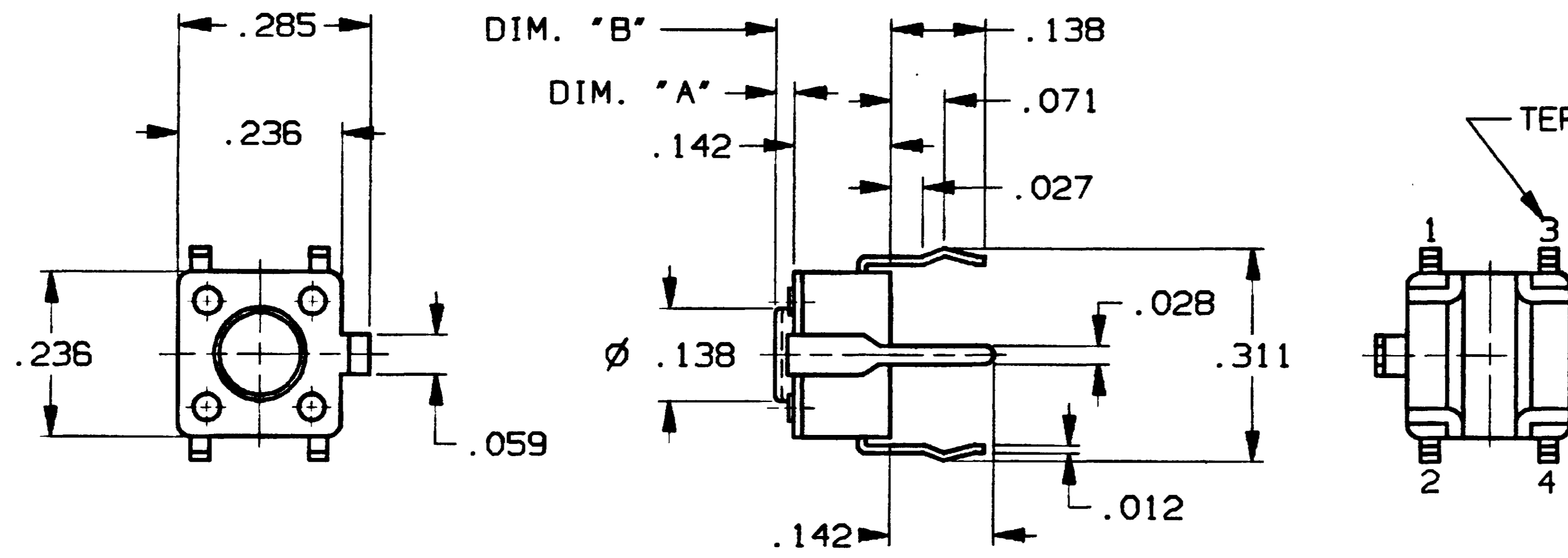


CONVERSION CHART			
INCH	MM	INCH	MM
.002	0.05	.287	7.30
.004	0.10	.311	7.90
.010	0.25	.315	8.00
.012	0.30	.335	8.51
.027	0.69	.370	9.40
.028	0.71	.374	9.50
.039	1.00	.512	13.00
.055	1.40	.527	13.39
.059	1.50	.669	17.53
.071	1.80		
.134	3.40		
.138	3.50		
.142	3.60		
.146	3.70		
.161	4.10		
.169	4.30		
.173	4.40		
.177	4.50		
.193	4.90		
.196	5.00		
.232	5.90		
.236	6.00		
.256	6.50		
.276	7.00		
.285	7.25		



2 SPECIFICATIONS:

MATERIALS:
CASE: POLYAMIDE, 94HB, COLOR: BLACK.
COVER: STAINLESS STEEL
ACTUATOR BUTTON: SEE TABLE.
MOVING CONTACT: COPPER ALLOY, SILVER CLAD.
FIXED CONTACT/TERMINALS: COPPER ALLOY, SILVER PLATE.

5 ELECTRICAL:
CONTACT RATING: 50mA @ 12 VDC.
INITIAL CONTACT RESISTANCE: 500 MILLIOHMS MAX.
INSULATION RESISTANCE: 500 MEGOHMS @ 500 VDC MIN.
DIELECTRIC STRENGTH: 250 VAC
LIFE EXPECTANCY: 20,000 CYCLES MIN.

5 MECHANICAL:
ACTUATION FORCE: SEE TABLE.
ACTUATION TRAVEL: .010 in. (0.25 mm).
SOLDER HEAT RESISTANCE: THROUGH 500°F PER MIL-STD-202 METHOD 210.

ENVIRONMENTAL:
OPERATING TEMPERATURE: -4°F TO +158°F (-20°C TO +70°C).
STORAGE TEMPERATURE: -22°F TO +176°F (-30°C TO +80°C).

NOTES:
1. INTERPRET DRAWING PER ASME Y14.5M-1994.

(*)	ACTUATION FORCE	ACTUATOR BUTTON COLOR
(BLANK)	100 TO 350g	SEE BELOW
L	50 TO 150g	BROWN
A	160 TO 400g	RED
AA	370 TO 620g	LIGHT BLUE

MODEL NO.	DIM. "A"	DIM. "B"	ACTUATOR BUTTON COLOR	ACTUATOR BUTTON MATERIAL
FSM1J*	.028	.169	BLACK	POLYESTER
FSM3J*	.055	.196	BLACK	POLYESTER
FSM5J*	.134	.276	BLUE	ACETAL
FSM7J*	.232	.374	BLACK	ACETAL
FSM9J*	.146	.287	IVORY	ACETAL
FSM11J*	.173	.315	WHITE	ACETAL
FSM13J*	.370	.512	BLACK	ACETAL
FSM15J*	.527	.669	BLACK	ACETAL
FSM17J*	.193	.335	BLACK	ACETAL

THIS IS A C.A.D. GENERATED DRAWING.
DO NOT MAKE MANUAL REVISIONS TO MASTER.

OUTLINE DRAWING
SPECIFICATIONS ARE SUBJECT TO CHANGES WITHOUT NOTICE

REV	0	1	2	3	4	5	6
REVISIONS	INITIAL RELEASE ESRA/4528 CMW 12-29-93 APP'D: J.SYLVIA 12-30	REVISED ECO#198-95 L.S. 4-5-95 APP'D: D.SARKISIAN 4-24	REVISED ECO#392-95 K.W. 6-8-95 APP'D: D.S. 7/10/95	REVISED ECO#554-95 T.D. 8-28-95 APP'D: D.S. 9-7-95	REVISED ECO#14-96 SEK 1-25-96 APP'D: WM 1-26-96	REVISED ECO#283-96 S.KIRCORTIAN 5-7-96 APP'D: W.MONTAGUE 5-96	REVISED ECO#691-96 TRU-D 11-20-96 APP'D: <i>Wally Kelly</i>

THIRD ANGLE PROJECTION

UNLESS OTHERWISE SPECIFIED DIMENSIONS ARE IN INCHES DO NOT SCALE PRINT

FILE NAME: 81074OUT | DIRECTORY: PSHSWTCH

MATERIAL: SEE SPECIFICATIONS

FINISH: SEE SPECIFICATIONS

AUGAT CONFIDENTIAL
This document contains information which is the exclusive property of Augat Inc. Distribution, reproduction or use by others is not permitted without the expressed written consent of Augat Inc.

ORIGINAL DATE OF DRAWING: 12-29-93

DRAWN: C.MORAN | DATE: 12-29-93

CHECKED: | DATE:

APPROVED: J.SYLVIA | DATE: 12-30-93

CODE IDENT. NO. 91506 | DWG. SIZE C

NEXT ASSY:

AUGAT 452 JOHN DIETSCH BLVD. ATTLEBORO FALLS, MASS. 02763 INC.

TITLE: **OUTLINE DRAWING**
MICRO-MINIATURE
PUSHBUTTON SWITCH
FSM1J - FSM17J

DWG. NO. 81074-SD | REV. 6

PRODUCT CODE: B18 | SCALE: SHEET 1 OF 1