

2-1825033-1 ✓ ACTIVE

[Alcoswitch](#) | [Alcoswitch DIP](#), [Alcoswitch Rotary DIP DRS](#)

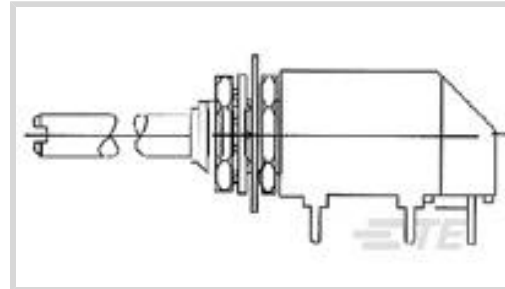
TE Internal #: 2-1825033-1

Alcoswitch DIP, Rotary Switches, 10 Position, Wheel Actuator Style, Rotary Switch Style, Rotary DIP Rotary Switch Type, 10 Switch, Thermoplastic

[View on TE.com >](#)



[Relays, Contactors & Switches](#) > [Switches](#) > [Rotary Switches](#)



Number of Rotary Switch Positions: **10**

Actuator Style: **Wheel**

Switch Style: **Rotary**

Rotary Switch Type: **Rotary DIP**

Number of Switches: **10**

Features

Product Type Features

Product Type	Switch
Illuminated	No
Actuator Style	Wheel
Switch Style	Rotary
Rotary Switch Type	Rotary DIP
Sealed Rotary Switch	No
Code Type	BC Decimal

Configuration Features

Number of Rotary Switch Positions	10
Number of Switches	10

Electrical Characteristics

Rotary Switch Voltage Rating	20 VAC
------------------------------	--------

Contact Features

Solder Tail Contact Plating	Gold Flash over Nickel
Rotary Switch Contact Current Rating	.4 A
Rotary Switch Contact Mating Area Plating Material	Gold Flash
Contact Base Material	Copper Alloy

Mechanical Attachment



Rotary Switch Mounting Type	Through Hole
-----------------------------	--------------

Rotary Switch Mounting Angle	Vertical
------------------------------	----------

Housing Features

Centerline	2.54 mm[.1 in]
------------	----------------

Rotary Switch Housing Material	Thermoplastic
--------------------------------	---------------

Usage Conditions

Oil-Tight	No
-----------	----

Industry Standards

UL Flammability Rating	UL 94V-0
------------------------	----------

Packaging Features

Packaging Method	Tube
------------------	------

Product Compliance

[For compliance documentation, visit the product page on TE.com>](#)

EU RoHS Directive 2011/65/EU	Compliant
------------------------------	-----------

EU ELV Directive 2000/53/EC	Compliant
-----------------------------	-----------

China RoHS 2 Directive MIIT Order No 32, 2016	No Restricted Materials Above Threshold
---	---

EU REACH Regulation (EC) No. 1907/2006	Current ECHA Candidate List: JUN 2020 (209) Candidate List Declared Against: JAN 2019 (197) Does not contain REACH SVHC
--	---

Halogen Content	Not Low Halogen - contains Br or Cl > 900 ppm.
-----------------	--

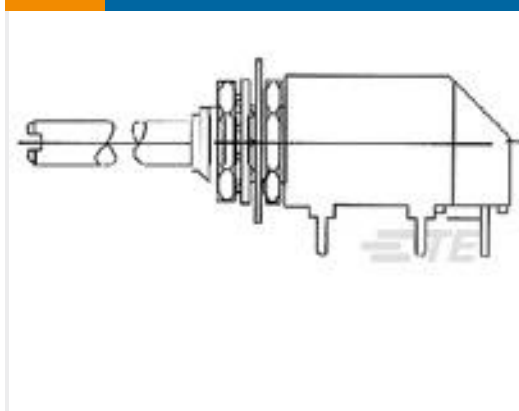
Solder Process Capability	Wave solder capable to 265°C
---------------------------	------------------------------

Product Compliance Disclaimer

This information is provided based on reasonable inquiry of our suppliers and represents our current actual knowledge based on the information they provided. This information is subject to change. The part numbers that TE has identified as EU RoHS compliant have a maximum concentration of 0.1% by weight in homogenous materials for lead, hexavalent chromium, mercury, PBB, PBDE, DBP, BBP, DEHP, DIBP, and 0.01% for cadmium, or qualify for an exemption to these limits as defined in the Annexes of Directive 2011/65/EU (RoHS2). Finished electrical and electronic equipment products will be CE marked as required by Directive 2011/65/EU. Components may not be CE marked. Additionally, the part numbers that TE has identified as EU ELV compliant have a maximum concentration of 0.1% by weight in homogenous materials for lead, hexavalent chromium, and mercury, and 0.01% for cadmium, or qualify for an exemption to these limits as defined in the Annexes of Directive 2000/53/EC (ELV). Regarding the REACH Regulation, the information TE provides on SVHC in articles for this part number is based on the latest European Chemicals Agency (ECHA) 'Guidance on requirements for substances in articles' posted at this URL: <https://echa.europa.eu/guidance-documents/guidance-on-reach>



Compatible Parts



TE Model / Part # 3-1825033-1
DRW1604=Rot Dip,w/Wheel



TE Model / Part # 1-1825008-4
DRW10RAE04=ROT DIP,R/A




TE Model / Part # 1-1825008-6
DRW16RA04=Rot Dip,R/A


Also in the Series | Alcoswitch DIP



DIP & SIP Switches(256)




Rotary Switches(34)



Switch Boots & Accessories(1)

Also in the Series | Alcoswitch Rotary DIP DRS



Rotary Switches(8)


Customers Also Bought



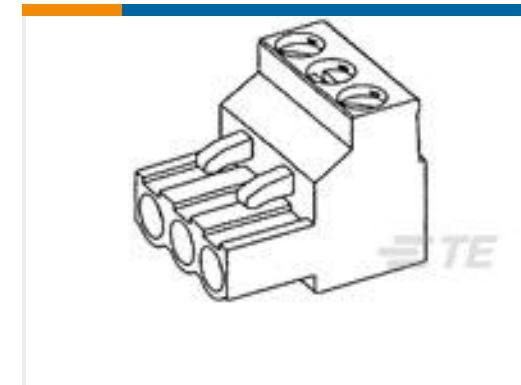
TE Model / Part #6-1437655-2
6WWW-08-008=#6 TRIBARRIER TERM



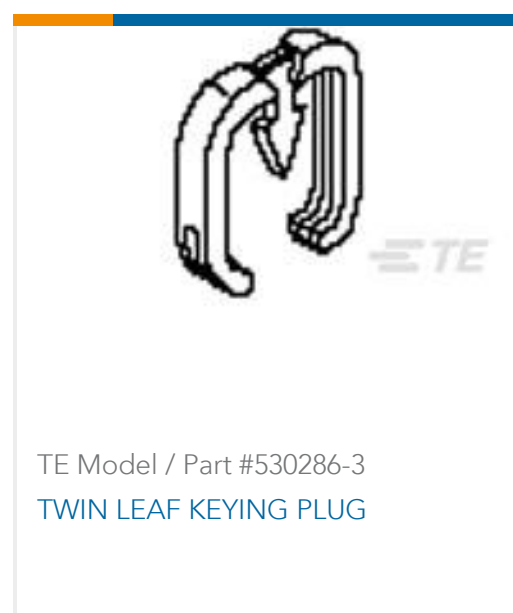
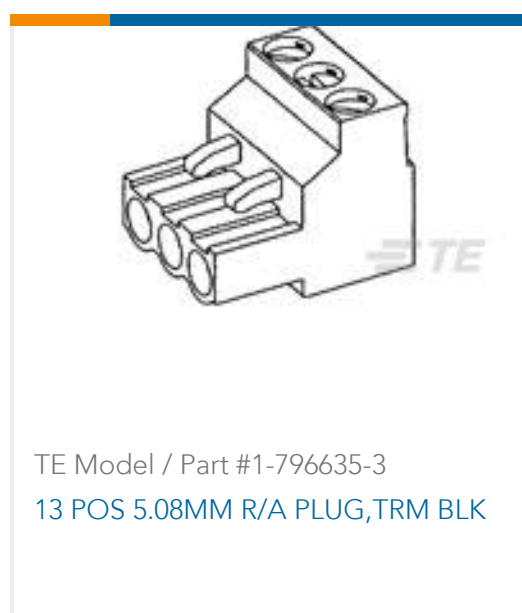
TE Model / Part #2-796608-4
6WWW-16-008=#6 TRIBARRIER



TE Model / Part #3-1546159-0
6WWW-10-008=#6 TRIBARRIER TERM



TE Model / Part #1-796634-3
13 POS 5.08MM R/A PLUG,TRM BLK



Documents

Product Drawings

[DRW1004=Rot Dip,w/Wheel](#)

English

CAD Files

3D PDF

3D

Customer View Model

[ENG_CVM_CVM_2-1825033-1_A.2d_dxf.zip](#)

English

Customer View Model

[ENG_CVM_CVM_2-1825033-1_A.3d_igs.zip](#)

English

Customer View Model

[ENG_CVM_CVM_2-1825033-1_A.3d_stp.zip](#)

English

By downloading the CAD file I accept and agree to the [Terms and Conditions](#) of use.

Datasheets & Catalog Pages

[SWITCHES_CORE_PROGRAM_CATALOG](#)

English