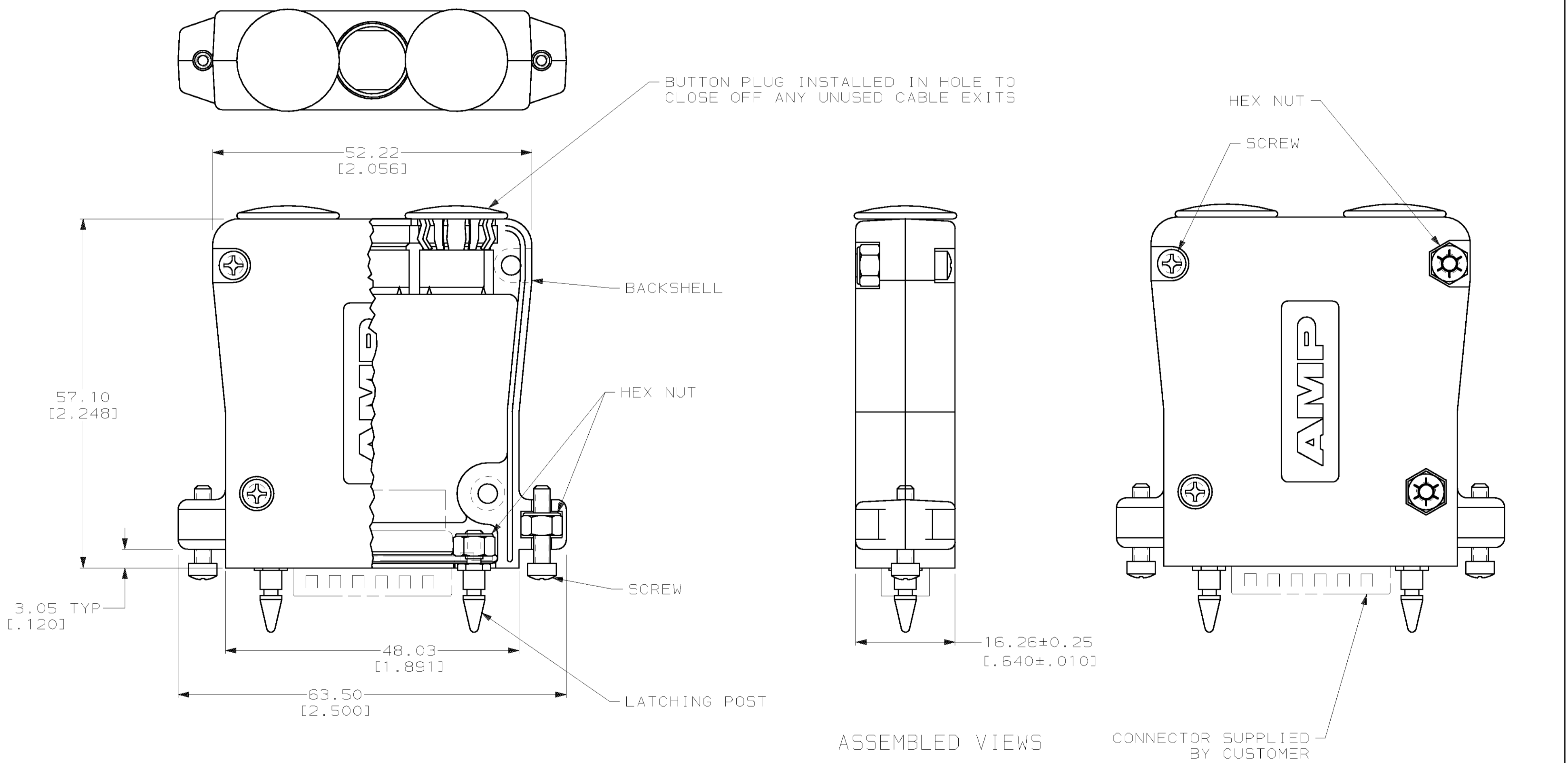
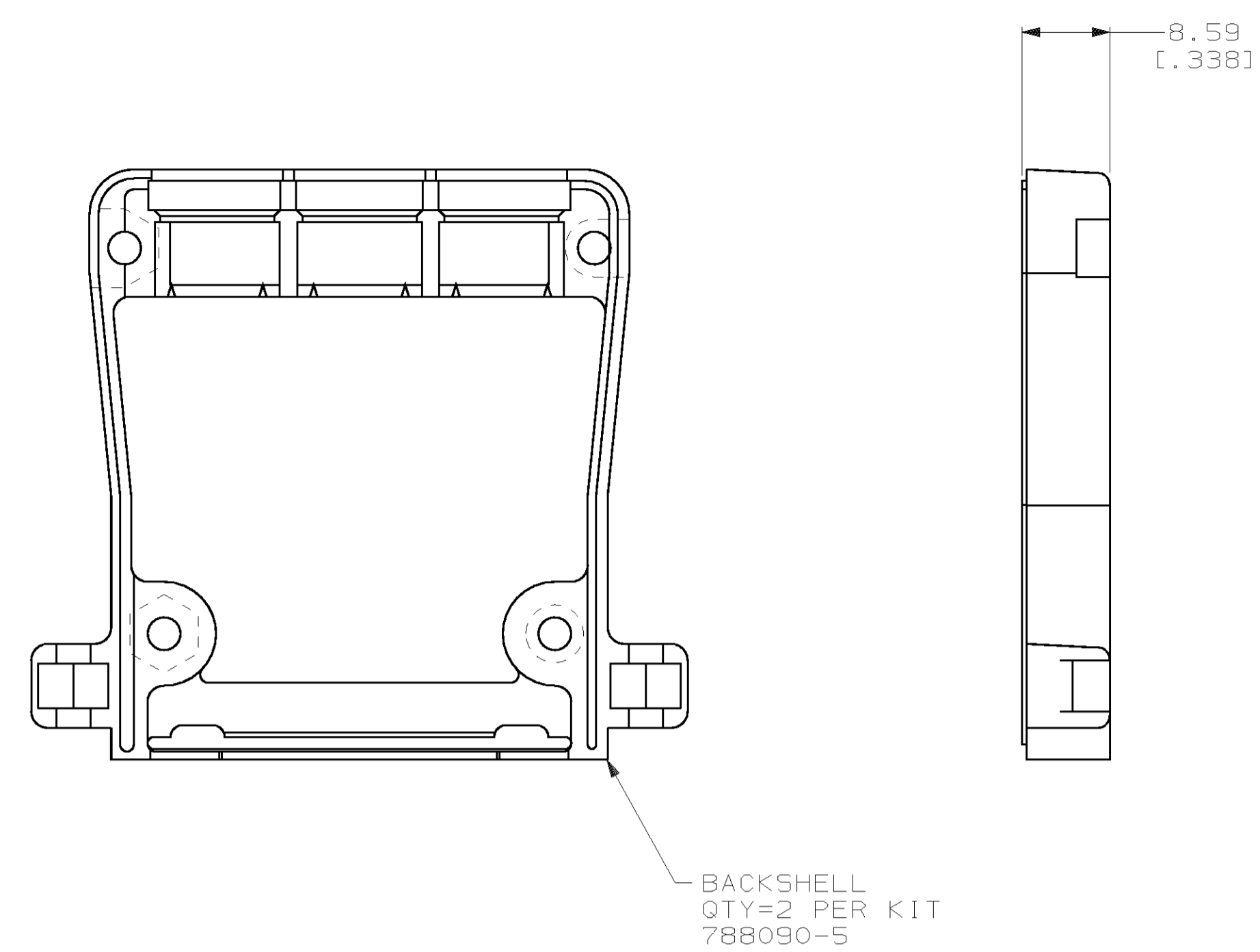
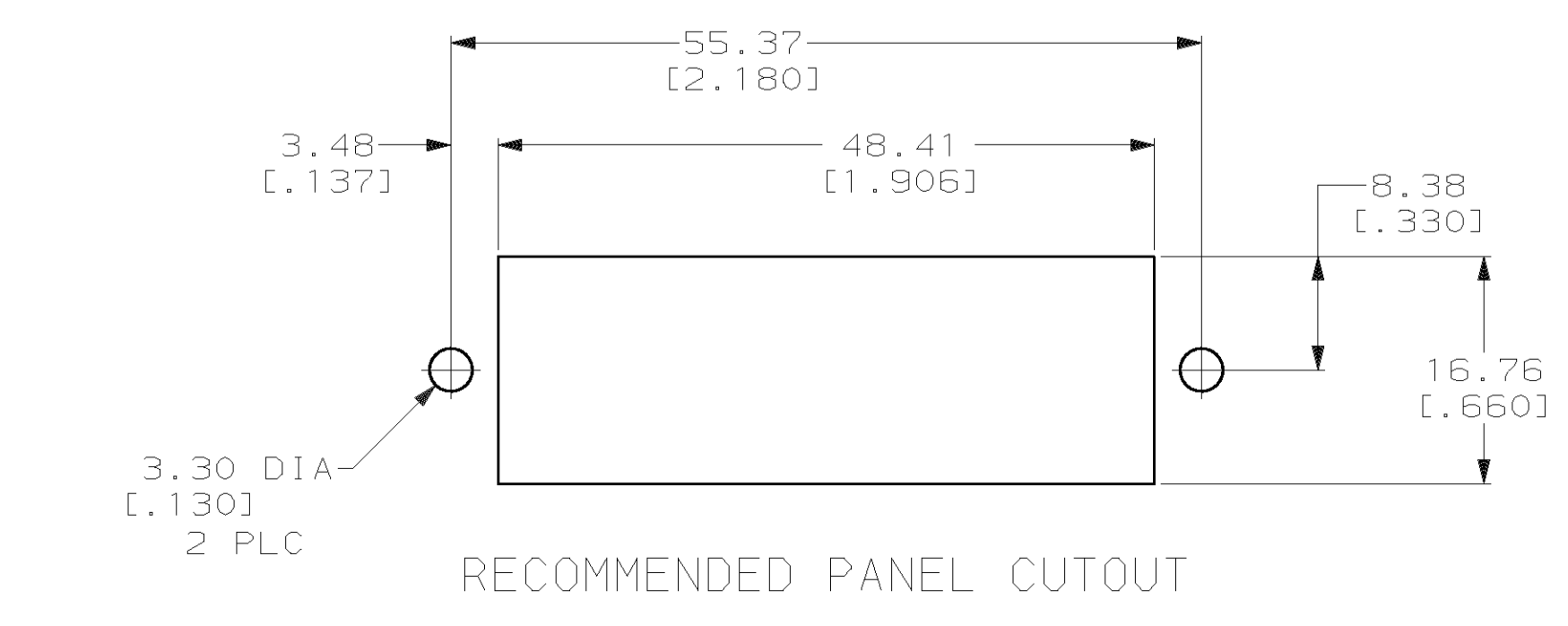


LOC	DIST	REV	DATE	BY	APPV
E	RLSE	PER NPR 23	11 APR 97	WGL	-
F	REV	PER EC 0320-159-97	20 MAY 97	BC	DK
G	REV	PER EC 0320-169-97	28 MAY 97	MB	GM
H	REV	PER EC 0640-321-98	28 AUG 98	MB	JO
J	REV	PER EC 0640-404-98	16 OCT 98	CO	JO
K	REV	PER EC 0U10-0021-99	8 MAR 00	JEB	CB



- 1 BACKSHELL, ABS, NATURAL.
LATCHING POST: STAINLESS STEEL.
SCREW, HEX NUT, AND BUTTON: CARBON STEEL.
- 2 BACKSHELL: 4.57µm[.000180] MIN NICKEL OVER 7.62µm[.000300] MIN COPPER,
ALL OVER 0.25µm[.000010] MIN ELECTROLESS NICKEL.
SCREW AND HEX NUT: ZINC; BUTTON: NICKEL; LATCHING POST: PASSIVATED.
- 3 KITS ARE INDIVIDUALLY PACKED.
- 4 KITS ARE BULK PACKED.



4	788074-2
3	788074-1
PART NUMBER	

THIS DRAWING IS A CONTROLLED DOCUMENT.		DWN W.G.LENKER 14 APR 97	03 OCT 96	AMP AMP Incorporated Harrisburg, PA 17105-3608
DIMENSIONS: mm (INCHES)		CHK R.STONE 14 APR 97	NAME G.D.MILLER	
TOLERANCES UNLESS OTHERWISE SPECIFIED:		PRODUCT SPEC 108-40032-1		BACKSHELL KIT, UNASSEMBLED, SIZE 2, IN-LINE, AMPLIMITE™
0 PLC ±.005 1 PLC ±.005 2 PLC ±.013 (1.005) 3 PLC ±.013 4 PLC ±.013 ANGLES ±.005		APPLICATION SPEC		
MATERIAL	FINISH	WEIGHT	SCALE	SIZE A1
CUSTOMER DRAWING		SCALE	2:1	CAGE CODE 00779
		SHEET	1 OF 1	DRAWING NO 788074
		REV		