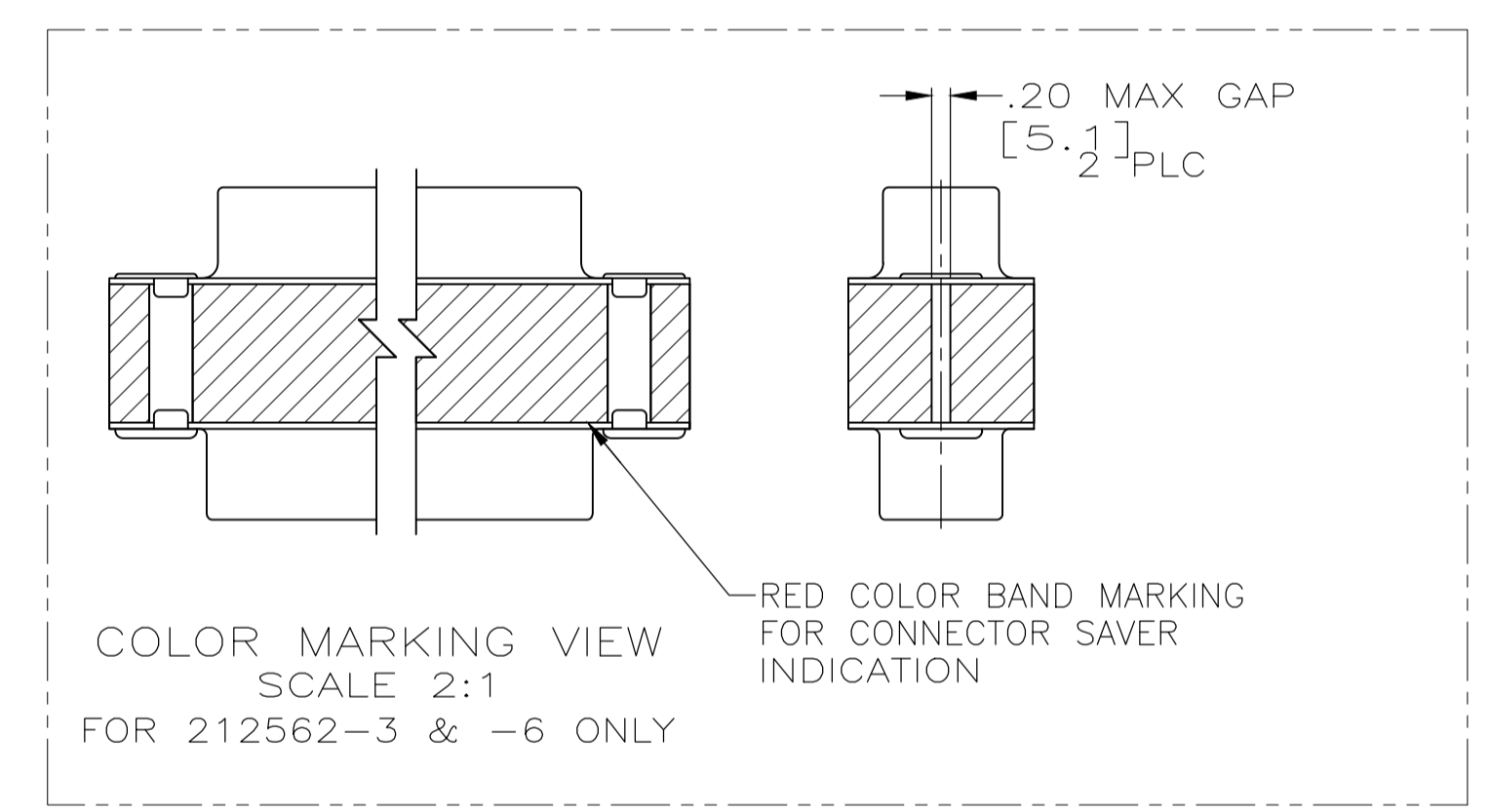
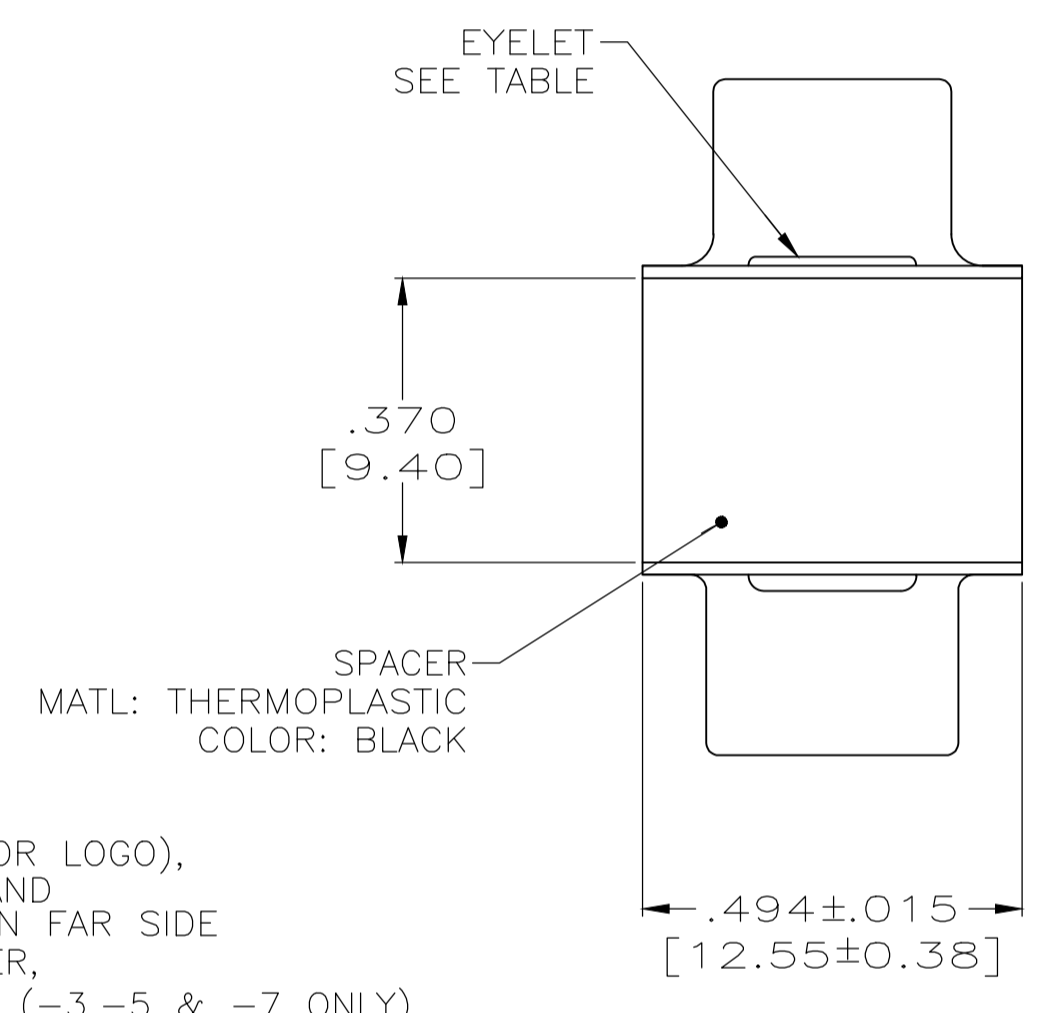
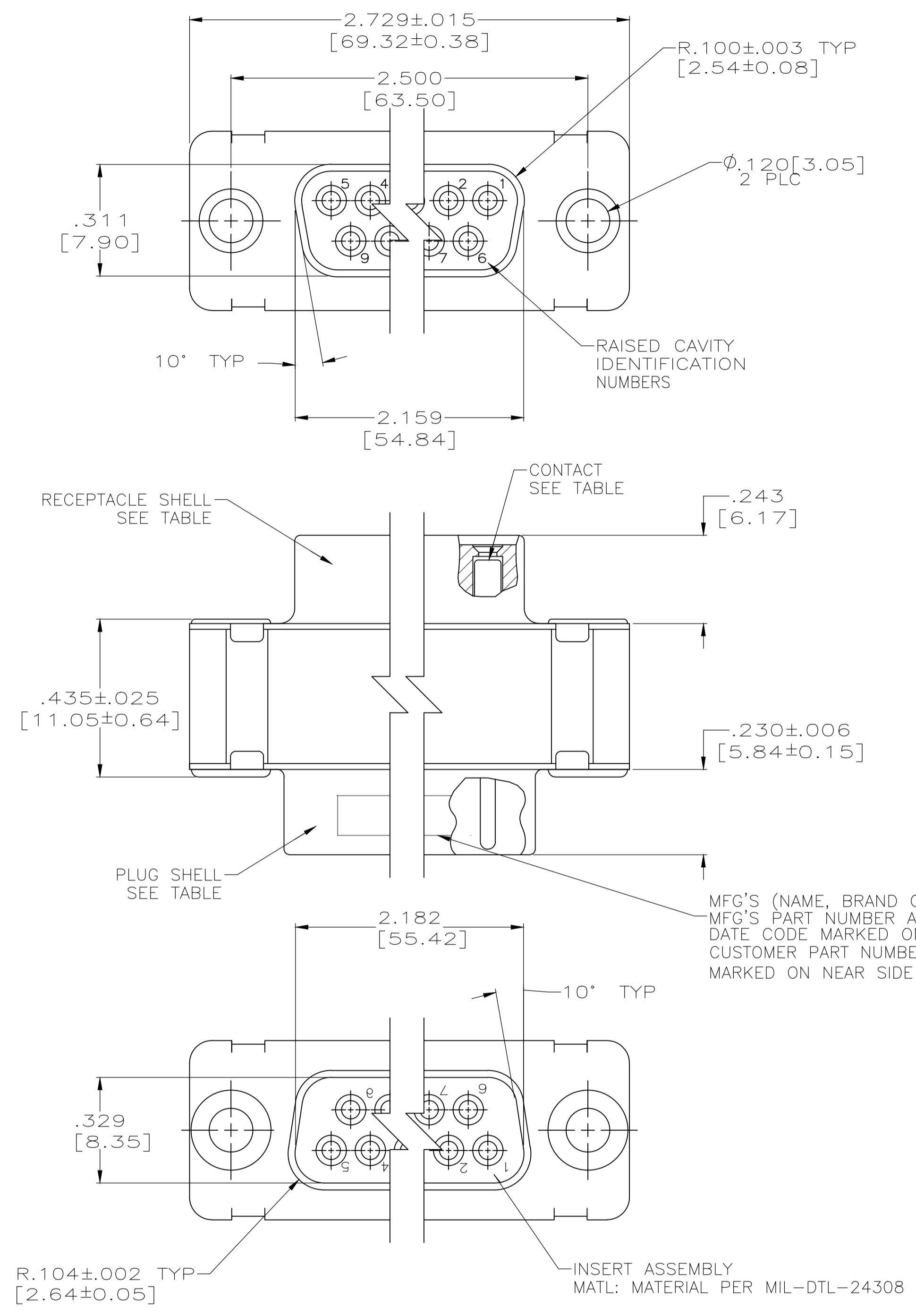


REVISIONS					
P	LTR	DESCRIPTION	DATE	DMN	APVD
U		REV PER ECO 18-019896	2-14-19	CT	DM



- 1. CONTACTS INCLUDED IN ASSEMBLY EXCEPT FOR 212562-7.
- △ MATL: STEEL, PER ASTM-A-109.
- △ FINISH: CADMIUM PER QQ-P-416.
- △ CONTACT
- BODY MATL: BERYLLIUM COPPER PER ASTM-B-197.
- BODY FINISH: PLATED GOLD, .000050 MIN THK PER MIL-G-45204 OVER NICKEL, .000050 MIN THK PER QQ-N-290.
- HOOD MATL: STAINLESS STEEL PER ASTM-A-167.
- HOOD FINISH: PASSIVATED PER ASTM-A-380.
- △ FINISH: PLATED ZINC .00020 MIN THK PER ASTM-B-633. YELLOW CHROMATE FINISH.
- △ MATL: BRASS PER ASTM-B-36.
- △ FINISH: PLATED GOLD, .000050 MIN THK PER MIL-G-45204 OVER COPPER, .000100 MIN THK PER MIL-C-14550.
- △ CONTACT
- BODY MATL: BERYLLIUM COPPER PER ASTM-B-197.
- BODY AND HOOD FINISH: PLATED GOLD, .000050 MIN THK PER MIL-G-45204 OVER COPPER, .000100 MIN THK PER MIL-C-14550.
- HOOD MATL: BRASS PER ASTM-B-36

△ △	△ △	---	PT2-111-4	212562-7
△ △	△ △	△	4U884 SOCN R10002677-0104	212562-6
△ △	△ △	△	PT2-111-10	212562-5
△ △	△ △	△	-	212562-4
△ △	△ △	△	(1J02-104)	212562-3
△ △	△ △	△	-	212562-2
△ △	△ △	△	-	212562-1
EYELET	SHELLS	CONTACT	CUSTOMER P/N	PART NO.

OBSOLETE

THIS DRAWING IS A CONTROLLED DOCUMENT.		DIN 27-May-15 MANJUNATH G M		STE TE Connectivity													
DIMENSIONS: INCHES		TOLERANCES UNLESS OTHERWISE SPECIFIED:		APVD 27-May-15 CHARLES THOMAS													
<table border="1"> <tr><td>0 PLC</td><td>± .005</td></tr> <tr><td>1 PLC</td><td>± .005</td></tr> <tr><td>2 PLC</td><td>± .005</td></tr> <tr><td>3 PLC</td><td>± .005 (0.13)</td></tr> <tr><td>4 PLC</td><td>± .005</td></tr> <tr><td>ANGLES</td><td>± .005</td></tr> </table>		0 PLC	± .005	1 PLC	± .005	2 PLC	± .005	3 PLC	± .005 (0.13)	4 PLC	± .005	ANGLES	± .005	APPLICATION SPEC		NAME CONNECTOR SAVER, AMPLIMITE 37 POSITION, SIZE 4, SERIES 109	
0 PLC	± .005																
1 PLC	± .005																
2 PLC	± .005																
3 PLC	± .005 (0.13)																
4 PLC	± .005																
ANGLES	± .005																
MATERIAL		FINISH		SIZE CAGE CODE DRAWING NO A1 00779 C=212562													
CUSTOMER DRAWING		SCALE 4:1		SHEET 1 OF 1 REV U													