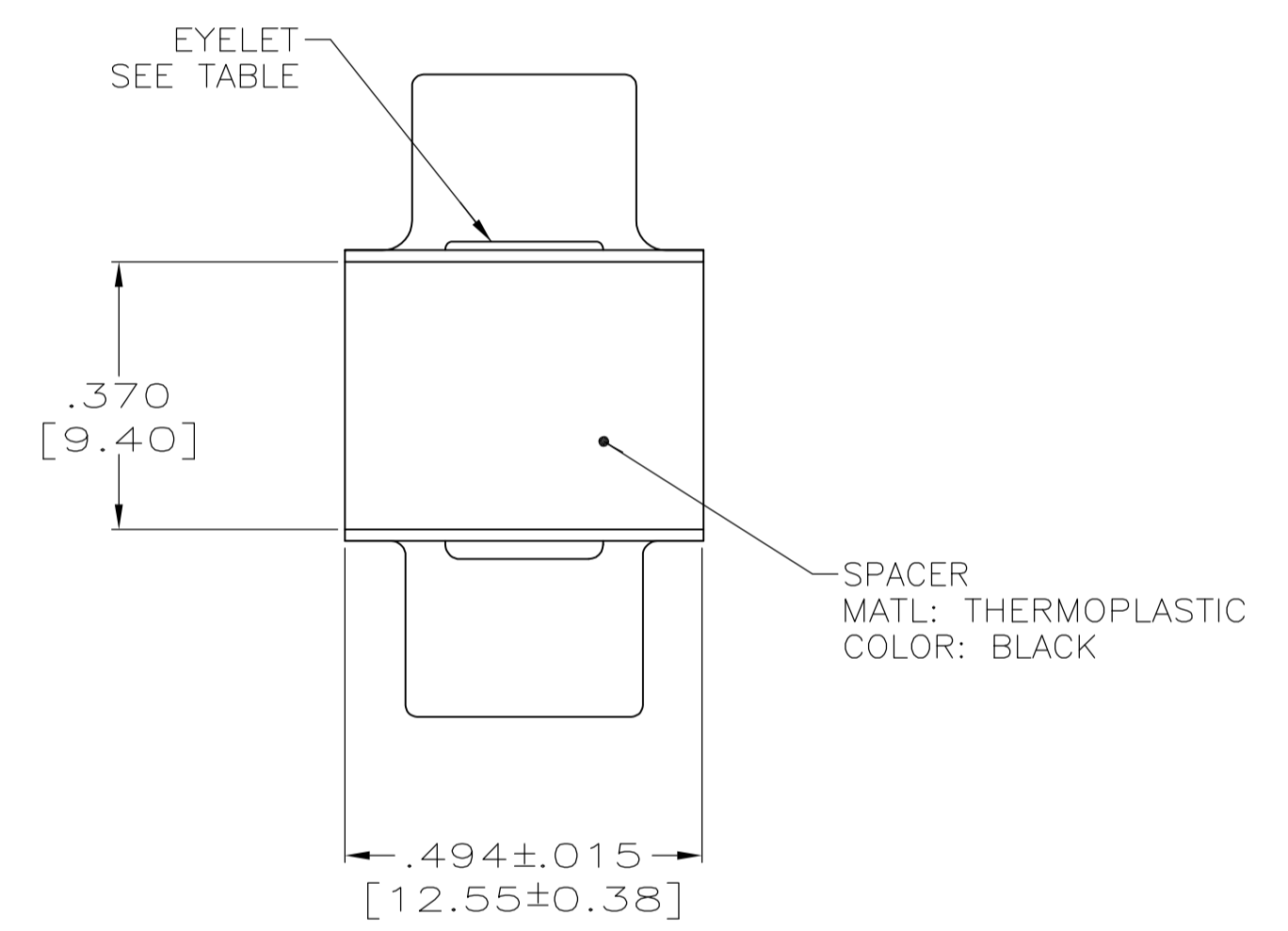
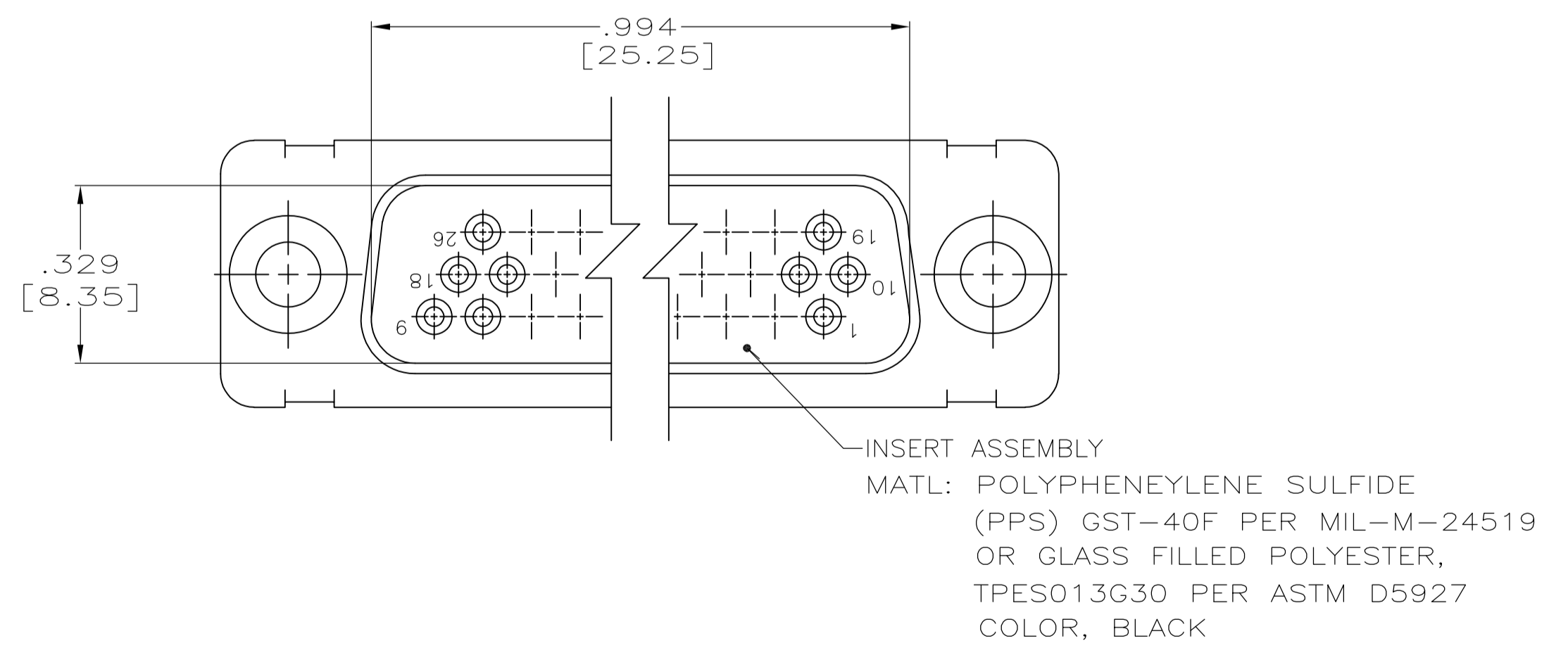
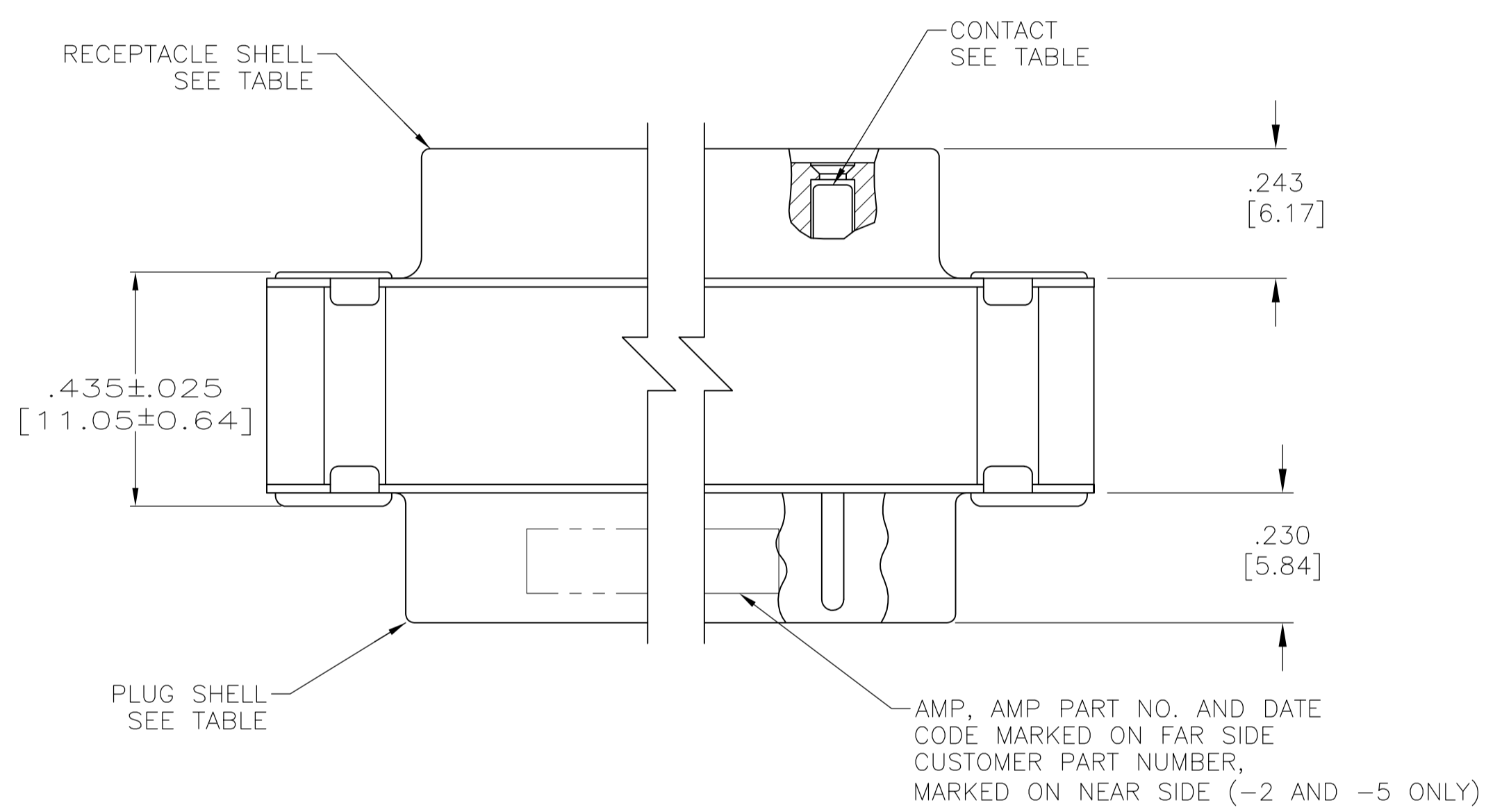
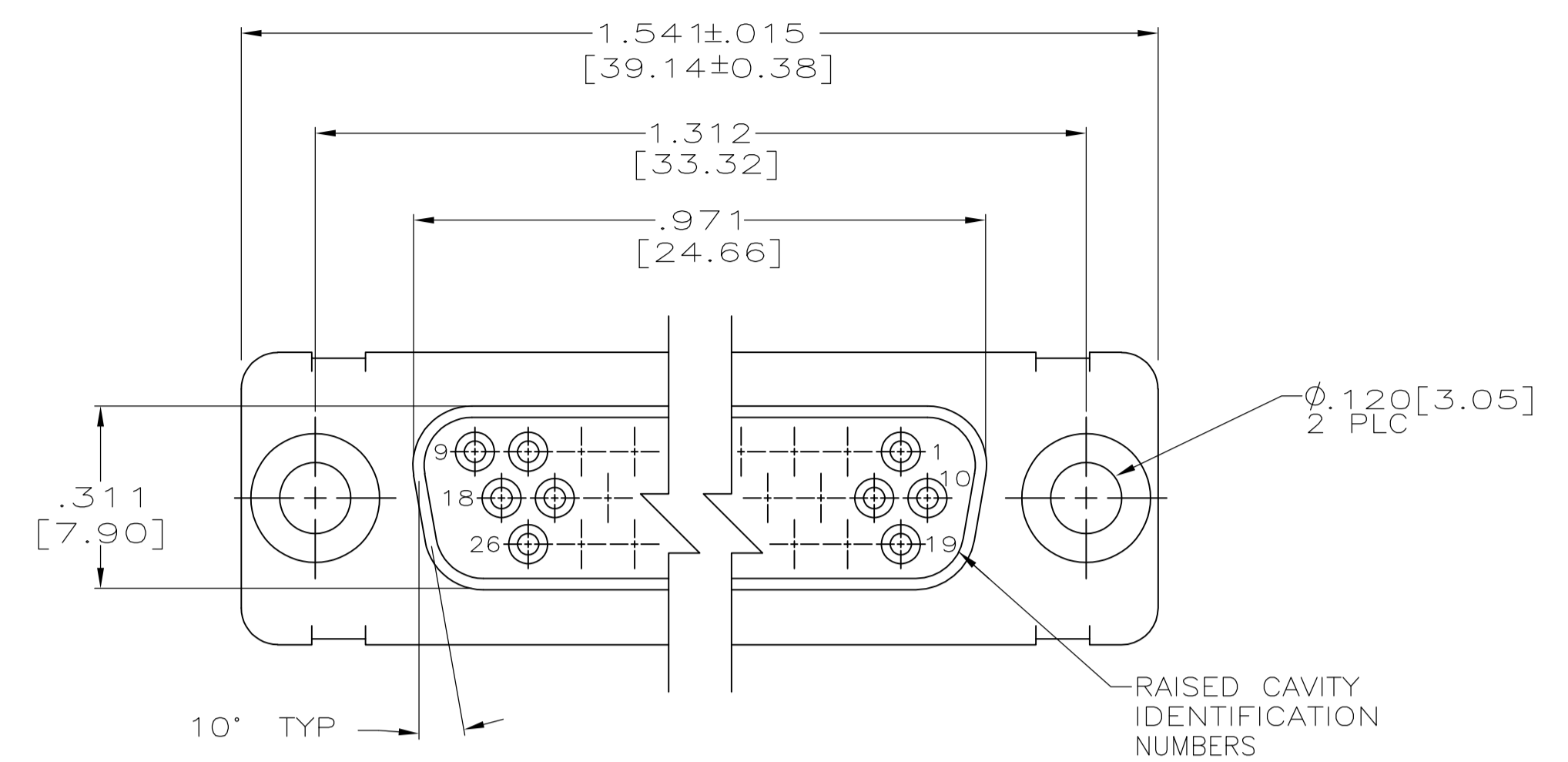
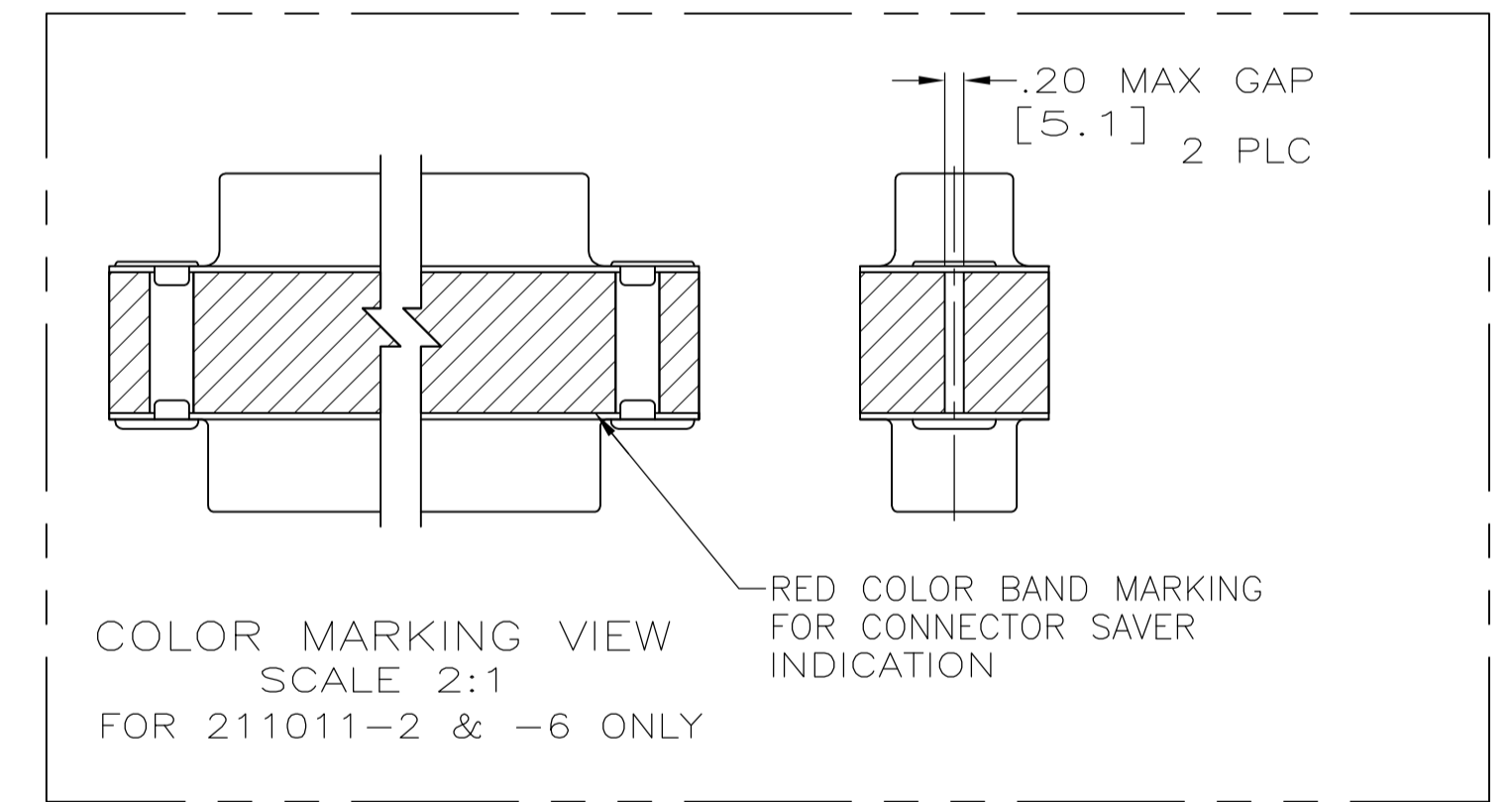


REVISIONS					
P	LTR	DESCRIPTION	DATE	DMN	APVD
V		REV PER ECO 17-000132	5-1-17	CT	DM



- CONTACTS INCLUDED IN ASSEMBLY.
 - MAT'L: STEEL, PER ASTM-A-109.
 - FINISH: CADMIUM PER QQ-P-416.
 - MAT'L: BRASS PER ASTM-B-36.
 - FINISH: PLATED ZINC .00020 MIN THK PER ASTM-B-633. YELLOW CHROMATE FINISH.
- CONTACT
 - BODY MAT'L: BERYLLIUM COPPER PER ASTM-B-197.
 - BODY FINISH: PLATED GOLD, .000050 MIN THK PER MIL-G-45204 OVER NICKEL, .000050 MIN THK PER QQ-N-290.
 - HOOD MAT'L: STAINLESS STEEL PER ASTM-A-240.
 - HOOD FINISH: PASSIVATED PER QQ-P-35.
 - FINISH: PLATED GOLD, .000050 MIN THK PER MIL-G-45204 OVER COPPER FLASH.
 - FINISH: PLATED GOLD, .000050 MIN THK PER MIL-G-45204 OVER COPPER, .000100 MIN THK PER MIL-C-14550.
- CONTACT
 - BODY MAT'L: BERYLLIUM COPPER PER ASTM-B-197.
 - BODY FINISH: PLATED GOLD, .000050 MIN THK PER MIL-G-45204 OVER COPPER, .000100 MIN THK PER MIL-C-14550.
 - HOOD MAT'L: COPPER ALLOY PER QQ-B-613.
 - FINISH: PLATED GOLD, .000050 MIN THK PER MIL-G-45204 OVER COPPER, .000100 MIN THK PER MIL-C-14550.



4	8	4	6	4U884 SOCN R10002677-0107	211011-6
4	8	4	6	2A091-002W-001	211011-5
4	8	4	9	-	211011-4
4	8	4	9	-	211011-3
4	8	4	6	(1J02-107)	211011-2
4	8	4	6	-	211011-1
EYELET	SHELLS	CONTACT	CUSTOMER P/N	PART NO.	

THIS DRAWING IS A CONTROLLED DOCUMENT.

DIMENSIONS: INCHES	TOLERANCES UNLESS OTHERWISE SPECIFIED:	DIN C.C.THOMAS 11-3-98	APVD J.NORTON 11-17-98	NAME
0 PLC ± -	1 PLC ± -	2 PLC ± -	3 PLC ± .005 [0.13]	4 PLC ± -
MATERIAL		FINISH	WEIGHT 0.000000	SIZE A1
CUSTOMER DRAWING		SCALE 4:1	SHEET 1 OF 1	REV V

STE TE Connectivity
CONNECTOR SAVER,AMPLIMITE 26 POSN.,SIZE 2,SERIES 90