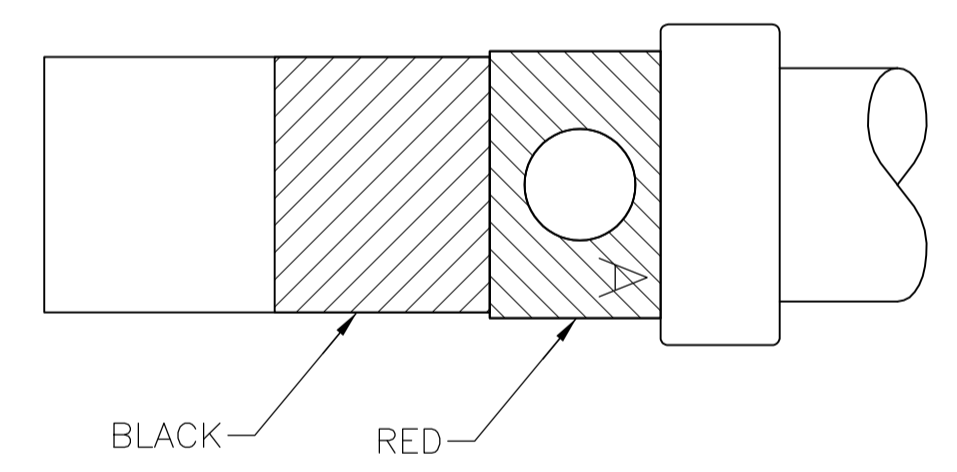
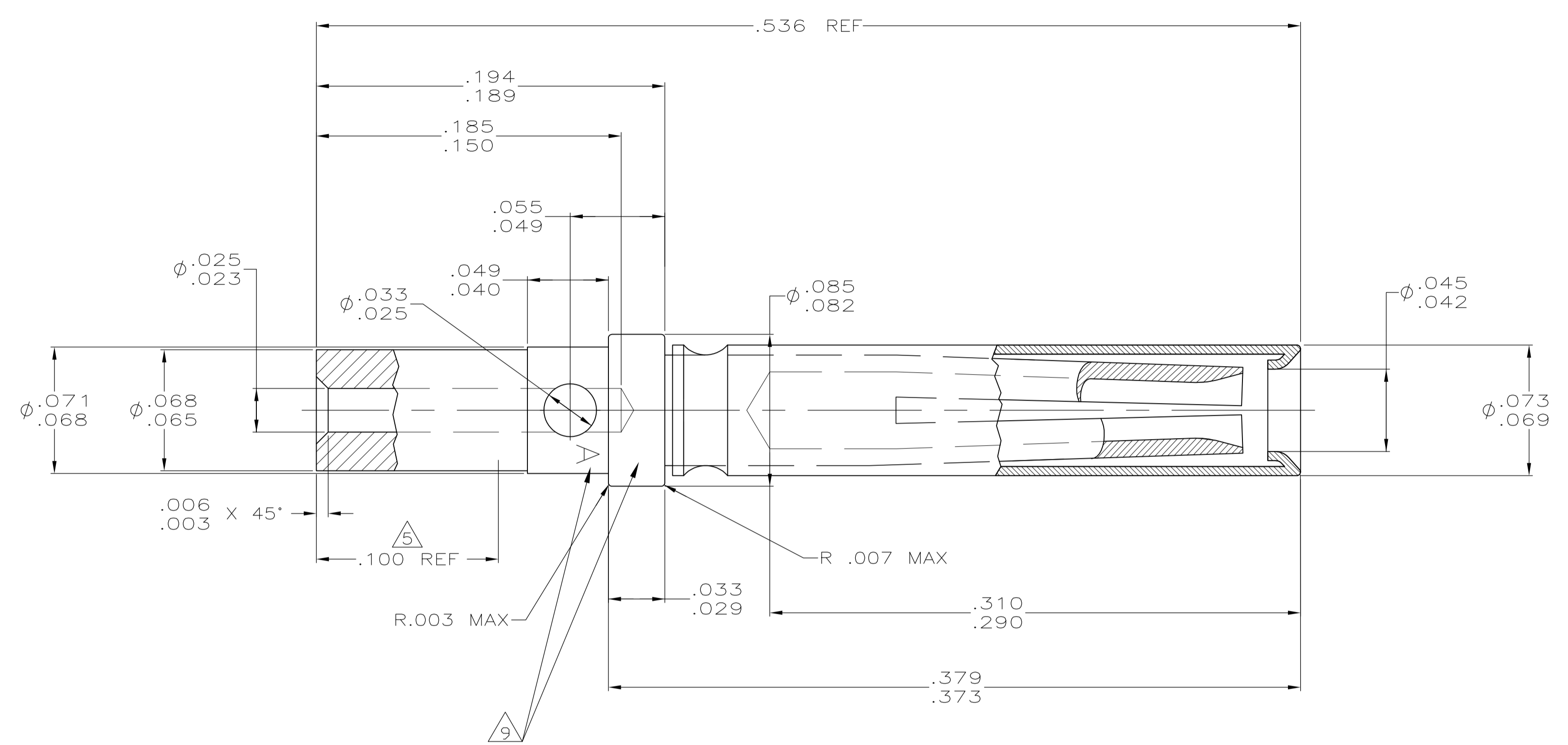
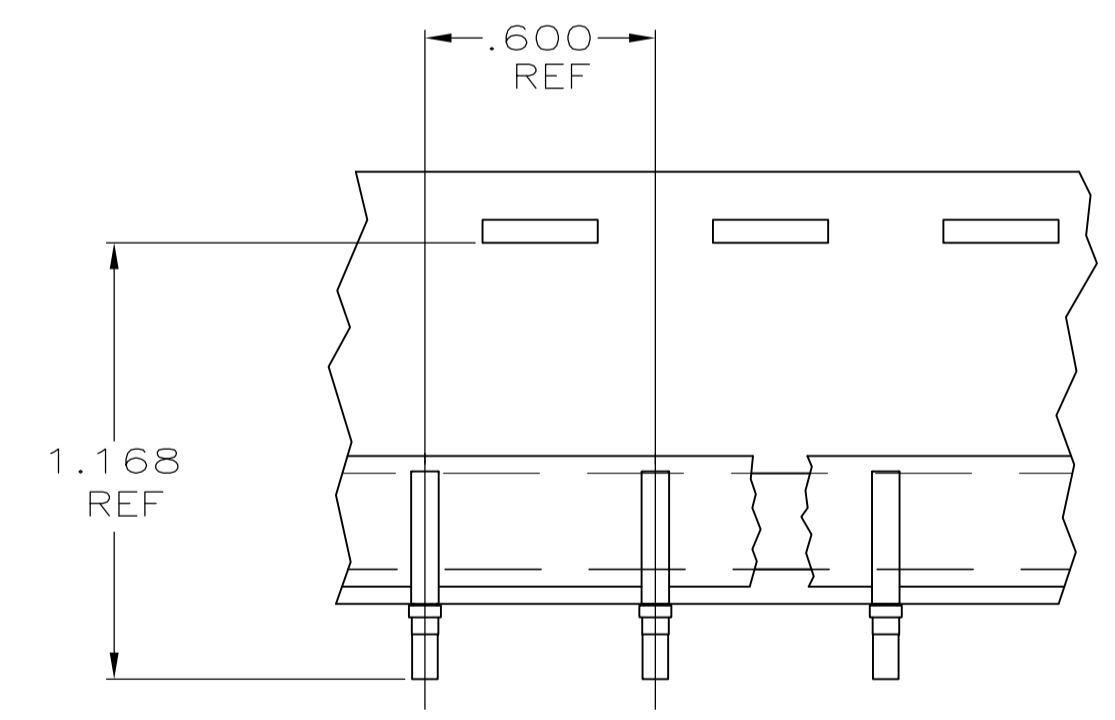


REVISIONS				
P	LTR	DESCRIPTION	DATE	OWN
G		REV PER ECO 16-001182	1-28-16	CT RL



COLOR BANDS  
PART NO 206795-3 ONLY



TAPE MOUNTED  
PART NO 206795-2 ONLY  
SCALE 2:1

1. ALL DIMENSIONS APPLY AFTER PLATING.
2. THIS CONTACT COMPLIES WITH MIL-C-24308/10, EXCEPT WIRE BARREL.
3. ALL DIAMETERS CONCENTRIC WITH EACH OTHER WITHIN .004 T.I.R.
4. ALL SURFACES HAVE  $63\sqrt{}$  FINISH OR BETTER UNLESS OTHERWISE SPECIFIED.
5. POINT OF PLATING MEASUREMENT .100 FROM WIRE BARREL END OF CONTACT.
6. SLEEVE MAY BE CRIMPED OR DIMPLED ON TO CONTACT BODY.
7. OPTIONAL LOCATION FOR STAMPED LETTER "A"

RESTRICTED TO SPACE SYSTEMS LORAL	206795-6
RESTRICTED TO SPACE SYSTEMS LORAL	206795-5
SUPERSEDED BY -2 SAME AS -3 EXCEPT TAPE MOUNTED	206795-4
SAME AS -1 EXCEPT COLOR COATED	206795-3
SAME AS -1 EXCEPT TAPE MOUNTED	206795-2
AS SHOWN	206795-1
DESCRIPTION	PART NUMBER

THIS DRAWING IS A CONTROLLED DOCUMENT.		DIN C.C.THOMAS 1-17-03		TE Connectivity	
DIMENSIONS: INCHES		CHK D.MILLER 1-17-03		NAME	
TOLERANCES UNLESS OTHERWISE SPECIFIED:		APP'D D.MILLER 1-17-03		PRODUCT SPEC	
0. PLC ± -		APPLICATION SPEC		SIZE	
1. PLC ± -		WEIGHT		CAGE CODE	
2. PLC ± -		A1 00779		DRAWING NO	
3. PLC ± -		C=206795		RESTRICTED TO	
4. PLC ± -		CUSTOMER DRAWING		SCALE	
ANGLES ± °		SCALE 20:1		SHEET 1 OF 1	
MATERIAL SEE CALOUT		FINISH SEE CALOUT		REV G	