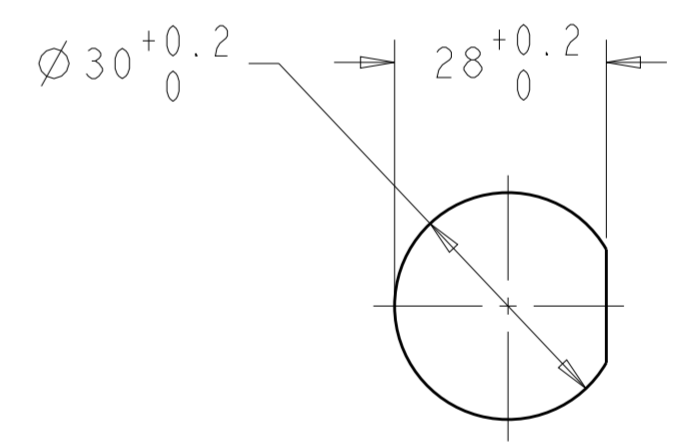
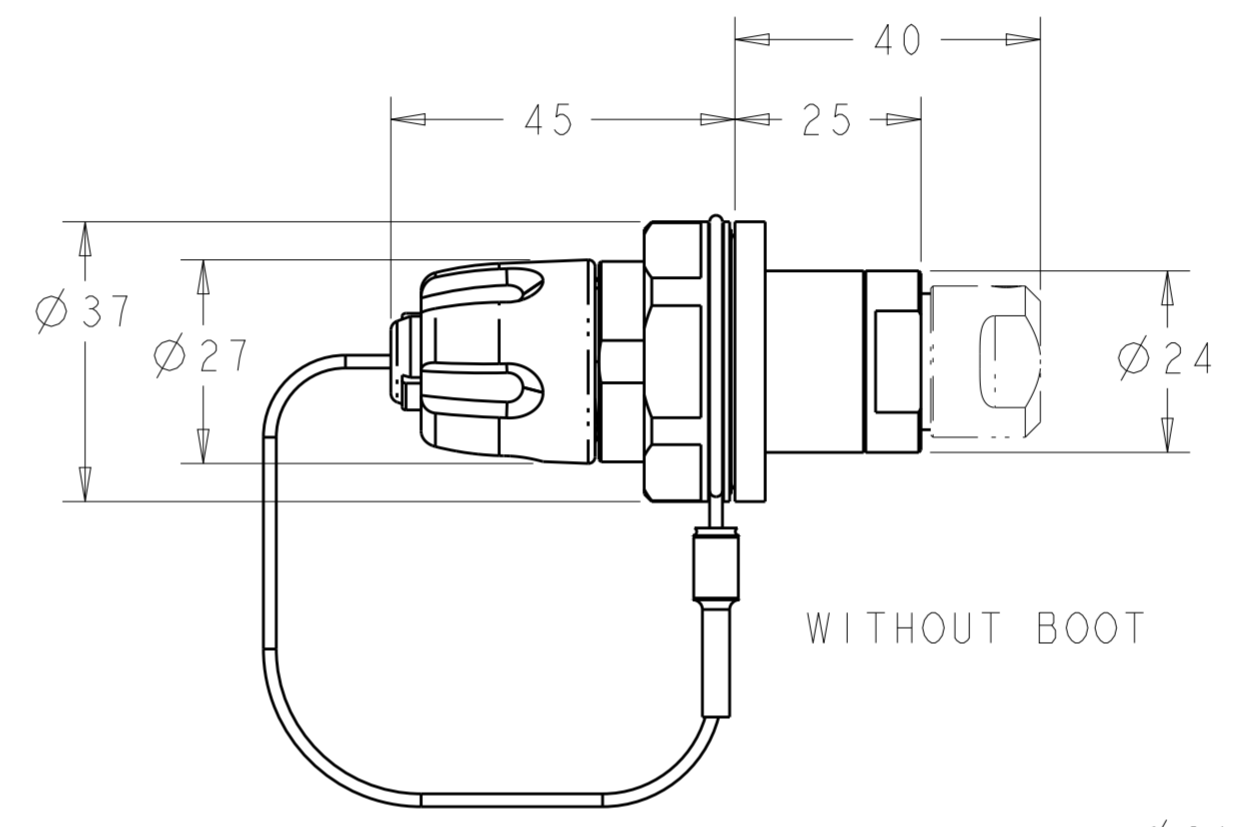
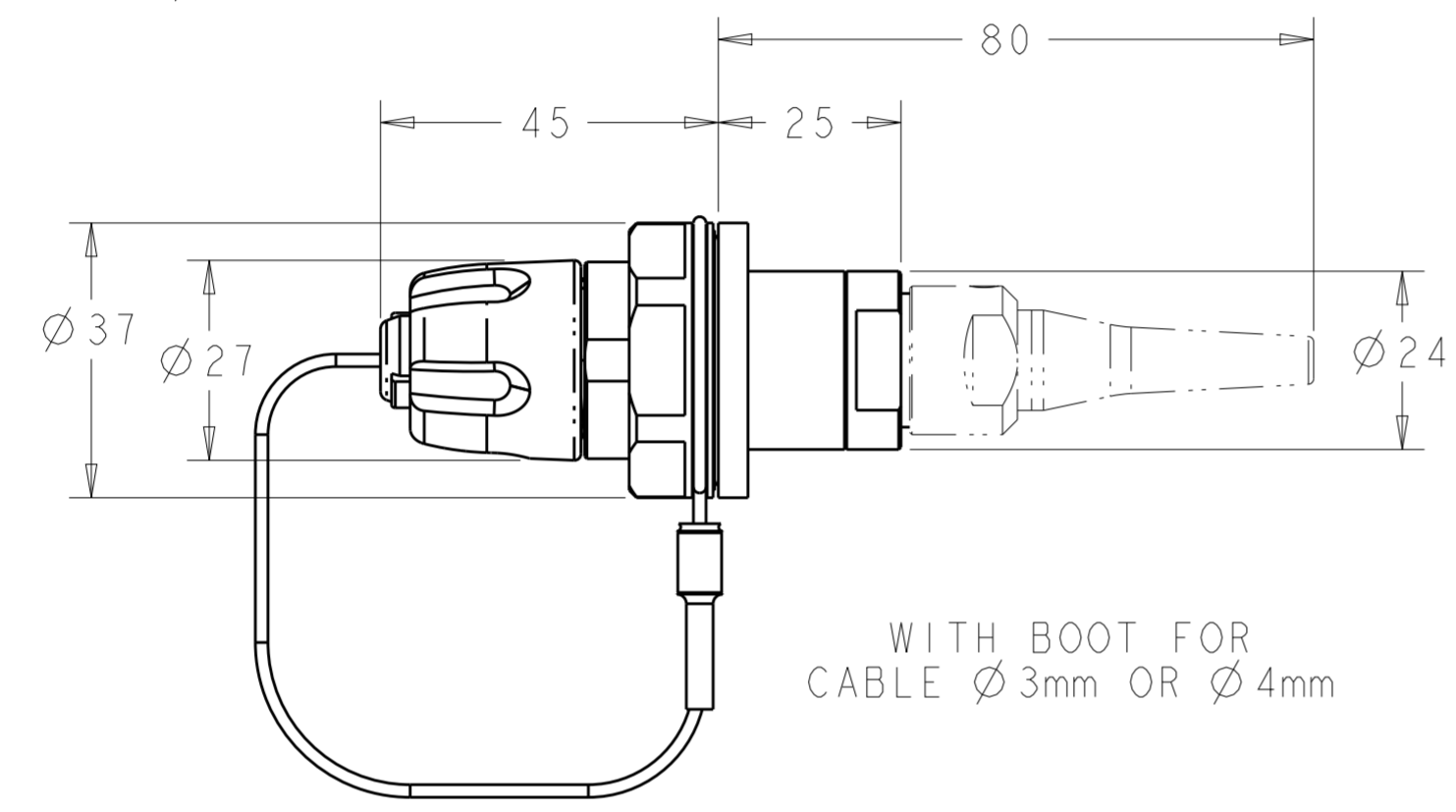


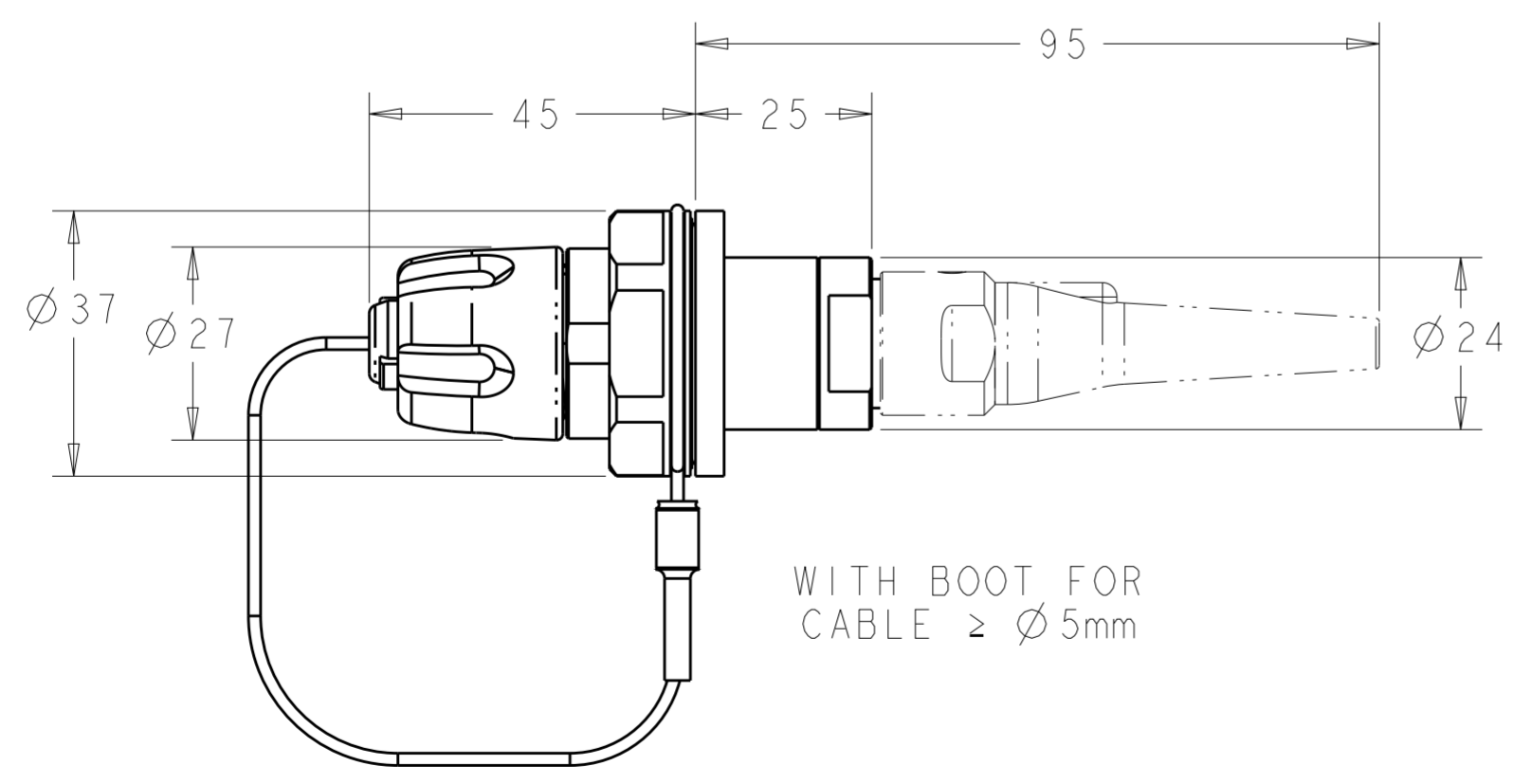
THIS DRAWING IS UNPUBLISHED. RELEASED FOR PUBLICATION 20
 © COPYRIGHT 20 BY - ALL RIGHTS RESERVED.

REVISIONS				
P	LTR	DESCRIPTION	DATE	APVD
B		ECR-17-013282	19SEP2017	KG DW

1. ASSEMBLY SHOWN FOR REFERENCE ONLY. SHIPPED LOOSE PIECE AS SHOWN ON PAGE 2.
2. ALL ASSEMBLY DIMENSIONS ARE FOR REFERENCE ONLY.
3. \triangle PANEL THICKNESS: 1mm MINIMUM, 6.5mm MAXIMUM. TIGHTEN PANEL NUT OF INSTALLED CONNECTOR TO 40 N-m (29.5 FT-LB) FOR BEST PERFORMANCE.
4. COMPLETE THE CONNECTOR ASSEMBLY BY ADDING EACH OF THE FOLLOWING PRO BEAM JR KITS:
 - A. EXPANDED BEAM INSERT ASSEMBLY KIT
 - B. CABLE ADAPTER KIT, SIZED TO THE CABLE JACKET DIAMETER
 - C. FERRULE KIT, ONE PER FIBER



RECOMMENDED PANEL \triangle CUT-OUT



VIEWS SHOWN WITH CABLE ADAPTER VARIATIONS IN PHANTOM LINES FOR VISUAL AND DIMENSIONAL PURPOSES ONLY

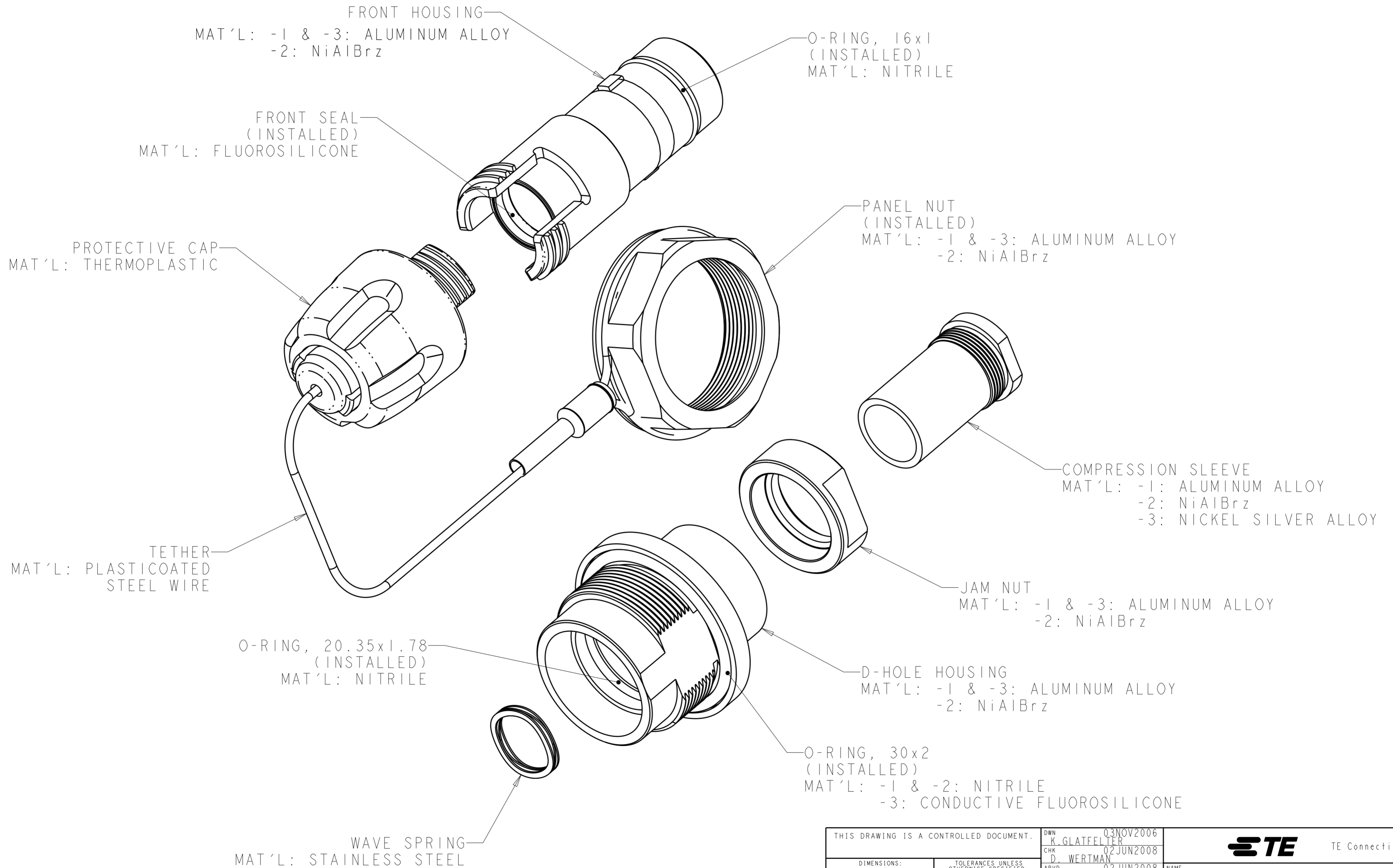
CONDUCTIVE BLACK ZINC NICKEL	ALUMINUM	1918939-3
NONE	NICKEL ALUMINUM BRONZE	1918939-2
NON-CONDUCTIVE HARD ANODIZE	ALUMINUM	1918939-1
HOUSING PLATING	HOUSING ALLOY	PART NUMBER

THIS DRAWING IS A CONTROLLED DOCUMENT.		DWN K. GLATFELTER 03NOV2006	STE TE Connectivity	
		CHK D. WERTMAN 02JUN2008		
		APVD D. WERTMAN 02JUN2008	NAME CONNECTOR SHELL KIT, STD D-HOLE BULKHEAD, PRO BEAM JR.	
DIMENSIONS: mm		PRODUCT SPEC		SIZE
TOLERANCES UNLESS OTHERWISE SPECIFIED:		APPLICATION SPEC		CAGE CODE
0 PLC \pm		WEIGHT		DRAWING NO
1 PLC \pm		CUSTOMER DRAWING		RESTRICTED TO
2 PLC \pm		SCALE 1:1		SHEET 1 OF 2
3 PLC \pm				REV B
4 PLC \pm				
ANGLES \pm				
FINISH				

THIS DRAWING IS UNPUBLISHED. RELEASED FOR PUBLICATION 20
 © COPYRIGHT 20 BY - ALL RIGHTS RESERVED.

REVISIONS				
P	LTR	DESCRIPTION	DATE	APVD
-		SEE SHEET 1	-	-

1. SHIPPED LOOSE PIECE AS SHOWN.



THIS DRAWING IS A CONTROLLED DOCUMENT.		DWN K. GLATFELTER 03NOV2006	TE Connectivity	
		CHK D. WERTMAN 02JUN2008		
		APVD D. WERTMAN 02JUN2008	NAME CONNECTOR SHELL KIT, STD D-HOLE BULKHEAD, PRO BEAM JR.	
DIMENSIONS: mm		PRODUCT SPEC -		SIZE A200779
TOLERANCES UNLESS OTHERWISE SPECIFIED: 0 PLC ± 1 PLC ± 2 PLC ± 3 PLC ± 4 PLC ± ANGLES ± FINISH -		APPLICATION SPEC -		CAGE CODE C-1918939
MATERIAL AS LISTED		WEIGHT -		RESTRICTED TO -
		CUSTOMER DRAWING		SCALE 1:1 SHEET 2 OF 2 REV B