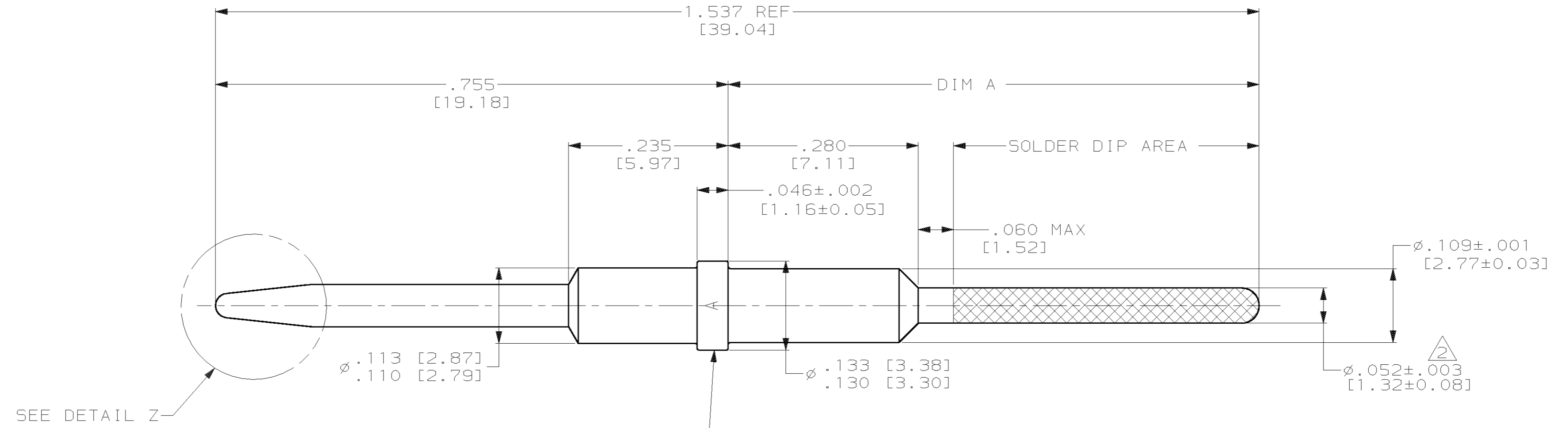


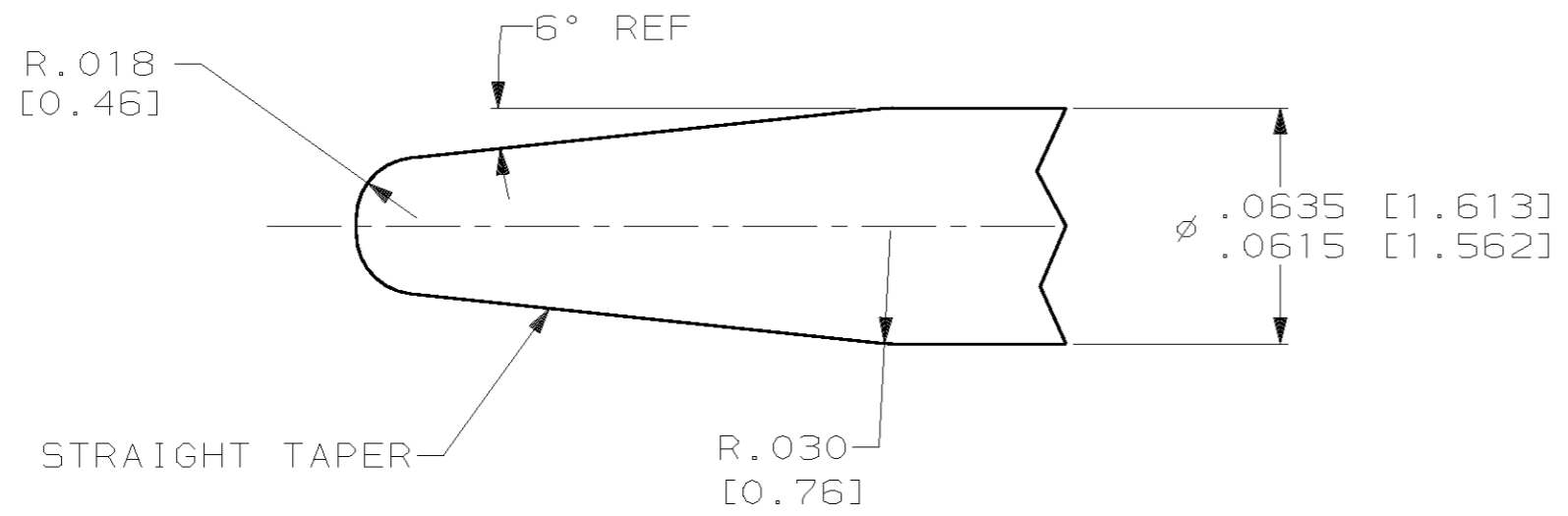
THIS DRAWING IS UNPUBLISHED. RELEASED FOR PUBLICATION
 BY AMP INCORPORATED, ALL RIGHTS RESERVED.

LOC		DIST		REVISIONS			
P	LTR	DESCRIPTION	DATE	DWN	APVD		
B		REV PER 063D-0517-03	9-11-03	JMK	SG		

- 1. FOR USE IN ARINC 600 REAR RELEASE INSERT.
- 2. DIMENSIONS APPLY BEFORE SOLDER DIP.



MAT'L: LEADED COPPER PER ASTM-B-301
 FINISH: PLATED GOLD .000050 [0.0012] MIN THK
 PER ASTM-B-488 OVER NICKEL .000050 [0.0012]
 MIN THK. PER QQ-N-290



.522 [13.26]	NO	1-1663128-0
.652 [16.56]	NO	1663128-8
.635 [16.13]	YES	1663128-6
.635 [16.13]	NO	1663128-5
.782 [19.86]	YES	1663128-3
.782 [19.86]	NO	1663128-2
DIM A	SOLDER DIP	PART NUMBER

THIS DRAWING IS A CONTROLLED DOCUMENT.		DWN C.C. THOMAS 11-19-02	 TYCO Electronics Harrisburg, PA 17105-3608	
DIMENSIONS: INCHES [mm]	TOLENCES UNLESS OTHERWISE SPECIFIED:	CHK S. GLATFELTER 11-19-02	 AMP	
	0 PLC ±-	APVD S. GLATFELTER 11-19-02	NAME PIN CONTACT, POSTED, SIZE 16, REAR RELEASE, ARINC 600	
	1 PLC ±-	PRODUCT SPEC	-	
	2 PLC ±-	APPLICATION SPEC	-	
	3 PLC ±.005 [0.13]	WEIGHT	-	
	4 PLC ±-	CUSTOMER DRAWING	-	
	ANGLES ±-	SCALE	8:1	
MATERIAL SEE CALLOUT	FINISH SEE CALLOUT	SIZE	CAGE CODE	DRAWING NO
		A2	00779	1663128
		SHEET	1	1
		REV	B	