

4

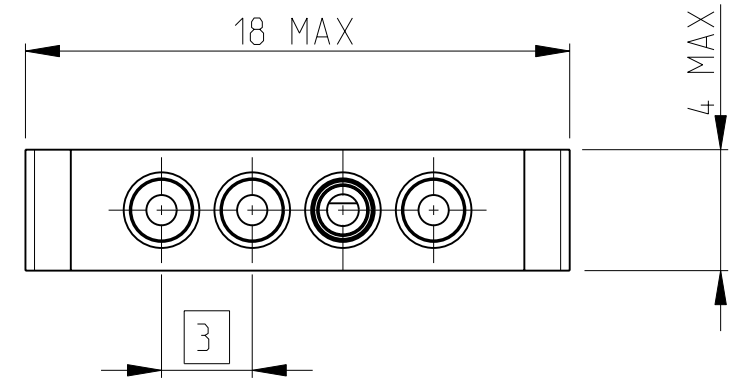
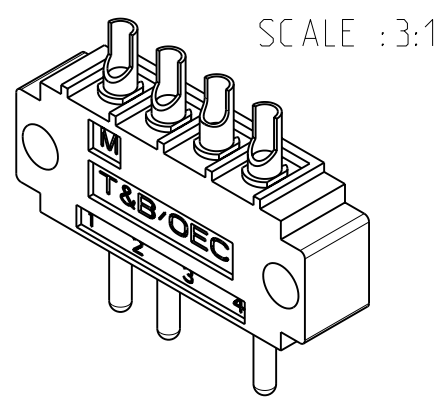
3

2

1

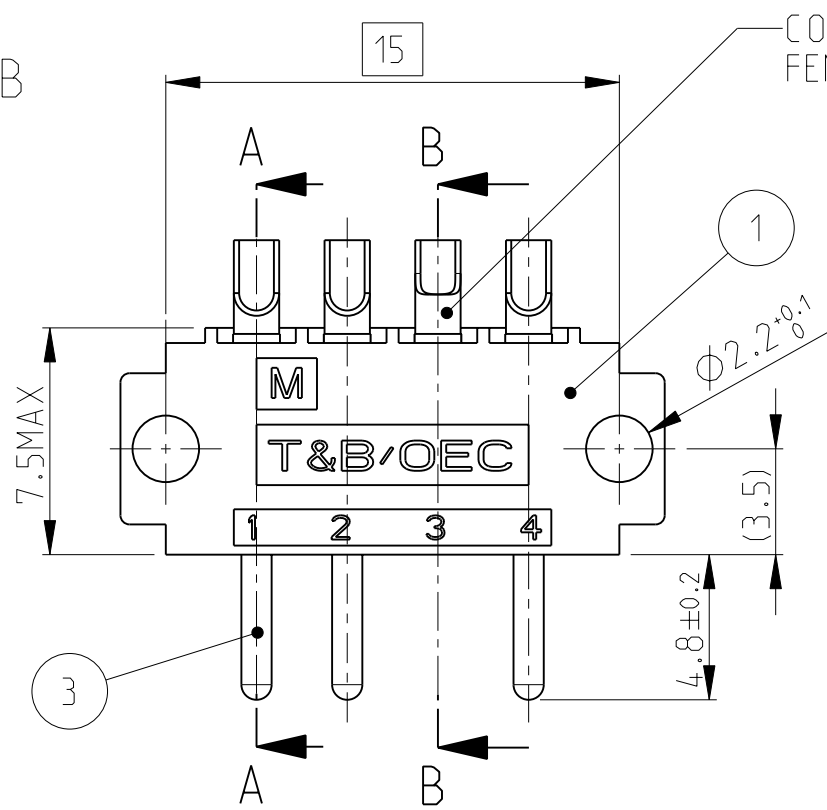
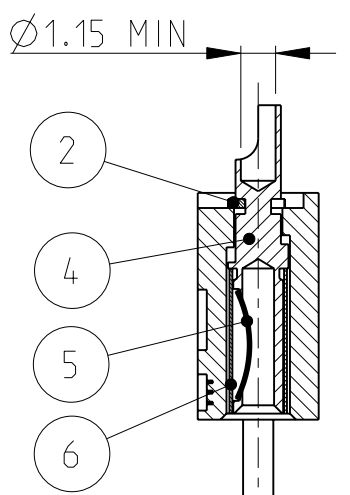
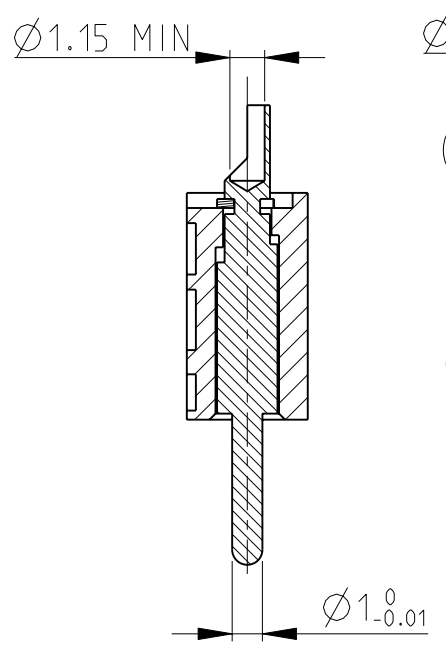
THIS DRAWING IS UNPUBLISHED. RELEASED FOR PUBLICATION 20
 © COPYRIGHT 20 BY TYCO ELECTRONICS CORPORATION. ALL INTERNATIONAL RIGHTS RESERVED.

LOC	DIST	REVISIONS			
P	LTR	DESCRIPTION	DATE	DWN	APVD
F	00	A	PRIMARY RELEASE	8JUL2010	JT YP
		B	CLARIFICATION	09JUL2010	JT YP
		C	ADD DIM 3.5	05APR2012	JT YP



SECTION A-A

SECTION B-B



CONTACT FEMELLE POUR DETROMPAGE
 FEMALE CONTACT FOR POLARIZATION

P/N 1437349-7

FINITION FINISH	MATIERE MATERIAL	DESIGNATION DESCRIPTION	REP ITEM
OR/NICKEL GOLD/NICKEL	LAITON BRASS	TUBE	6
OR/NICKEL GOLD/NICKEL	CuBe2	RESSORT SPRING	5
OR/NICKEL GOLD/NICKEL	LAITON BRASS	CONTACT FEMELLE FEMALE CONTACT	4
OR/NICKEL GOLD/NICKEL	LAITON BRASS	CONTACT MALE MALE CONTACT	3
OR/NICKEL GOLD/NICKEL	BRONZE	CLIP	2
-	PBT	ISOLANT S4 MALE S4 MALE HOUSING	1

THIS DRAWING IS A CONTROLLED DOCUMENT FOR TYCO ELECTRONICS CORPORATION IT IS SUBJECT TO CHANGE AND THE CONTROLLING ENGINEERING ORGANIZATION SHOULD BE CONTACTED FOR THE LATEST REVISION.

DWN	06 JUL 2010	Tyco Electronics France SAS 95300 Pontoise, France	NAME	CONNECTOR CRS-SC4M-3F	
CHK	J. THUEZ 08. JUL 2010			-	
APVD	Y. PETRONIN 08. JUL 2010			-	
PRODUCT SPEC	-			-	
APPLICATION SPEC	-	SIZE	CAGE CODE	DRAWING NO	RESTRICTED TO
WEIGHT	-	A3	00779	1437349-7	-
CUSTOMER DRAWING		SCALE	SHEET	OF	REV
		4:1	1	1	C

DIMENSIONS:	TOLERANCES UNLESS OTHERWISE SPECIFIED:
mm	
0 PLC	±
1 PLC	±0.5
2 PLC	±0.13
3 PLC	±0.013
4 PLC	±0.0001
ANGLES	±
MATERIAL TABLE	FINISH TABLE