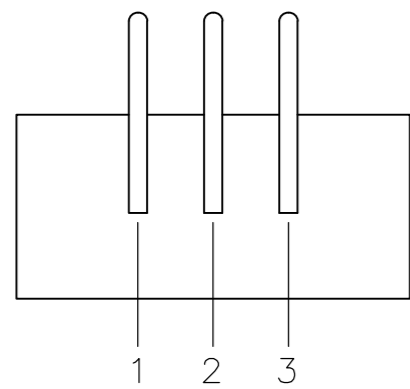
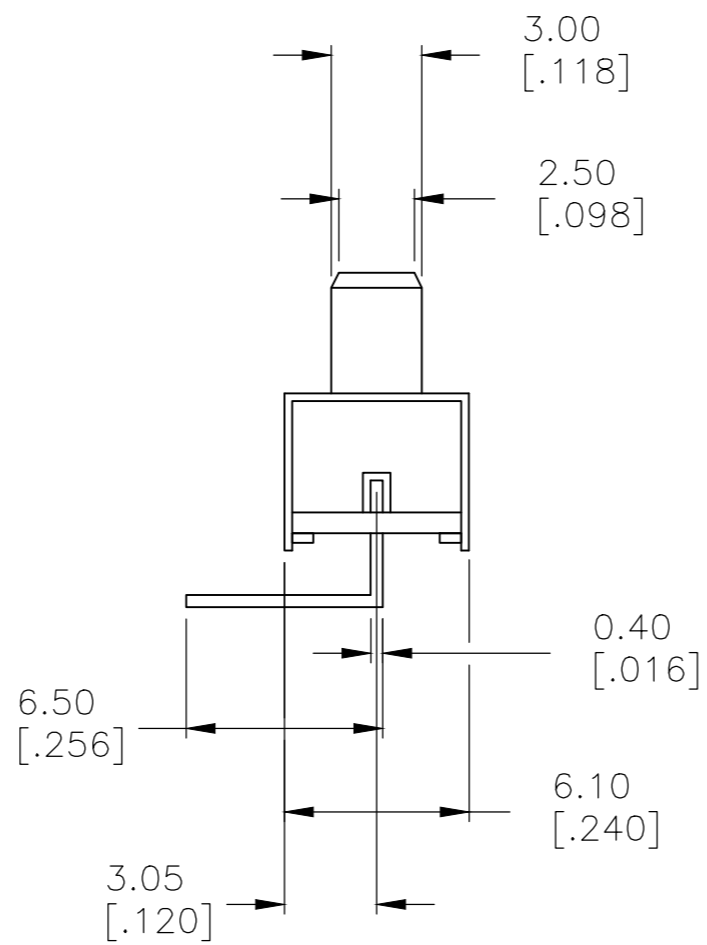
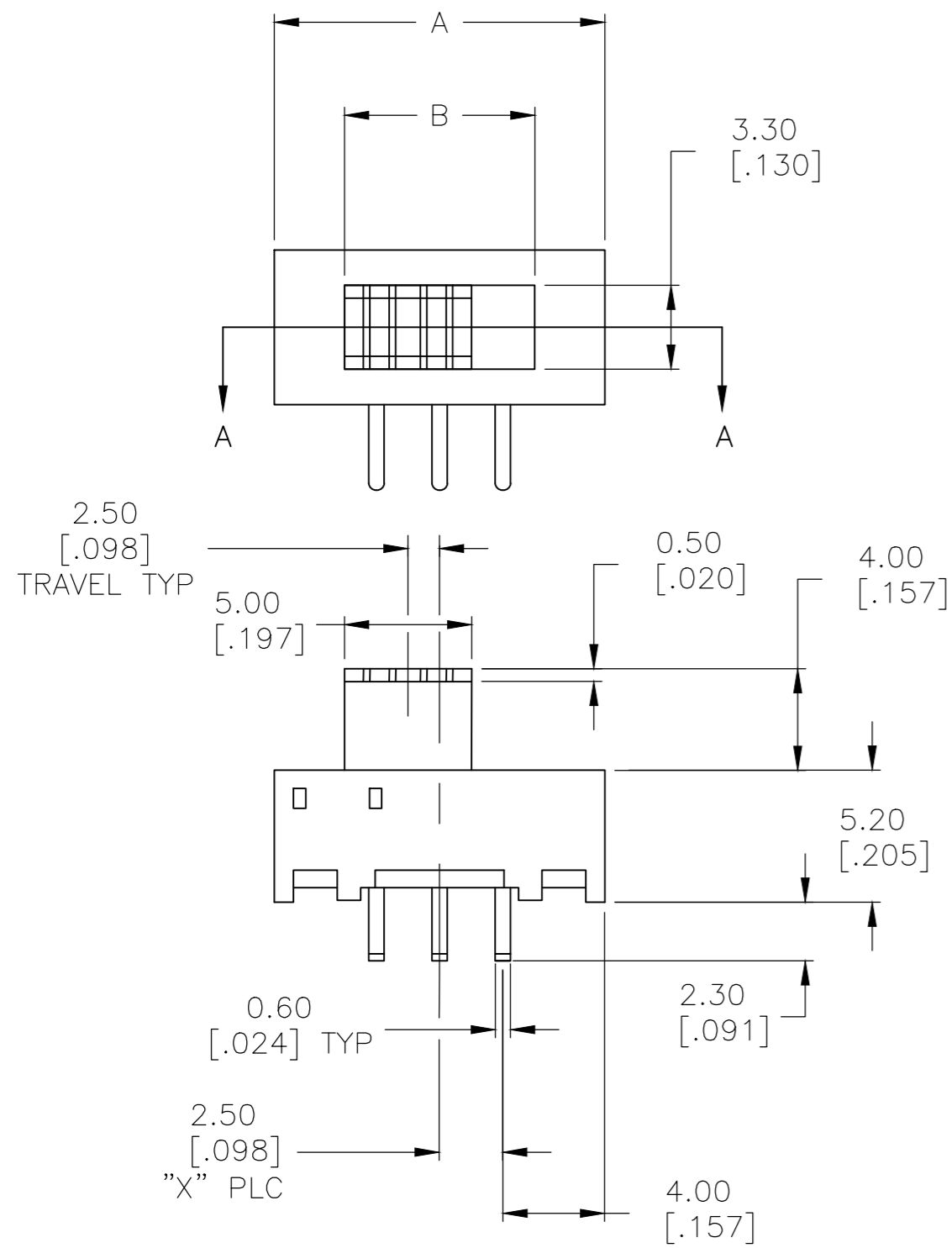
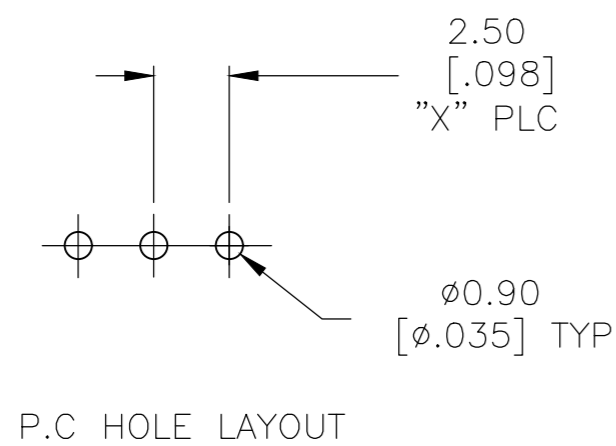


THIS DRAWING IS UNPUBLISHED. RELEASED FOR PUBLICATION
 © COPYRIGHT - TE Connectivity ALL RIGHTS RESERVED.

REVISIONS					
P	LTR	DESCRIPTION	DATE	DWN	APVD
A3		REVISED PER ECR-18-010041	10JAN2020	SB	PO



1825160-1 AS SHOWN



SPECIFICATIONS:
 MAKE-BEFORE-BREAK

MATERIALS:

FRAME: STEEL, ZINC PLATE
 ACTUATOR: POM UL94HB, BLACK
 FIXED CONTACT/TERMINAL: COPPER ALLOY,
 SILVER OVER NICKEL PLATE
 MOVING CONTACT: COPPER ALLOY, SILVER CLAD
 COIL SPRING: TEMPERED STEEL WIRE
 BALL- TEMPERED CARBON STEEL
 TERMINAL BOARD: PHENOLIC, UL94HB
 TERMINAL SEAL: PHENOLIC RESIN

ELECTRICAL:

CONTACT RATING: 250 MILLIAMPS@125V AC
 CONTACT RESISTANCE: 30 MILLIOHMS MAX (INITIAL),
 60 MILLIOHMS AFTER TEST
 INSULATION RESISTANCE: 500 MEGOHMS MIN AT 500V DC
 DIELECTRIC STRENGTH: 500 VAC RMS AT SEA LEVEL
 LIFE EXPECTANCY: 10,000 CYCLES MIN. NO LOAD

MECHANICAL:

ACTUATION FORCE: 250 +150/-100 GRAMS
 TRAVEL: 2.49 (.098)

ENVIRONMENTAL:

OPERATING TEMPERATURE: -10 TO +60 DEGREES C
 STORAGE TEMPERATURE: -10 TO +60 DEGREES C
 RESISTANCE TO SOLDER HEAT: 260 C FOR 10 SEC PER 109-202,
 COND. B
 SOLDERABILITY: PER EIA-364-56A, PROCEDURE 3, COND. B

NOTES:

1. ALL MATERIALS AND FINISHES SHALL COMPLY WITH EU DIRECTIVE 2002/95/EC OF 27JAN2003 (ROHS)
2. SEE SHEET 2 FOR FUNCTION DIAGRAM
3. ALL PERFORMANCE SPECIFICATIONS WERE TESTED IN ACCORDANCE WITH JIS-C-5441 UNLESS OTHERWISE STATED.

OBSOLETE	6	17.50[.689]	23.01[.906]	SP6T	STS161RA04	1825160-5
	5	15.01[.591]	20.50[.807]	SP5T	STS151RA04	1825160-4
	4	12.50[.492]	18.01[.709]	SP4T	STS141RA04	1825160-3
OBSOLETE	3	10.01[.394]	15.50[.610]	SP3T	STS131RA04	1825160-2
OBSOLETE	2	7.49[.295]	13.00[.512]	SPDT	STS121RA04	1825160-1
	X PLC	DIM B	DIM A	FUNCTION	T&B PART NUMBER	TE PART NUMBER

THIS DRAWING IS A CONTROLLED DOCUMENT.		DWN B.S.VISWESWARA 16MAR05	TE Connectivity															
DIMENSIONS: mm [INCHES]		CHK M.S.SARVER																
TOLERANCES UNLESS OTHERWISE SPECIFIED:		APVD -	NAME SLIDE SWITCH, STS121RA TO STS161RA SERIES															
<table border="1"> <tr><td>0 PLC</td><td>± -</td></tr> <tr><td>1 PLC</td><td>± -</td></tr> <tr><td>2 PLC</td><td>± 0.20 [.008]</td></tr> <tr><td>3 PLC</td><td>± -</td></tr> <tr><td>4 PLC</td><td>± -</td></tr> <tr><td>ANGLES</td><td>± -</td></tr> </table>		0 PLC	± -	1 PLC	± -	2 PLC	± 0.20 [.008]	3 PLC	± -	4 PLC	± -	ANGLES	± -	PRODUCT SPEC -	SIZE A2			
0 PLC	± -																	
1 PLC	± -																	
2 PLC	± 0.20 [.008]																	
3 PLC	± -																	
4 PLC	± -																	
ANGLES	± -																	
MATERIAL -		FINISH -	APPLICATION SPEC -	WEIGHT -	CAGE CODE 00779	DRAWING NO 1825160												
CUSTOMER DRAWING			SCALE 4:1	SHEET 1 OF 2	REV A3	RESTRICTED TO -												

THIS DRAWING IS UNPUBLISHED. RELEASED FOR PUBLICATION
 © COPYRIGHT - TE Connectivity ALL RIGHTS RESERVED.

REVISIONS				
P	LTR	DESCRIPTION	DATE	APVD
-	-	SEE SHEET 1	-	-

PART NUMBER

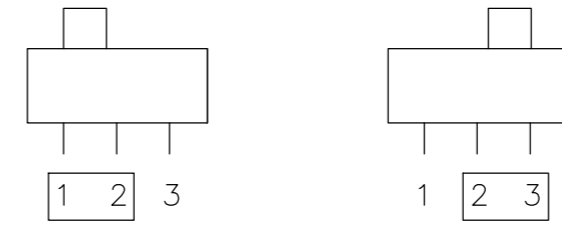
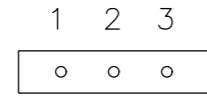
FUNCTION

BOTTOM VIEW

FUNCTION DIAGRAM

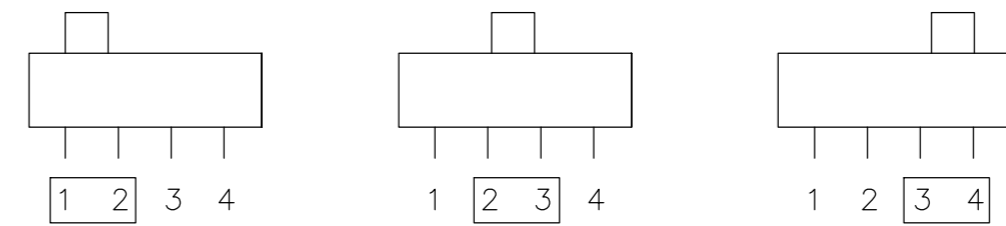
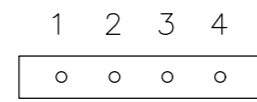
1825160-1

SPDT



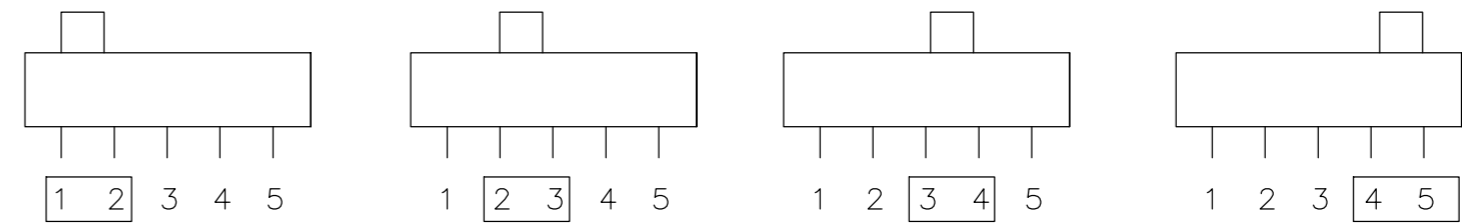
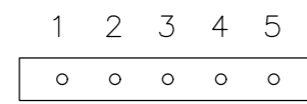
1825160-2

SP3T



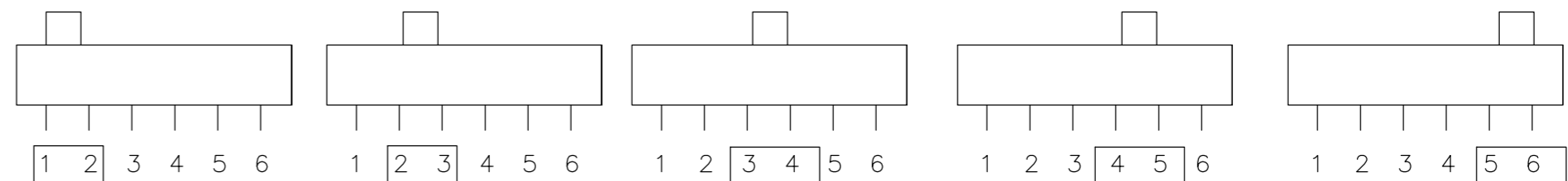
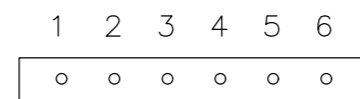
1825160-3

SP4T



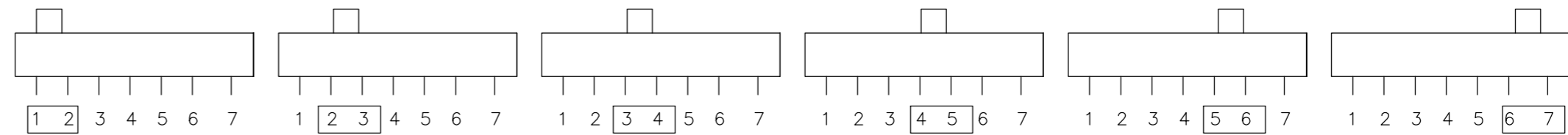
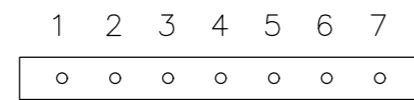
1825160-4

SP5T



1825160-5

SP6T



THIS DRAWING IS A CONTROLLED DOCUMENT.		DWN B.S.VISWESWARA 16MAR05		
DIMENSIONS: mm [INCHES]		CHK M.S.SARVER		
		APVD -	SLIDE SWITCH, STS121RA TO STS161RA SERIES	
TOLERANCES UNLESS OTHERWISE SPECIFIED:		PRODUCT SPEC -	SIZE A2	CAGE CODE 00779
0 PLC ± -		APPLICATION SPEC -	DRAWING NO C=1825160	RESTRICTED TO -
1 PLC ± -		WEIGHT	SCALE 4:1	SHEET 2 OF 2
2 PLC ± 0.20 [.008]		CUSTOMER DRAWING	REV A3	
3 PLC ± -				
4 PLC ± -				
ANGLES ± -				
FINISH				