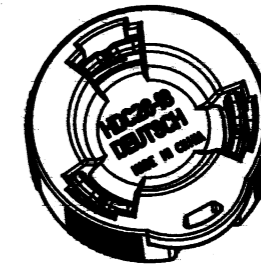
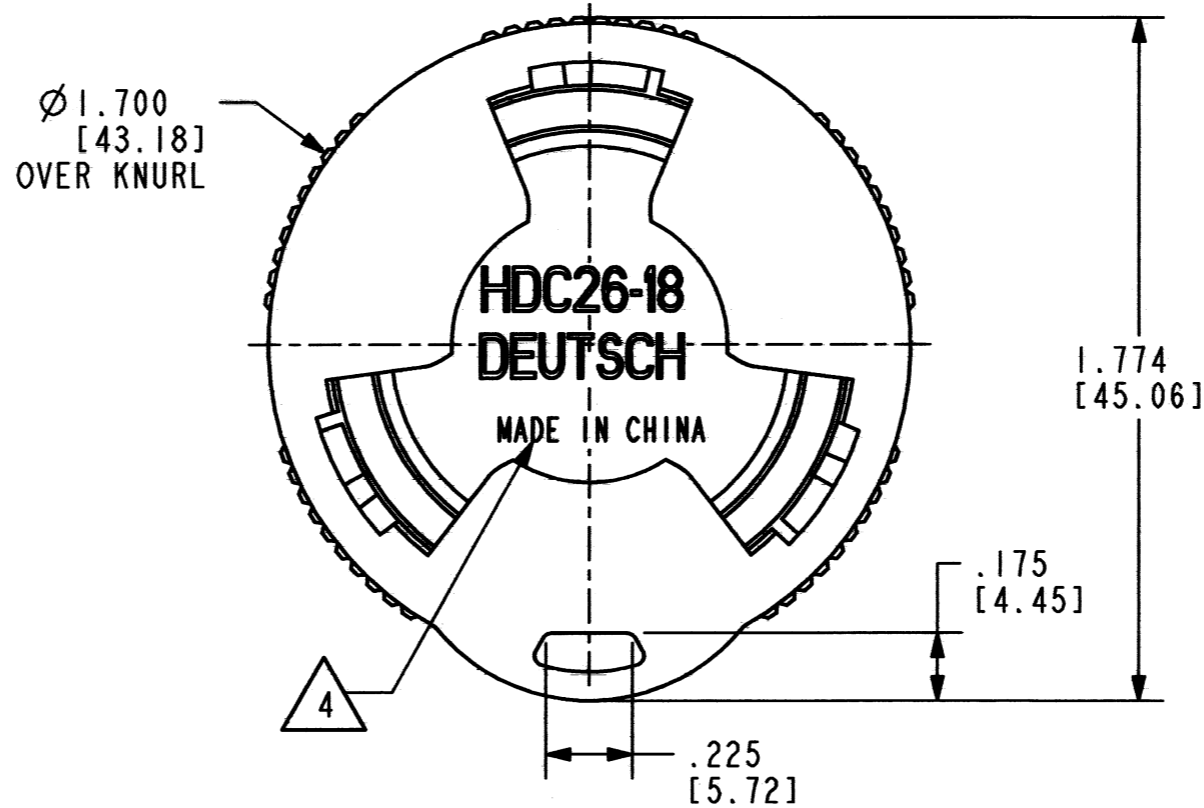
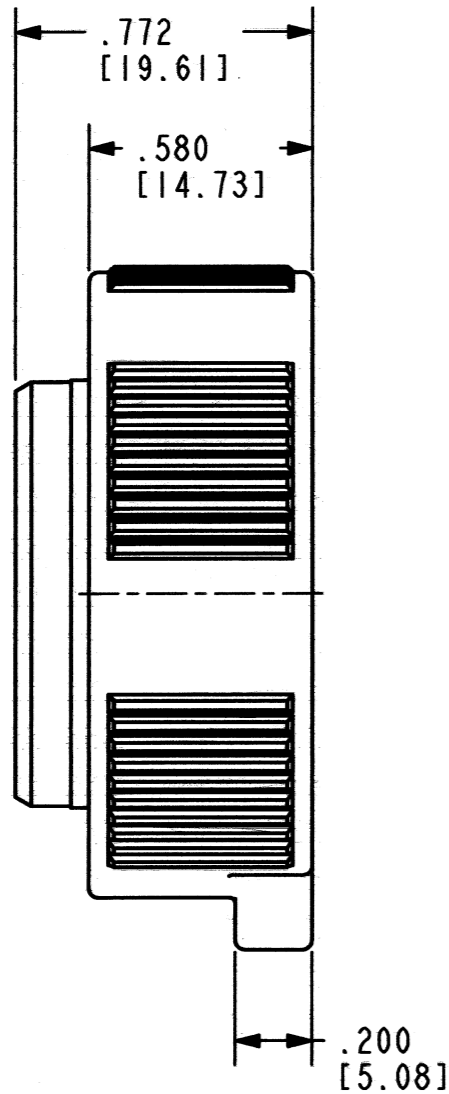


REV
A
HDC26-18

REVISIONS			
SYM	DESCRIPTION	DATE	APPROVED
NC	NEW RELEASE PER E.O. P21248	2-17-12	R.D.R.
A	REVISED PER E.O. P21505	11/14/12	DYM



3D VIEW

4 COUNTRY OF ORIGIN IF OTHER THAN USA
EXAMPLE: MADE IN CHINA

3. MATERIAL: PLASTIC; COLOR: BLACK

2. DIMENSION TOLERANCE: ±.025 [.63]

NOTES: 1. ALL DIMENSIONS ARE IN INCHES [mm]

SIGNATURE & DATE	
DR	I. GRANTCHAROVA 02/06/12
CHK	<i>[Signature]</i> 11/13/12
PE	<i>[Signature]</i> 11/13/12
APPD	D. Meyer 11/14/12
SCALE	NONE FWT

**PROTECTIVE CAP
FOR SIZE 18
RECEPTACLES
HD SERIES**

ENVELOPE

EP	MATL. CODE
3850 INDUSTRIAL AVE. HEMET, CA 92545	
B	HDC26-18
DWG SIZE	CODE 11139 SHEET OF

