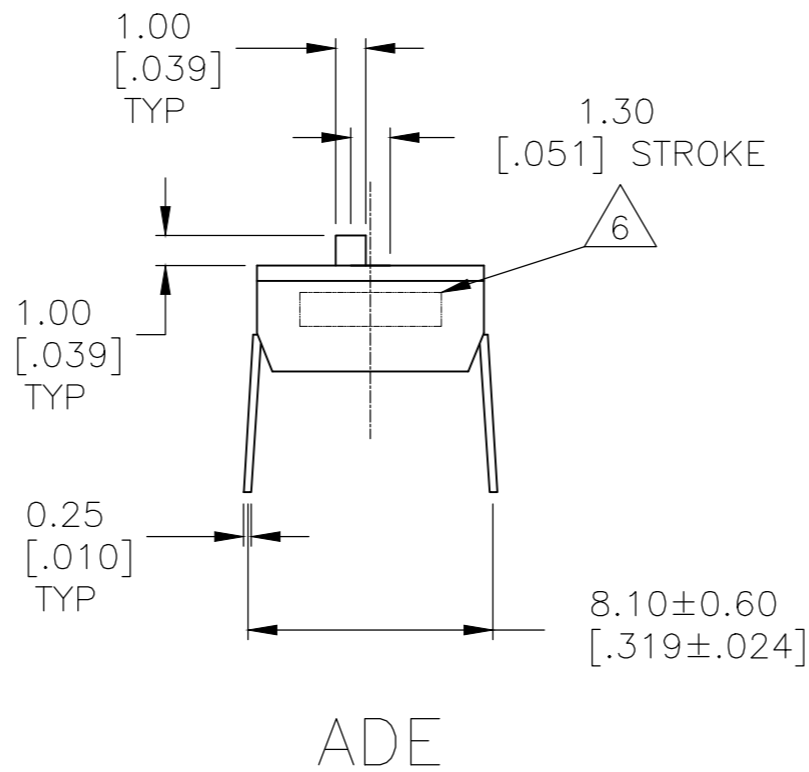
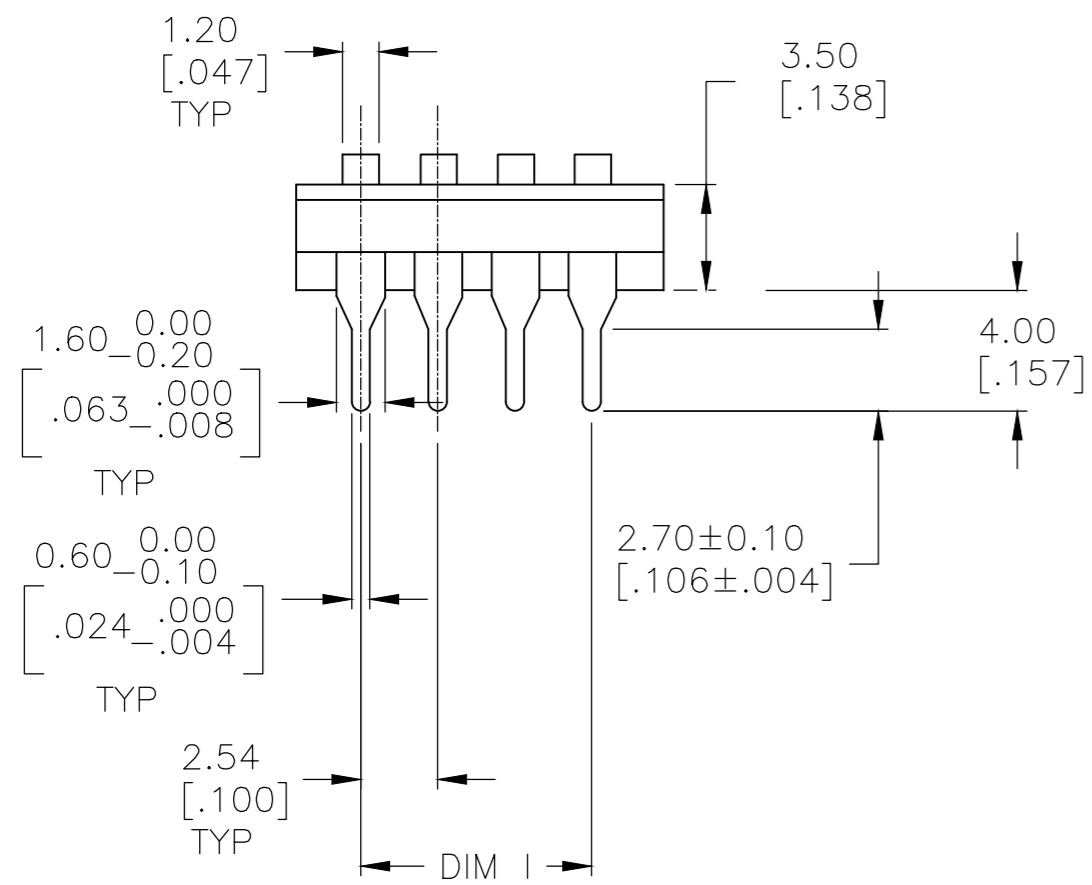
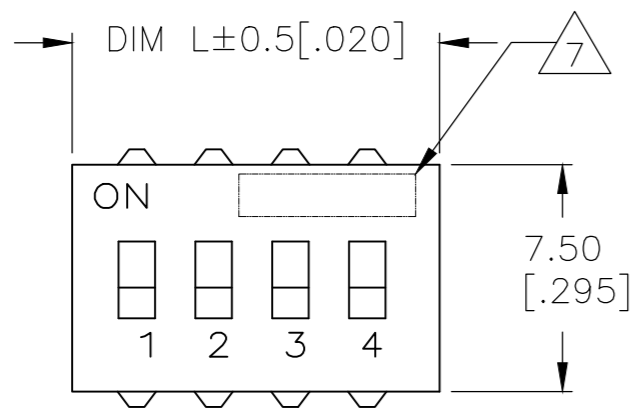


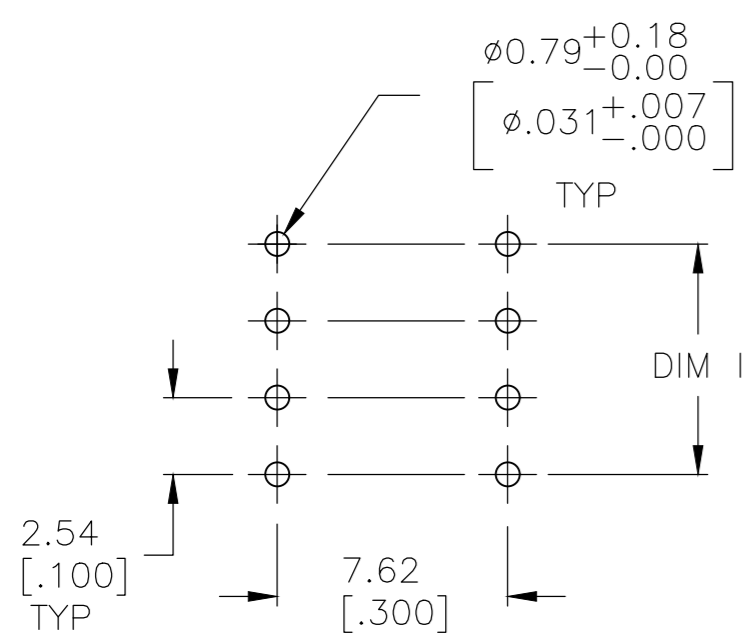
THIS DRAWING IS UNPUBLISHED. RELEASED FOR PUBLICATION  
 © COPYRIGHT - By - ALL RIGHTS RESERVED.

REVISIONS					
P	LTR	DESCRIPTION	DATE	DWN	APVD
B5		REVISED PER ECO-18-013690	24OCT2018	SR	PO



Specifications:  
 MATERIAL  
 BASE, PPS, UL94V-0, BLACK  
 COVER, PPS, UL94V-0, BLACK  
 ACTUATOR, PBT, UL94V-0, WHITE  
 FIXED CONTACT/TERMINAL, CU ALLOY-GOLD FLASH OVER NICKEL  
 MOVING CONTACT, CU ALLOY, PLATE-GOLD FLASH/NICKEL  
 ELECTRICAL  
 MAX CONTACT RATING SWITCHING, 100MILLIAMP @ 24 VDC  
 MIN CONTACT RATING SWITCHING, .1MICROAMP @ 1 MILLIVOLT  
 MAX CONTACT NON-SWITCHING, 1AMP @ 5 VDC  
 INITIAL CONTACT RESISTANCE, 50 MILLIOHMS MAX.  
 CONTACT RESISTANCE (AFTER ENVIRONMENTAL TEST), 100 MILLIOHMS  
 CONTACT RESISTANCE (AFTER GAS TEST), 300 MILLIOHMS  
 INSULATION RESISTANCE, 1,000 MEGOHMS MIN. @ 100 VDC  
 DIELECTRIC STRENGTH, 500 VAC RMS @ SEA LEVEL  
 LIFE EXPECTANCY, 1,000 CYCLES  
 MECHANICAL  
 OPERATING FORCE, LESS THAN 800 GRAMS  
 CONTACT PRESSURE, 280,000 PSI  
 ENVIRONMENTAL  
 OPERATING TEMPERATURE, -30 TO +85 DEGREES C  
 STORAGE TEMPERATURE, -45 TO +105 DEGREES C  
 CLEANING, AQUEOUS OR SOLVENT  
 SOLDER HEAT RESISTANCE, PER 109-202, COND B, SWITCH "OFF".  
 SOLDERABILITY PER JIS C 0050 & JIS 0053

- SWITCHES TO BE RECEIVED IN THE "OFF" POSITION AND PACKAGED IN CLEAR TUBES TO ACCOMMODATE AUTO-INSERTION.
  - TOP SURFACE TO BE CLEARLY MARKED AS SHOWN
  - SWITCHES TO BE BLACK WITH WHITE ACTUATORS AND MARKINGS.
  - ALL MATERIALS AND FINISHES SHALL COMPLY WITH EU DIRECTIVE 2002/95/EC OF 27JAN2003 (ROHS)
- ⚠️ OBSOLETE PARTS: OBSOLETE CIS STREAMLINING PER D.RENAUD/D.SINISI



⚠️ LOT CODE MARKING  
 15 5 8 A1  
 SPACE INTERNAL CONTROL No. (2-digit)  
 YEAR OF PRODUCTION WITH 1-DIGIT FIGURE(4TH DIGIT OF CALENDAR YEAR)  
 (EXAMPLE: Y2018: 8; Y2019: 9)  
 MONTH OF PRODUCTION WITH 1-DIGIT FIGURE OR ALPHABET  
 (EXAMPLE: 1~9, X(10), Y(11), Z(12))  
 DATE OF PRODUCTION WITH 2-DIGIT FIGURES(01-31)

⚠️ MARK ALCO PLUS FIRST 5 DIGITS PER T&B P/N.2 AND 3 POSITION SUPPLIED WITHOUT ALCO

OBSELETE	T&B P/N	DIM L	Dim I	No. of Posn	Part Number
⚠️	ADE07A04	19.71[.776]	15.24[.600]	7	1825360-7
	ADE10A04	27.38[1.078]	22.86[.900]	10	1825360-6
	ADE08A04	22.25[.876]	17.78[.700]	8	1825360-5
	ADE06A04	17.17[.676]	12.70[.500]	6	1825360-4
	ADE04A04	12.09[.476]	7.62[.300]	4	1825360-3
	ADE03A04	9.55[.376]	5.08[.200]	3	1825360-2
	ADE02A04	7.01[.276]	2.54[.100]	2	1825360-1

THIS DRAWING IS A CONTROLLED DOCUMENT.		DWN M.BINNER 18JUL05	TE Connectivity Ltd.		
DIMENSIONS: mm [INCHES]		CHK M SARVER 15FEB05			
TOLERANCES UNLESS OTHERWISE SPECIFIED:		APVD M SARVER 15FEB05	NAME DIP SWITCH, ADE THRU HOLE		
0 PLC ± - 1 PLC ± - 2 PLC ± 0.30[.012] 3 PLC ± - 4 PLC ± - ANGLES ± -		PRODUCT SPEC APPLICATION SPEC	SIZE A2	CAGE CODE 00779	DRAWING NO C=1825360
MATERIAL -		FINISH -	WEIGHT -	SCALE 4:1	SHEET 1 of 1
CUSTOMER DRAWING			RESTRICTED TO -	REV B5	