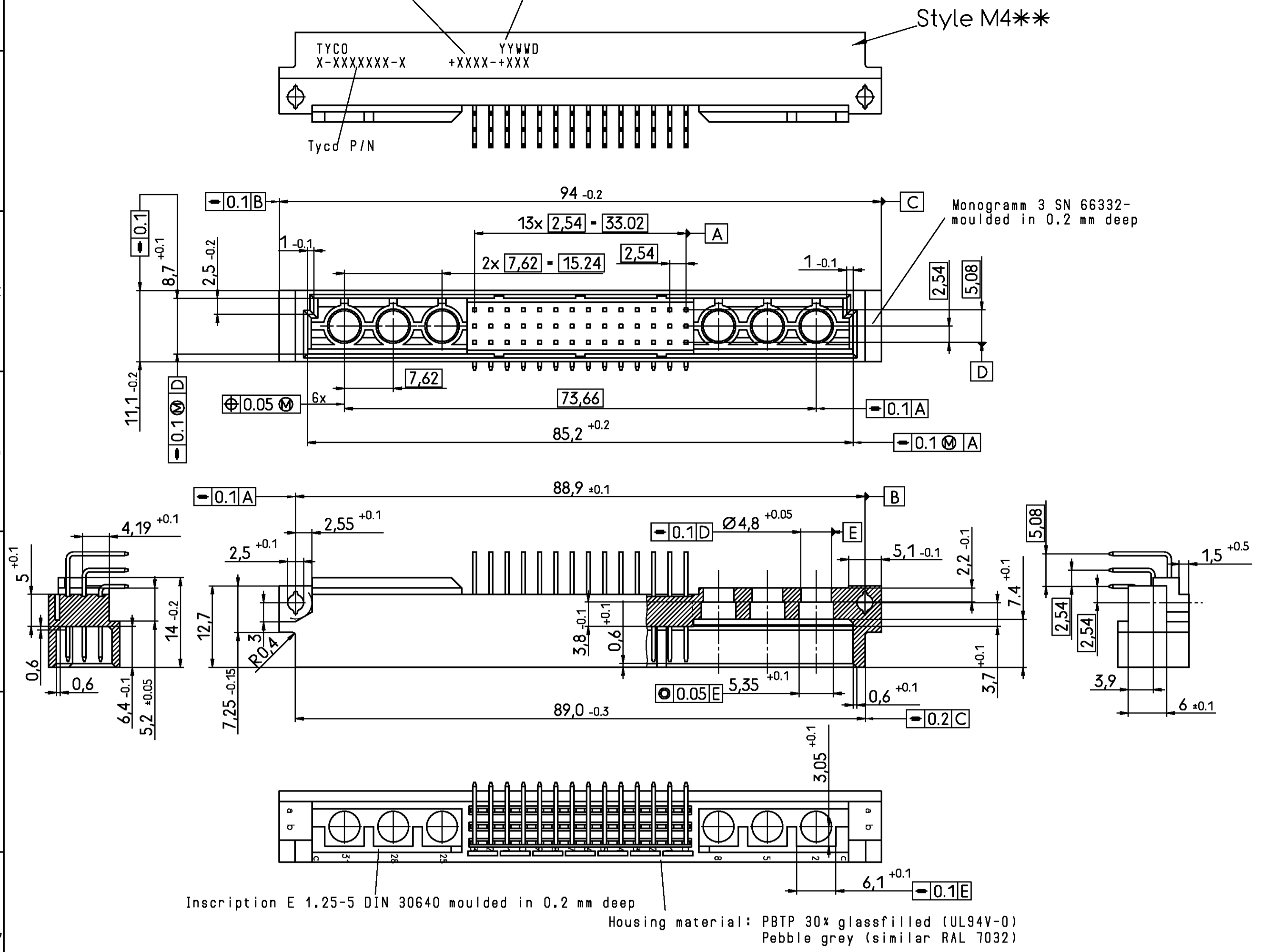
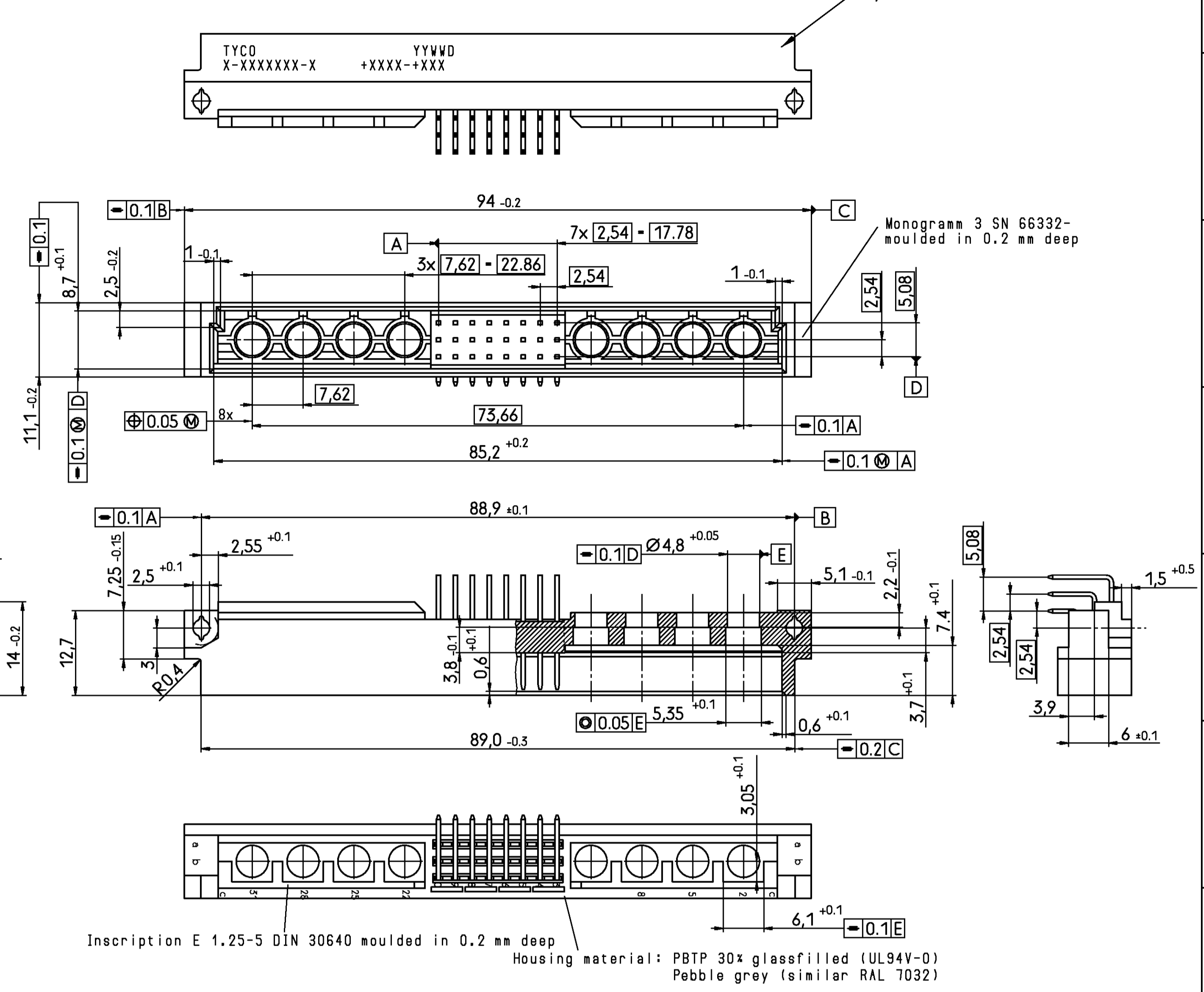


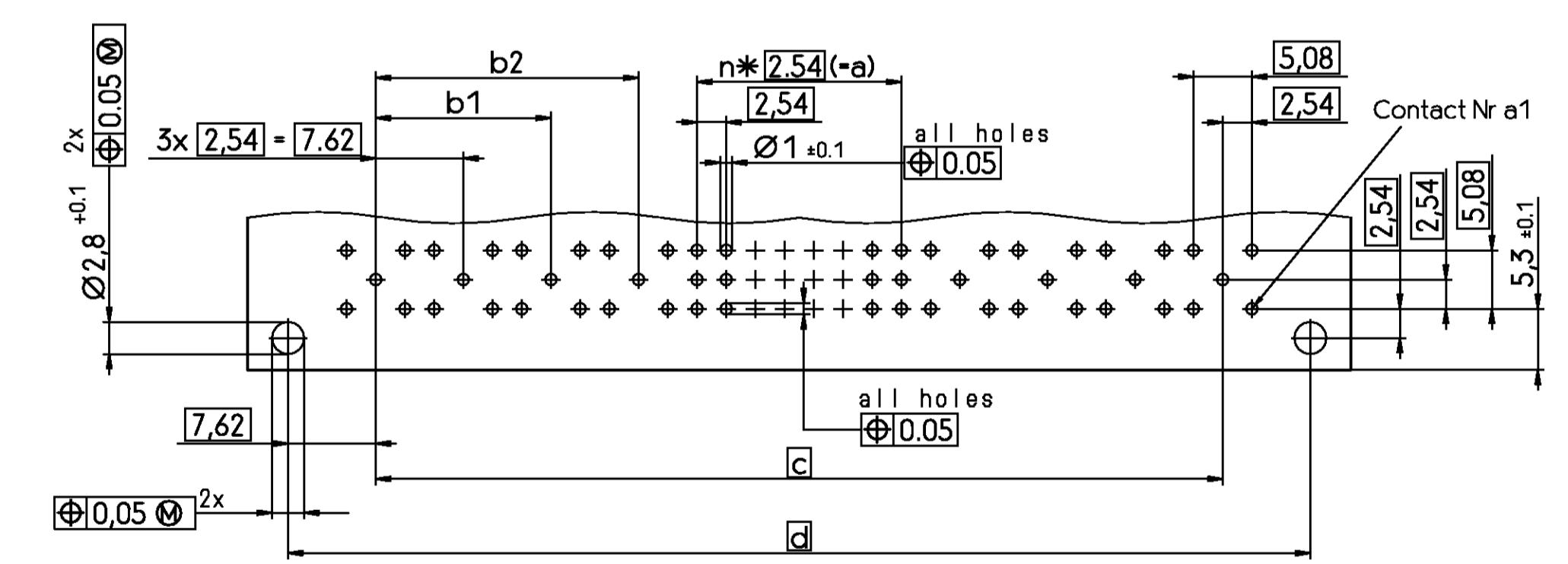
old P/N (without V42254-) Manufacturing date consisting of: 2 digits for the year (YY), 2 digits for the week (WW) and 1 digit for the day (D)



Style M2**



Mounting holes in PCB



Øpp6orm	Polzahl	n	a	b1	b2	c	d
M	42 + max. 6 SC	13	33.02	6 x 2.54 = 15.24	-	73.66	88.9
M	24 + max. 8 SC	24	17.78	6 x 2.54 = 15.24	9 x 2.54 = 22.86	73.66	88.9

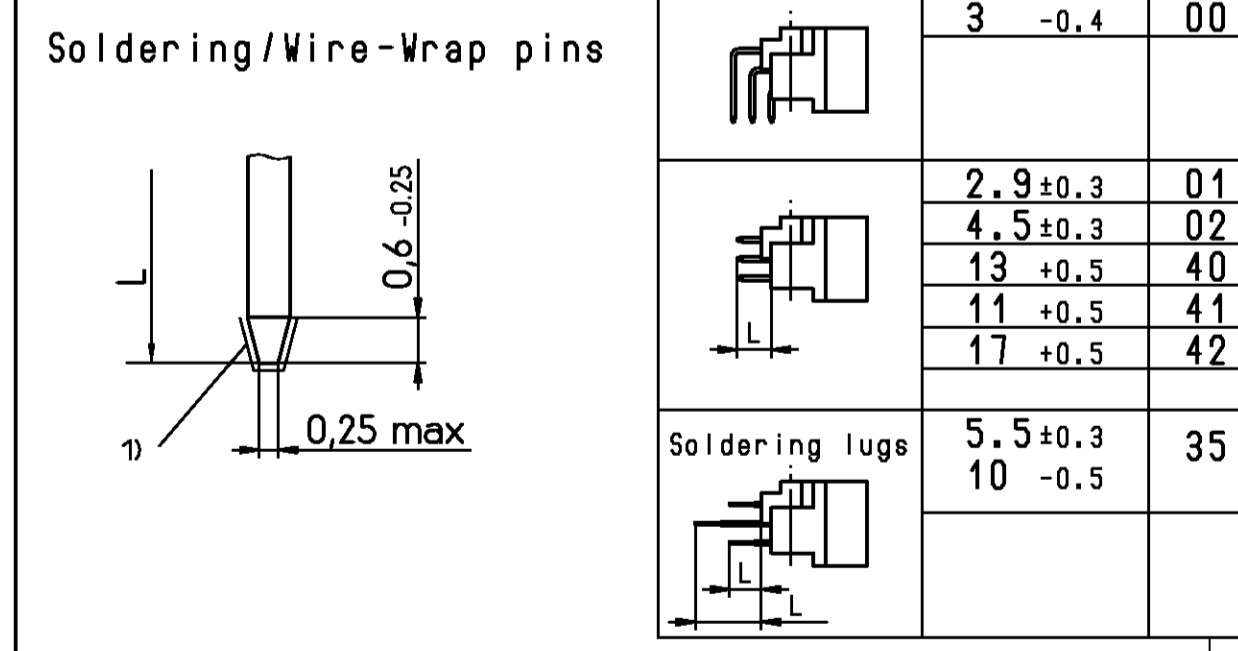
V 4 2 2 5 4 - B 1 * * * - M * * *

Code for performance level

Code for termination style

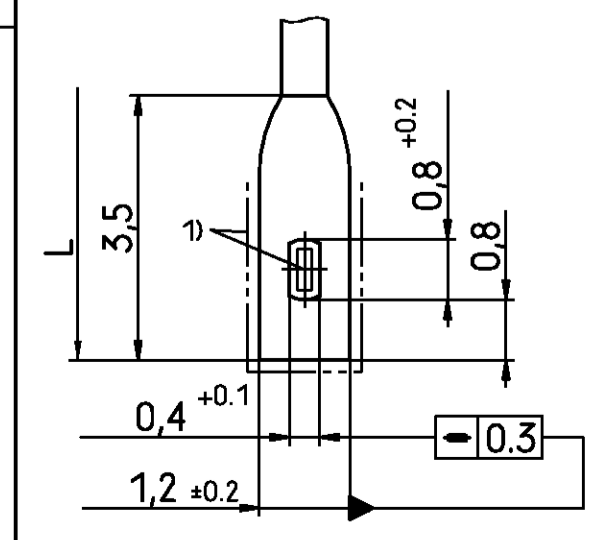
Style, nr of contacts and contact assignment : see page 2

Termination Style

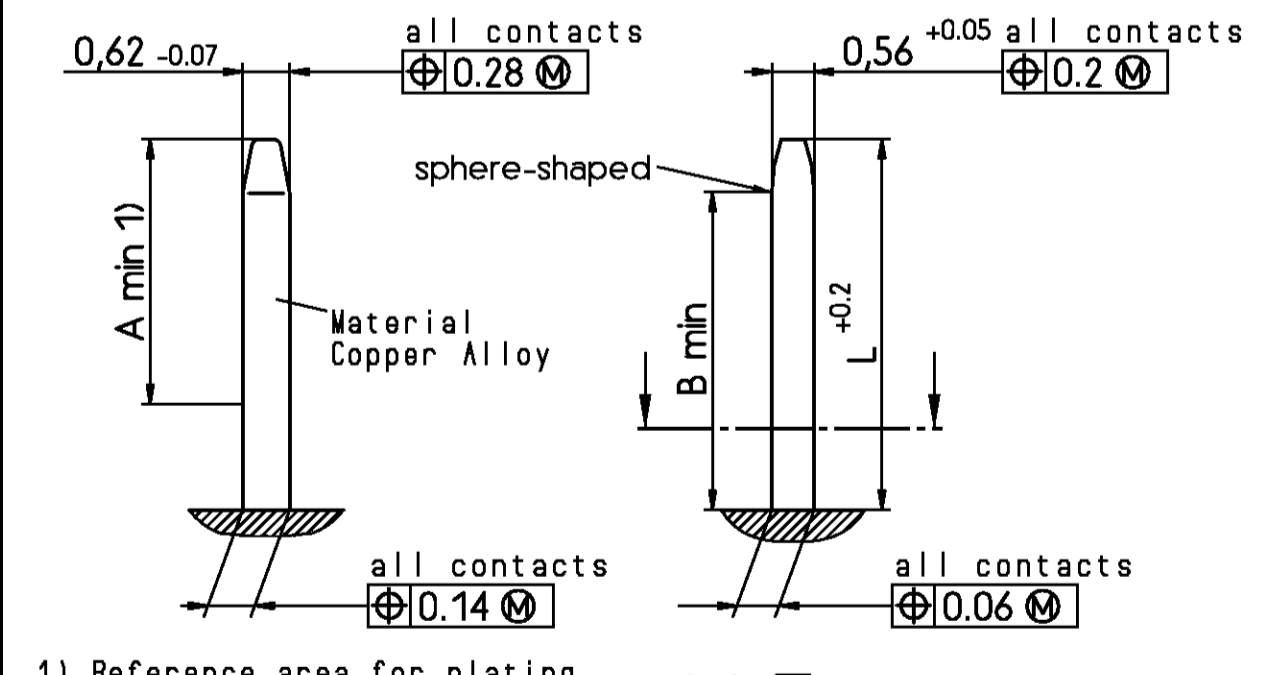


1) Cutting edges not plated
Terminations Sn plated

Soldering lug



Contact: Dimensions, plating, material, pre-mating

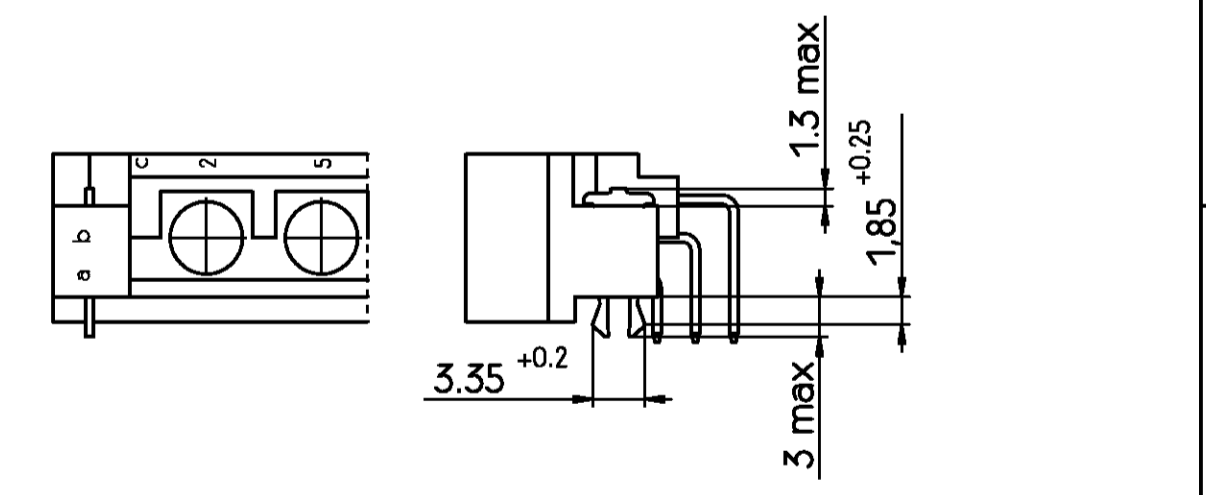


	L	A	B
normal contacts	4.8	3.5	4.2
pre-mating contacts	5.8	4.5	5.2

Performance level	Noble metals	Code
Class I	Pd + Au or Au	1
	Au	4
	Au	5
Class II	Pd + Au or Au	2
Class III	Pd + Au or Au	3

Nickel underlayer
Protection film: HF-grease

Male connector with board locks



Mounted in PC-boards of 1.5 to 1.8 mm
Fm < 60 N
Fr > 20 N
Fr > 200 N, wenn soldered-in

Fa = Mounting force (for 1 connector = 2 Clips)
Fr = Retention force (for 1 connector = 2 Clips)

Mounted in PC-boards over 1.8 mm
Fm < 60 N
Fr > 16 N

tyco TYCO ELECTRONICS CORPORATION
COSTKAMP - BELGIUM

Electronics

SCALE: DIMENSIONS IN MM

MATERIAL: **SOLETE**

DATE: 23.04.89
NAME: Verboesen
DEP.: PD.COM

PART NAME: Pin Assembly Eurocard, Type M
With 6 and 8 Special Contacts

REV: WCO 00/7012 20.07.00 IVS
05 WCO 9/1223 09.04.91 CUV

Customer Drawing Nr. C 2-1393644-4


THIS INFORMATION IS CONFIDENTIAL AND PROPRIETARY TO TYCO ELECTRONICS CORPORATION AND ITS WORLDWIDE SUBSIDIARIES AND AFFILIATES. IT MAY NOT BE DISCLOSED TO ANYONE, OTHER THAN TYCO ELECTRONICS CORPORATION, WITHOUT WRITTEN AUTHORIZATION FROM TYCO ELECTRONICS CORPORATION, HARRISBURG, PENNSYLVANIA USA.

THIS INFORMATION IS CONFIDENTIAL AND PROPRIETARY TO TYCO ELECTRONICS CORPORATION AND ITS WORLDWIDE
 SUBSIDIARIES AND AFFILIATES. IT MAY NOT BE DISCLOSED TO ANYONE, OTHER THAN TYCO ELECTRONICS PERSONNEL,
 WITHOUT WRITTEN AUTHORIZATION FROM TYCO ELECTRONICS CORPORATION, HARRISBURG PENNSYLVANIA USA

1	2	3	4	5	6	7	8	
A								A
B								B
C	Product description code	Tyco Part Number	Style & Number of Positions	Termination posts	Loaded Rows	Standard Pre-Mating 1 mm 1)	Performance Level Board Locks	C
	V42254-B1100-M240	2-1393644-4	M24+8	right-angle solder leads	every row , every pitch	No	1 No	
	V42254-B1100-M420	2-1393644-6	M42+6	right-angle solder leads	every row , every pitch	No	1 No	
	V42254-B1135-M420	4-1393644-2	M42+6	solder lugs	every row , every pitch	No	1 No	
	V42254-B1200-M240	0-1393645-3	M24+8	right-angle solder leads	every row , every pitch	No	2 No	
	V42254-B1200-M420	0-1393645-7	M42+6	right-angle solder leads	every row , every pitch	No	2 No	
	V42254-B1200-M420B	0-1393645-8	M42+6	right-angle solder leads	every row , every pitch	No	2 No	2)
	V42254-B1200-M423	0-1393645-9	M42+6	right-angle solder leads	row a+c , every pitch	No	2 No	
	V42254-B1299-M28B	3-1393646-9	M24+8	NONE	NONE	NO	N/A NO	3)
D								D
E								E
F								F

- 3) HOUSING ONLY - NO TERMINATION POSTS FITTED
- 2) According to BT 236 level 2.
- 1) First and last contact of each loaded row is a pre mating (make first / break last) contact.

Active part numbers.
 Contact Tyco Electronics for other configuration availability

tyco		TYCO ELECTRONICS CORPORATION				SCALE		WEIGHT	
Electronics		OOSTKAMP - BELGIUM		LOC GW		DIMENSIONS IN MM		MATERIAL	
				DATE 21.04.89		PART NAME			
				NAME Vanbesien		PIN Assembly Eurocard, Type M			
				DEP. PD COM		with 6 and 8 Special Contacts			
				TOLERANCE UNLESS SPECIFIED OTHERWISE		PART NO.		SHT. 2-	
C SEE SHEET 1						V42254-B1***-M4**-*-7626			
B2 SEE SHEET 1									
REV. CHANGE ORDER		DATE		APP.		Customer Drawing Nr. C 2-1393644-4		OF 2	