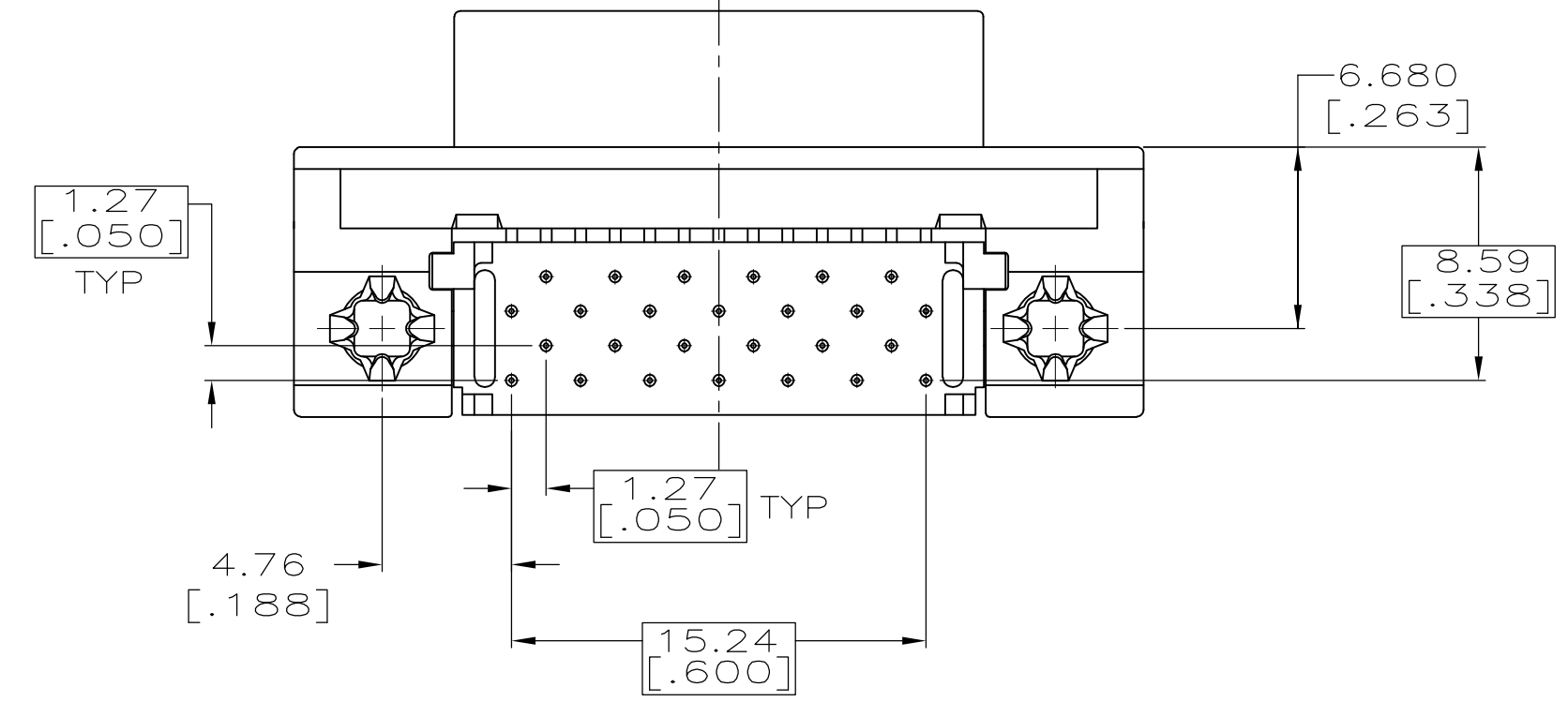
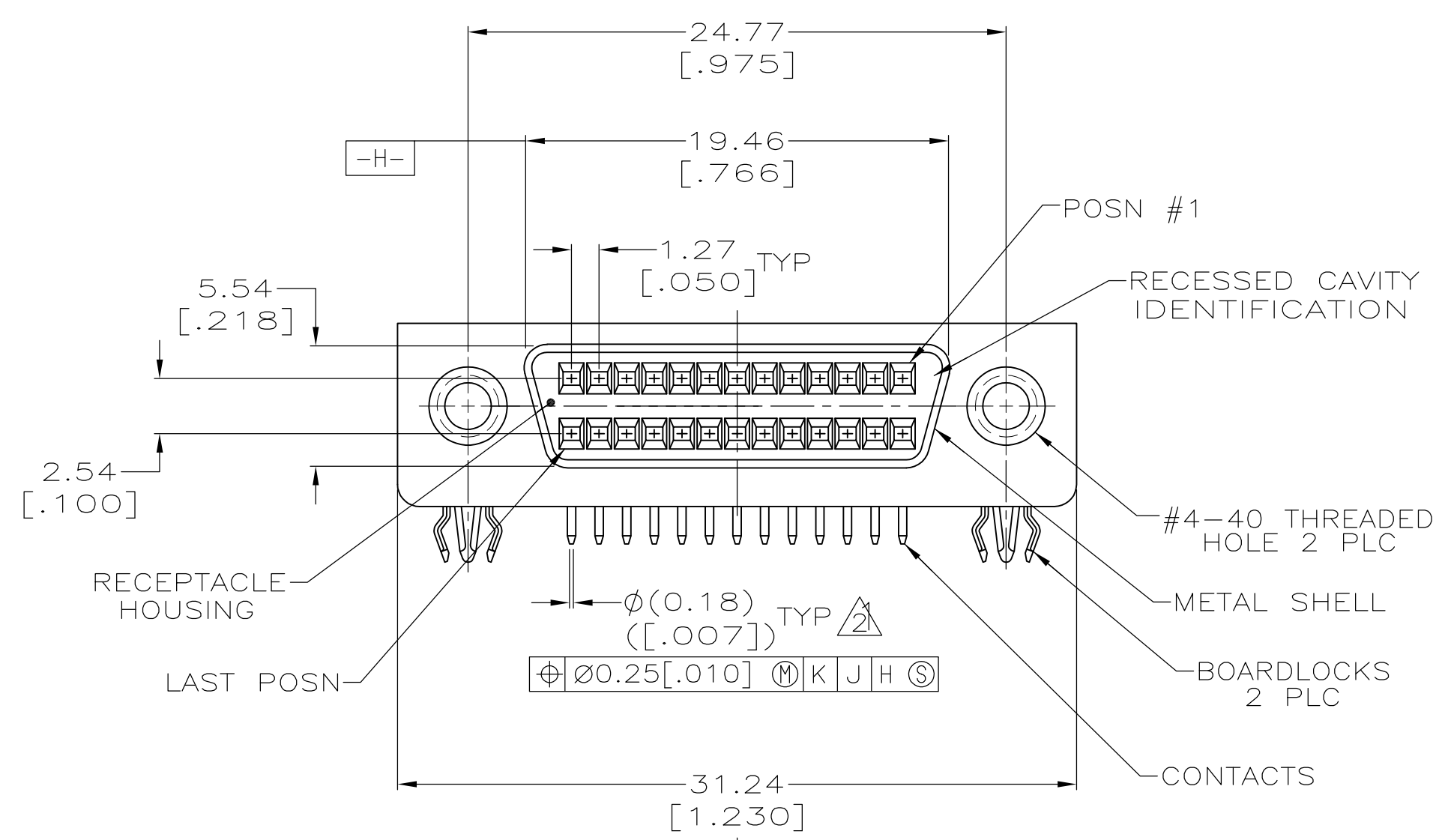
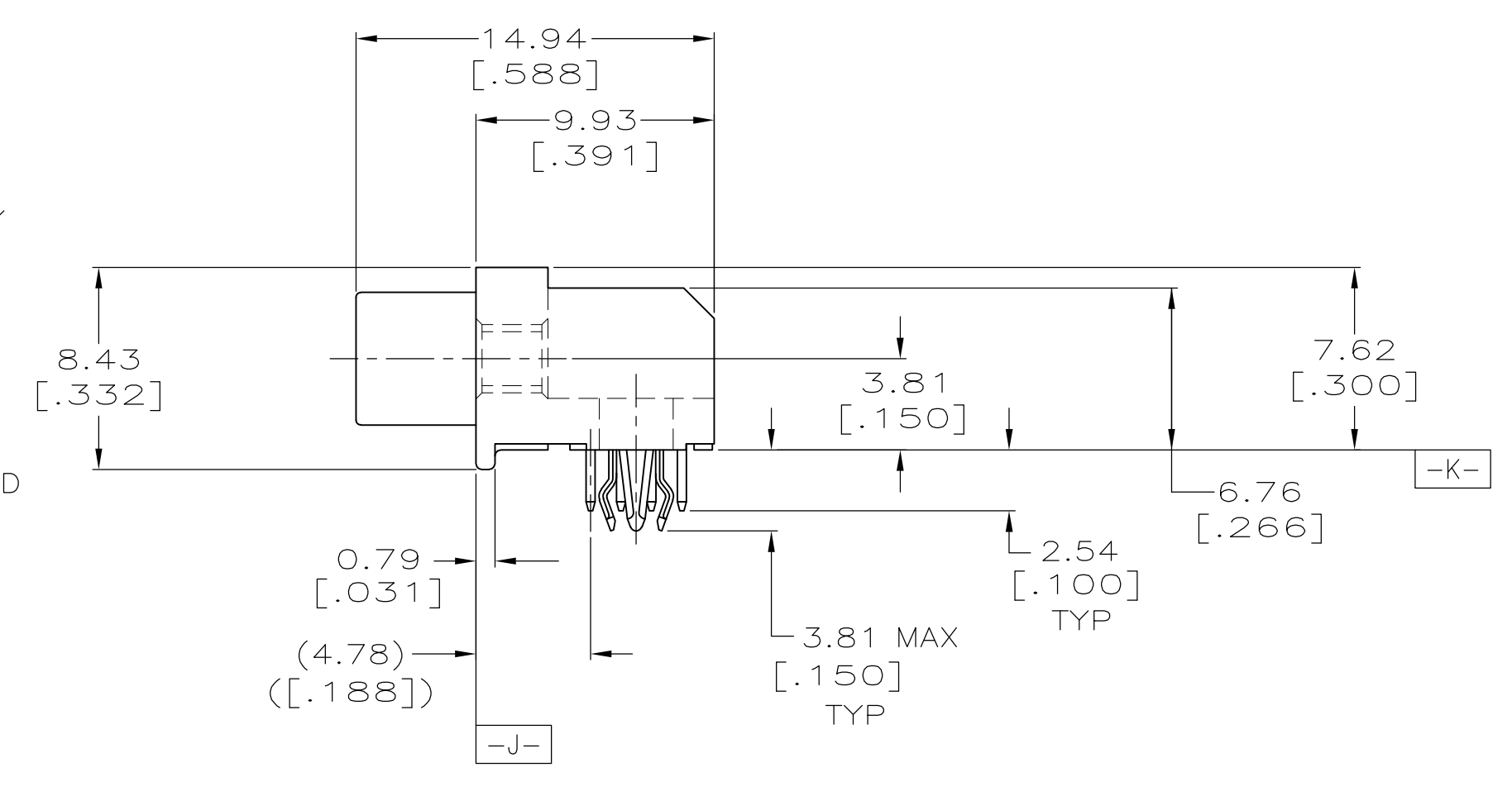


RECOMMENDED PANEL CUTOUT



- ① GOLD FLASH OVER PALLADIUM-NICKEL PLATE, 0.00076 [.000030] MIN TOTAL ON MATING SURFACES, 0.0038 [.000150] MIN TIN PLATE ON SOLDER-TAILS, 0.00127 [.000050] MIN NICKEL UNDERPLATE ON ENTIRE CONTACT.
 -OR- 0.00076 [.000030] MIN GOLD PLATE ON MATING SURFACES, 0.0038 [.000150] MIN TIN PLATE ON SOLDER-TAILS, 0.00127 [.000050] MIN NICKEL UNDERPLATE ON ENTIRE CONTACT.
- ② POSITION TOLERANCE APPLIES AT TIP ONLY.
- ③ MATERIAL: CONTACTS-PHOSPHOR BRONZE, RECEPTACLE HOUSING-UL 94V-0 RATED LCP, COLOR BLACK, BRACKET-ZINC, METAL SHELL-CARBON STEEL, BOARDLOCKS-COPPER ALLOY.
- ④ METAL SHELL: 0.00508-0.01016[.000200-.000400] TIN OVER 0.00127-0.00254[.000050-.000100] COPPER.
- ⑤ BRACKET: 0.00508-0.01016[.000200-.000400] TIN OVER 0.00508-0.00762[.000200-.000300] COPPER.
- ⑥ BOARDLOCKS: 0.00508-0.01016[.000200-.000400] TIN OVER 0.00127-0.00254[.000050-.000100] NICKEL.
- ⑦ GOLD FLASH OVER 1.02µm[.000040] MIN PALADIUM NICKEL ON MATING END, 1.27µm[.000050] MIN TIN ON SOLDER END, ALL OVER 1.27µm[.000050] MIN NICKEL.
- ⑧ CONTACTS: SEE TABLE.
- ⑨ OBSOLETE PARTS: OBSOLETE CIS STREAMLINING PER D.RENAUD/D.SINISI

⑨ OBSOLETE	①	5750823-3
	①	5750823-1
	CONTACT FINISH	PART NUMBER

**COPYRIGHT 2005
 TYCO ELECTRONICS CORP
 ALL RIGHTS RESERVED**

THIS DRAWING IS A CONTROLLED DOCUMENT.		OWN G. ATTADIA - DOCKS 03-01-05	CHK S. SHUFY 03-01-05	APVD M. WALMSLEY 03-01-05	NAME	Tyco Electronics Corporation Harrisburg, Pa 17105-3608	
DIMENSIONS: mm[INCHES]		TOLERANCES UNLESS OTHERWISE SPECIFIED:		PRODUCT SPEC		RECEPTACLE ASSEMBLY, SHIELDED, 26 POSN, RIGHT ANGLE, AMPLIMITE .050 Series SLIMLINE	
MATERIAL		FINISH		APPLICATION SPEC		RESTRICTED TO	
③		④⑤⑥⑧		—		—	
CUSTOMER DRAWING		SCALE 4:1		SHEET 1 OF 1		REV A	