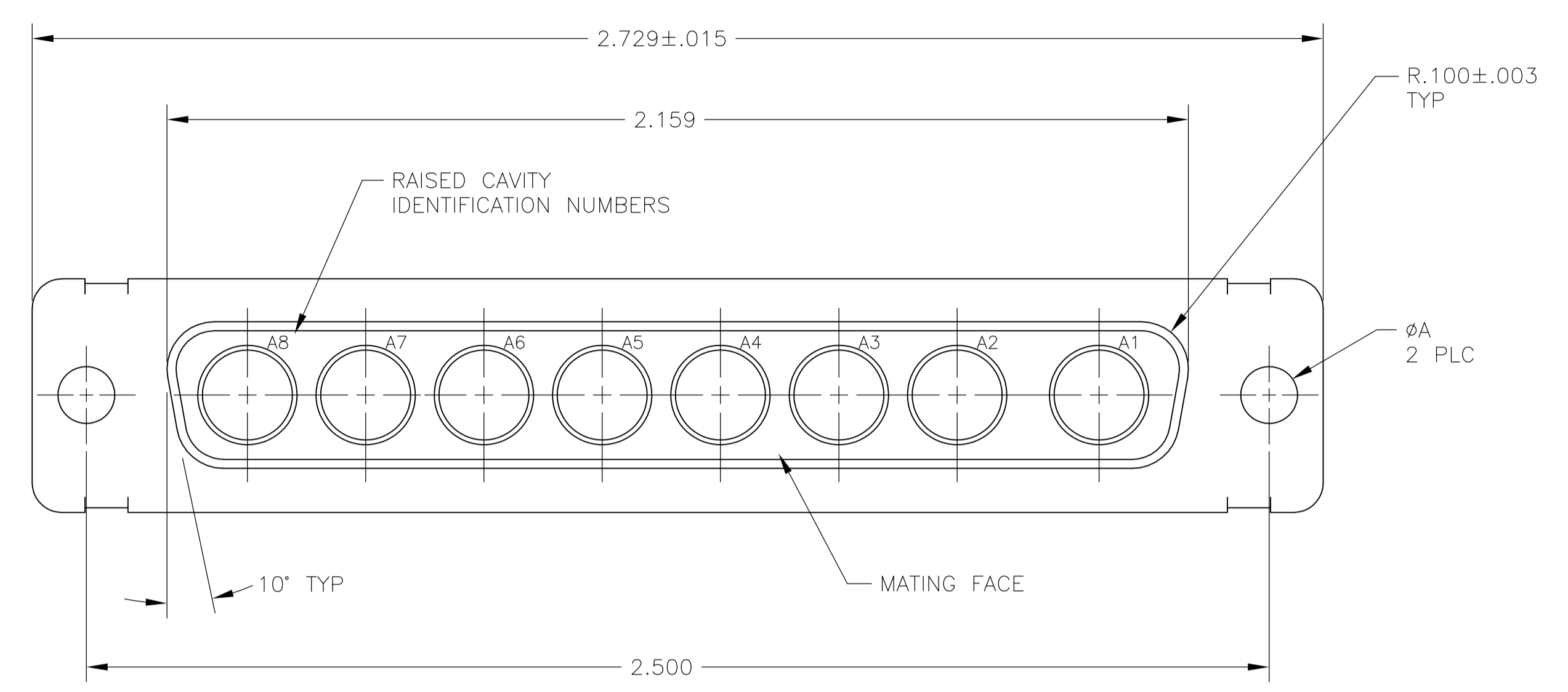
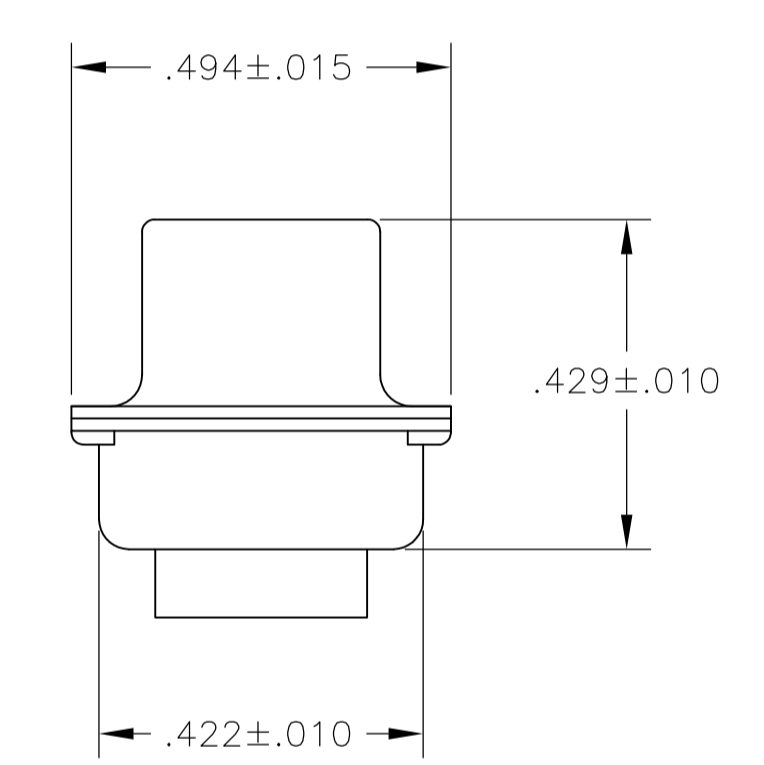
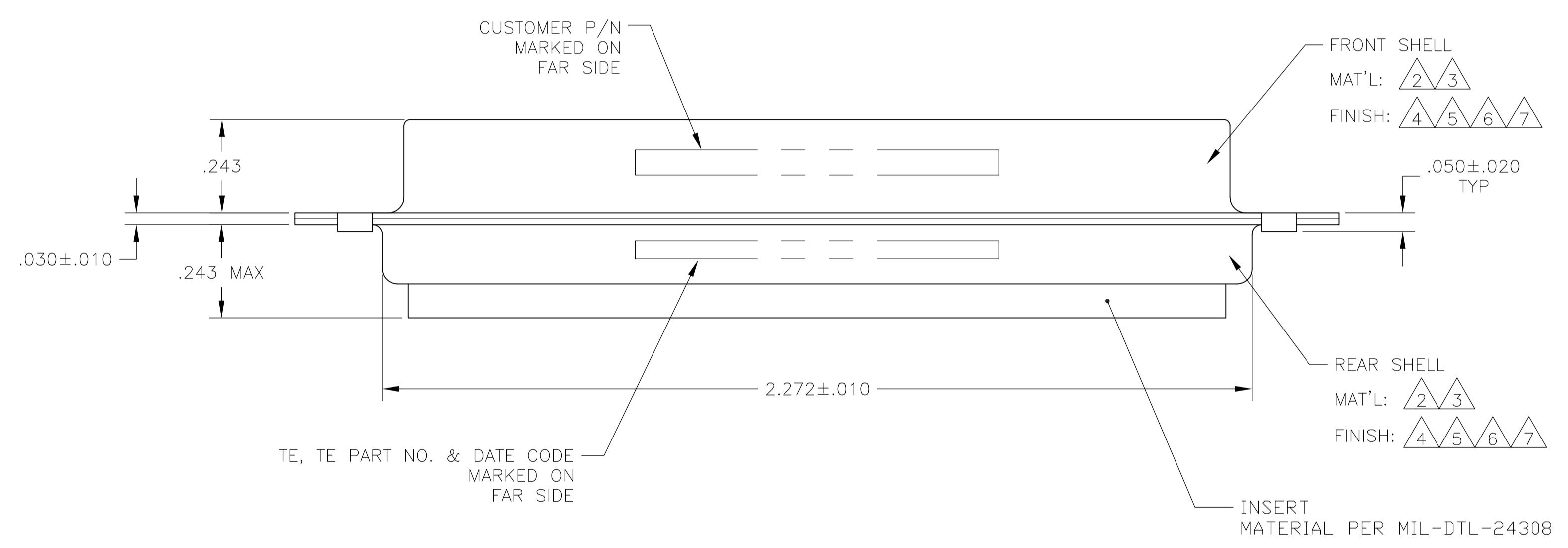


| REVISONS |                       | DATE    | BY | APPV |
|----------|-----------------------|---------|----|------|
| NO.      | DESCRIPTION           |         |    |      |
| 1        | REV PER ECO-15-016251 | 13NOV15 | KG | CD   |



- THIS CONNECTOR ACCEPTS (8) POWER 8, OR COAX SOCKET CONTACTS IN POSITIONS A1 THRU A8, PURCHASED SEPARATELY.
- STEEL PER ASTM-A-109.
- BRASS PER MIL-C-50 AND ASTM-B-36 UNS NO. C26000.
- FINISH: CADMIUM PLATED PER QQ-P-416.
- GOLD PLATED PER ASTM-B-488 TYPE 3, CODE C, CLASS 1.25 OVER COPPER PER MIL-C-14550, CLASS IV.
- FINISH: TIN PER ASTM-B-545 .000400 MIN THK OVER COPPER PER AMS2418 .000050 MIN THK.
- FINISH: ZINC PLATED PER ASTM-B-633 .000200-.000400 THK WITH SUPPLEMENTARY CHROMATE (Cr3+).



PRELIMINARY- NOT RELEASED FOR PRODUCTION

| REMARKS | ØA   | CUSTOMER PART NO.       | PART NO.   |
|---------|------|-------------------------|------------|
| 2, 6    | .120 | -                       | 5-445730-5 |
| 2, 7    | .120 | -                       | 5-445730-1 |
| 2, 4    | .120 | 13508255                | 445730-8   |
| 3, 5    | .120 | ST81D284-002            | 445730-7   |
| 3, 5    | .120 | B010942-0042            | 445730-6   |
| 2, 6    | .120 | -                       | 445730-5   |
| 3, 5    | .154 | 311P405-15S-B-15        | 445730-4   |
| 3, 5    | .120 | 311P405-15S-B-12        | 445730-3   |
| 2, 4    | .120 | 2037AS246-01,00779,3003 | 445730-2   |
| 2, 4    | .120 | -                       | 445730-1   |

THIS DRAWING IS A CONTROLLED DOCUMENT. **STE** TE Connectivity

|  |  |   |   |
|--|--|---|---|
| DIMENSIONS: INCHES<br>TOLERANCES UNLESS OTHERWISE SPECIFIED:<br>0 PLC ± -<br>1 PLC ± -<br>2 PLC ± -<br>3 PLC ± .005<br>4 PLC ± -<br>ANGLES ± 0°, 30° | DIMENSIONS: INCHES<br>TOLERANCES UNLESS OTHERWISE SPECIFIED:<br>0 PLC ± -<br>1 PLC ± -<br>2 PLC ± -<br>3 PLC ± .005<br>4 PLC ± -<br>ANGLES ± 0°, 30° | THIS DRAWING IS A CONTROLLED DOCUMENT.<br>DATE: 29-NOV-88<br>CHK: T. SHUEY<br>01-DEC-88<br>APPV: A. EMADI<br>01-DEC-88<br>NAME: RECEPTACLE ASSEMBLY AMPLIMITE 8C8 SIZE 4, SERIES 109, COAX<br>SIZE: A1<br>CAGE CODE: 00779<br>DRAWING NO: 445730<br>WEIGHT: -<br>CUSTOMER DRAWING | RESTRICTED TO: -<br>SCALE: 4:1<br>SHEET: 1 OF 1<br>REV: T |
|--|--|---|---|

# Mouser Electronics

Authorized Distributor

Click to View Pricing, Inventory, Delivery & Lifecycle Information:

[TE Connectivity:](#)

[445730-5](#)