

## 2.8 mm Blind Mate Connectors (Continued)

### Bulkhead Jack

#### Material and Finishes

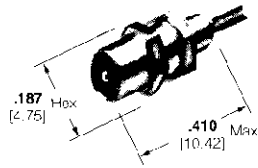
**Center Contact** — Beryllium copper, gold plated

**Inner Shell** — Beryllium copper, gold plated

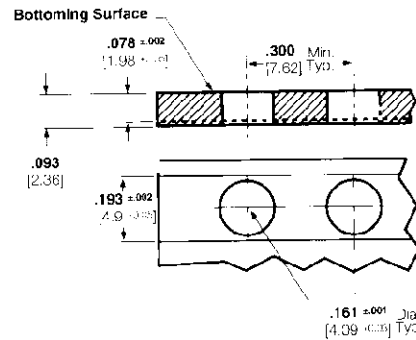
**Dielectric** — TEFLON

**Grip Ring** — Beryllium copper or brass, nickel plated

**Shroud** — Beryllium copper, gold plated



047 [1.19] Semi-Rigid Cable - Part No. 413024-1



Recommended Panel Layout

### Launcher

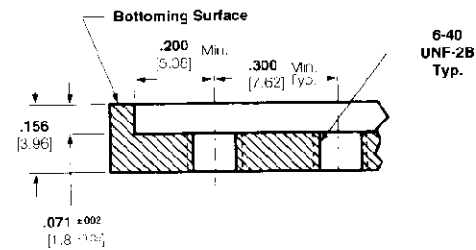
#### Materials and Finishes

**Center Contact** — Brass, gold plated

**Inner Shell** — Beryllium copper, gold plated



Part No. 413020-1



Recommended Panel Layout

6-40  
UNF-2B  
Typ.

### Plug

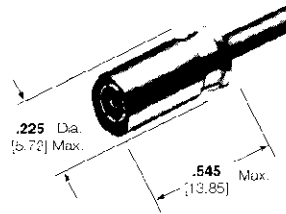
#### Materials and Finishes

**Shroud and Grip Ring** — Brass, nickel plated

**Retaining Clip** — Beryllium copper, gold plated

**Shell and Contact** — Beryllium copper, gold plated

**Dielectric** — TEFLON



RG-405 Semi-Rigid/.086 Cable  
Part No. 413242-1

### Jack

#### Materials and Finishes

**Sleeve and Grip Ring** — Brass, nickel plated

**Retaining Clip** — Beryllium copper, nickel plated

**Shell and Contact** — Beryllium copper, gold plated

**Dielectric** — TEFLON

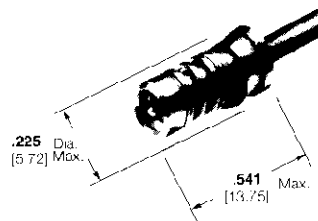
**Application Tool** — 59980-1

(Requires Die Set and Locator, see table for part numbers)

**Trimmer Tool** — 312317-1

**Cable Dressing Fixture** — 311395-1

**Note:** All the above tools are included in Hand Tool Kit No. 59981-1 (see in the table)



RG-405 Semi-Rigid/.086 Cable  
Part No. 413249-1

Connector Cable Range Selection Code†	RG/U Cable	Connector Configuration	Part No.	Hand Tool Kit No. 59981-1	
				Die Set	Locator*
P	405 Semi-Rigid .086 [2.18]	Plug Jack	413242-1	312253-2	852113-1
			413249-1	312253-2	852114-1

†Refer to pages 14 and 15 for code specifications.

\*Not included in Hand Tool Kit No. 59981-1; must be purchased separately.