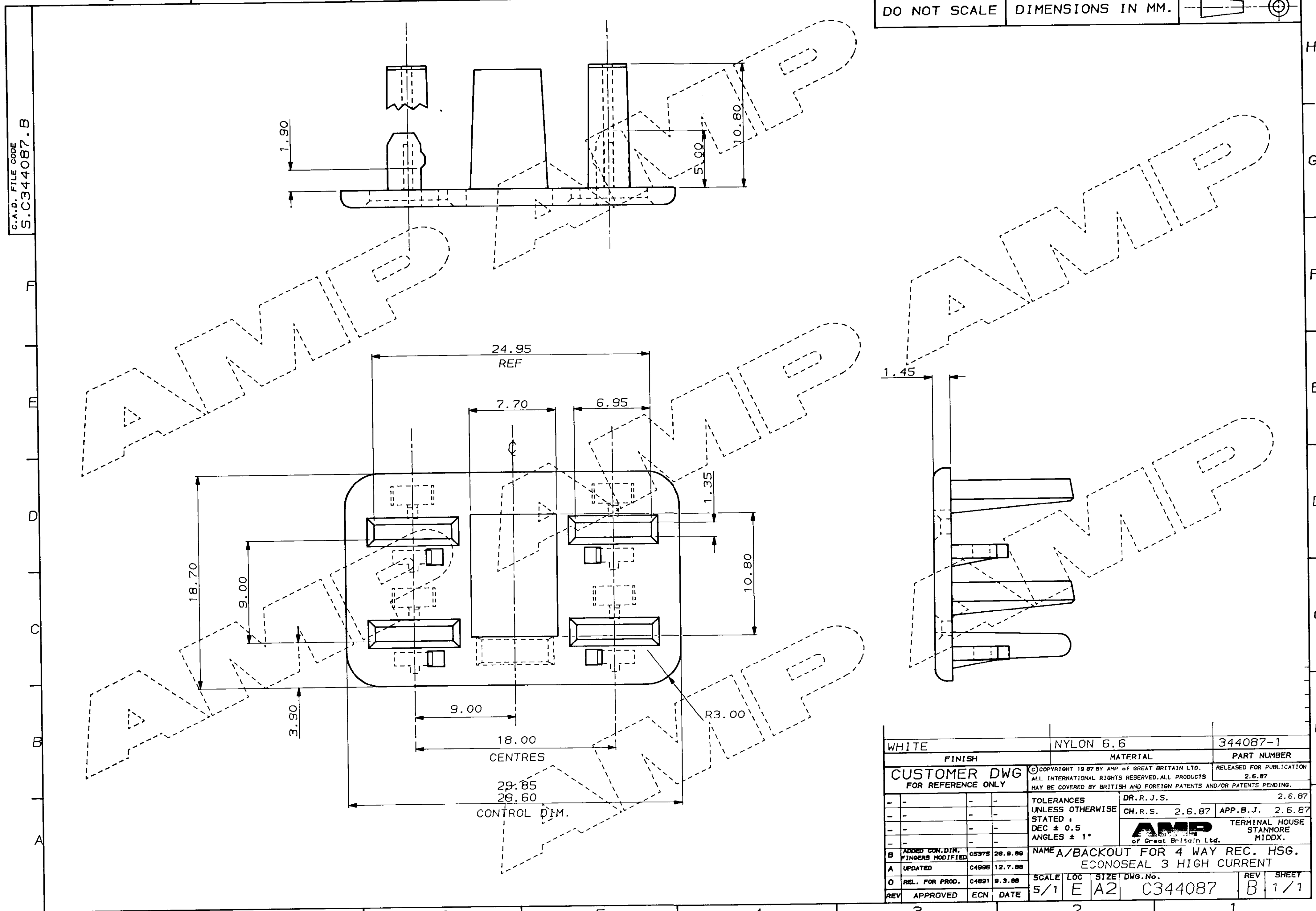
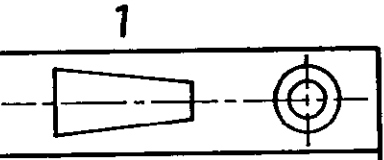


C.A.D. FILE CODE
S.C344087.B

DO NOT SCALE DIMENSIONS IN MM.



WHITE	NYLON 6.6	344087-1
FINISH	MATERIAL	PART NUMBER
CUSTOMER DWG FOR REFERENCE ONLY	© COPYRIGHT 19 87 BY AMP OF GREAT BRITAIN LTD. ALL INTERNATIONAL RIGHTS RESERVED. ALL PRODUCTS MAY BE COVERED BY BRITISH AND FOREIGN PATENTS AND/OR PATENTS PENDING.	RELEASED FOR PUBLICATION 2.6.87
-	TOLERANCES UNLESS OTHERWISE STATED :	DR. R. J. S. 2.6.87
-	DEC ± 0.5	CH. R. S. 2.6.87 APP. B. J. 2.6.87
-	ANGLES ± 1°	AMP TERMINAL HOUSE STANMORE MIDDX. of Great Britain Ltd.
B	ADDED CON. DIM. FINGERS MODIFIED	C5375 28.9.88
A	UPDATED	C4996 12.7.88
O	REL. FOR PROD.	C4891 9.3.88
REV	APPROVED	ECN DATE
5/1	E	A2
SCALE	LOC	SIZE
5/1	E	A2
DWG. No.	REV	SHEET
C344087	B	1/1

Mouser Electronics

Authorized Distributor

Click to View Pricing, Inventory, Delivery & Lifecycle Information:

[TE Connectivity:](#)

[344087-1](#)