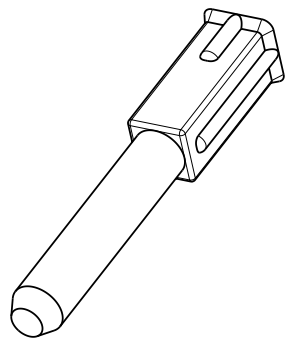
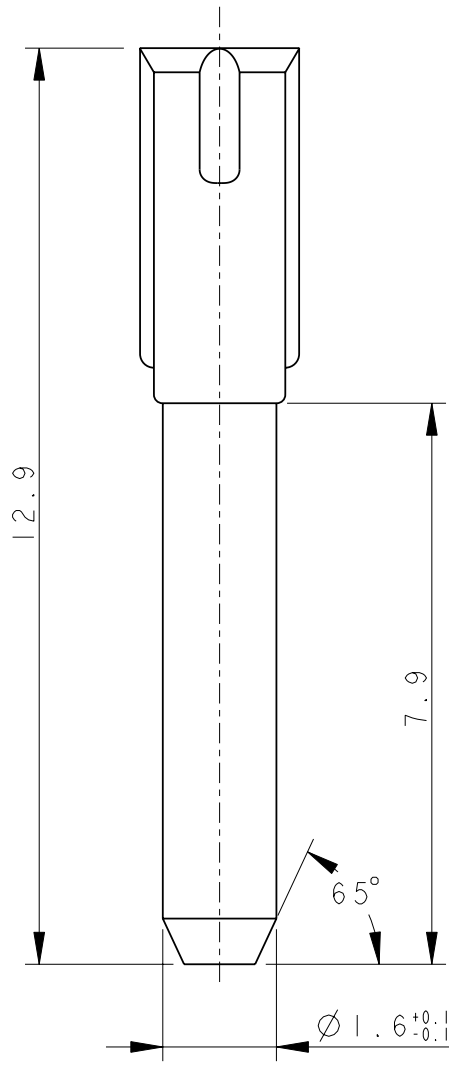
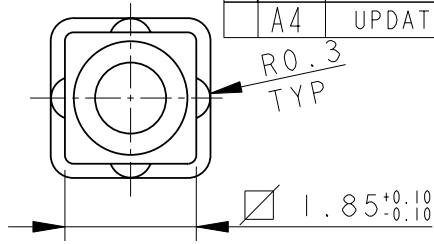


LOC	DIST	REVISIONS					
		P	LTR	DESCRIPTION	DATE	DWN	APVD
			A	FIRST ISSUE (ET00-0236-00)	11SEP2000	D.B.	A.G.
			A1	MODIFIED PART (ET00-0210-01)	28AUG01	D.B.	A.G.
			A2	RELEASED FOR PRODUCTION (ET00-0053-02)	27MAR02	F.A.	O.C.
			A3	UPDATED (ECR-07-026709)	20NOV07	F.A.	O.C.
			A4	UPDATED DRAWING (ECR-09-015687)	15JUL09	M.P.	M.G.



1 MATERIAL: PA6.6 COLOUR YELLOW
(MATERIALE: PA 6.6 COLORE GIALLO)

2- THIS P/N IS SUITABLE TO PLUG
UNUSED CAVITY ON TYCO CONNECTORS:
P/N 284272 (ALL POLARIZATIONS)
P/N 699943-1
P/N 1-1419168-1

(QUESTO CODICE E' UTILIZZATO PER TAPPARE
LE CAVITA' NON UTILIZZATE NEI CONNETTORI
TYCO:
- P/N 284272 (TUTTE LE POLARIZZAZIONI)
- P/N 699943-1
- P/N 1-1419168-1)

P/N 284583-1 AS SHOWN

2001
 RELEASED FOR PUBLICATION
 THIS DRAWING IS UNPUBLISHED.
 COPYRIGHT 2001 BY TYCO ELECTRONICS CORPORATION. ALL RIGHTS RESERVED.

DIMENSIONS: mm	DWN	I ISEP00	MATERIAL	1	FINISH	1
	CHK	I ISEP00	AMP Italia S.p.A. C.so F.lli Cervi 15 Collegno (TO)			
TOLERANCES UNLESS OTHERWISE SPECIFIED: 0 PLC ±0.3 1 PLC ±0.3 2 PLC ±0.3 3 PLC ± 4 PLC ± ANGLES ±2°	APVD	I ISEP00	NAME			
	PRODUCT SPEC	-	CAVITY PLUG			
	APPLICATION SPEC	-	SIZE	CAGE CODE	DRAWING NO	RESTRICTED TO
	WEIGHT	-	A 4	00779	C=284583	-
			CUSTOMER DRAWING		SCALE	10:1
					SHEET	1 OF 1
					REV	A 4