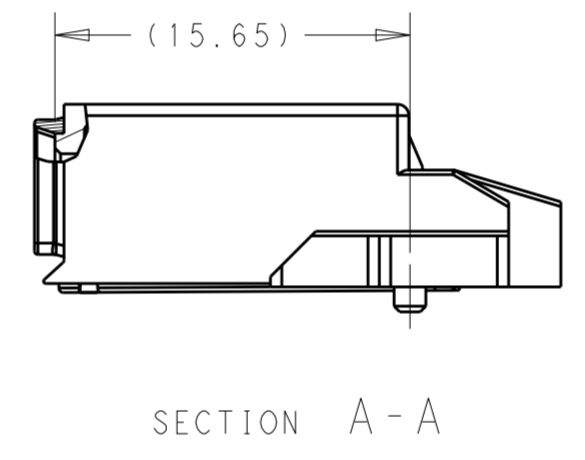
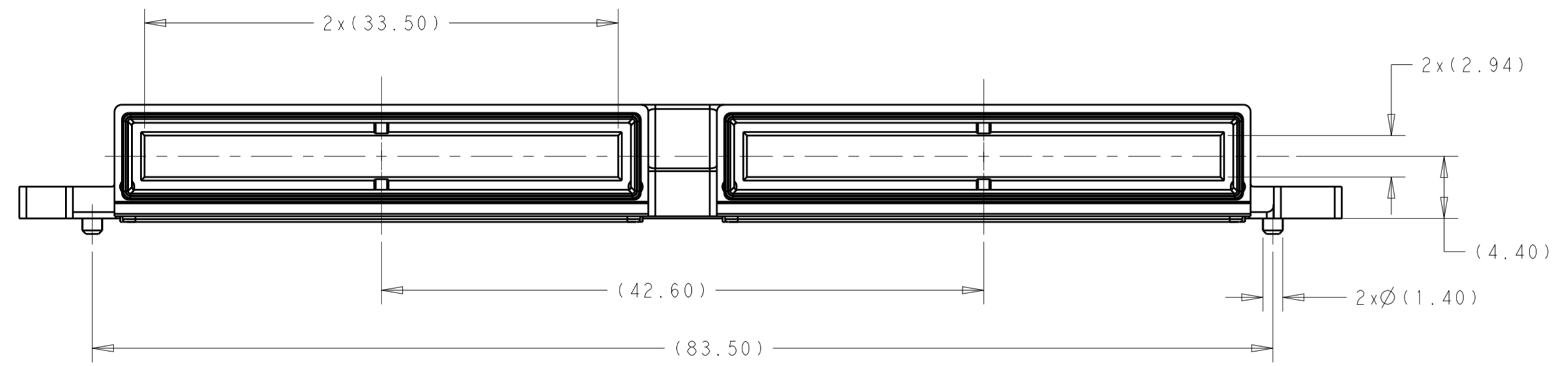
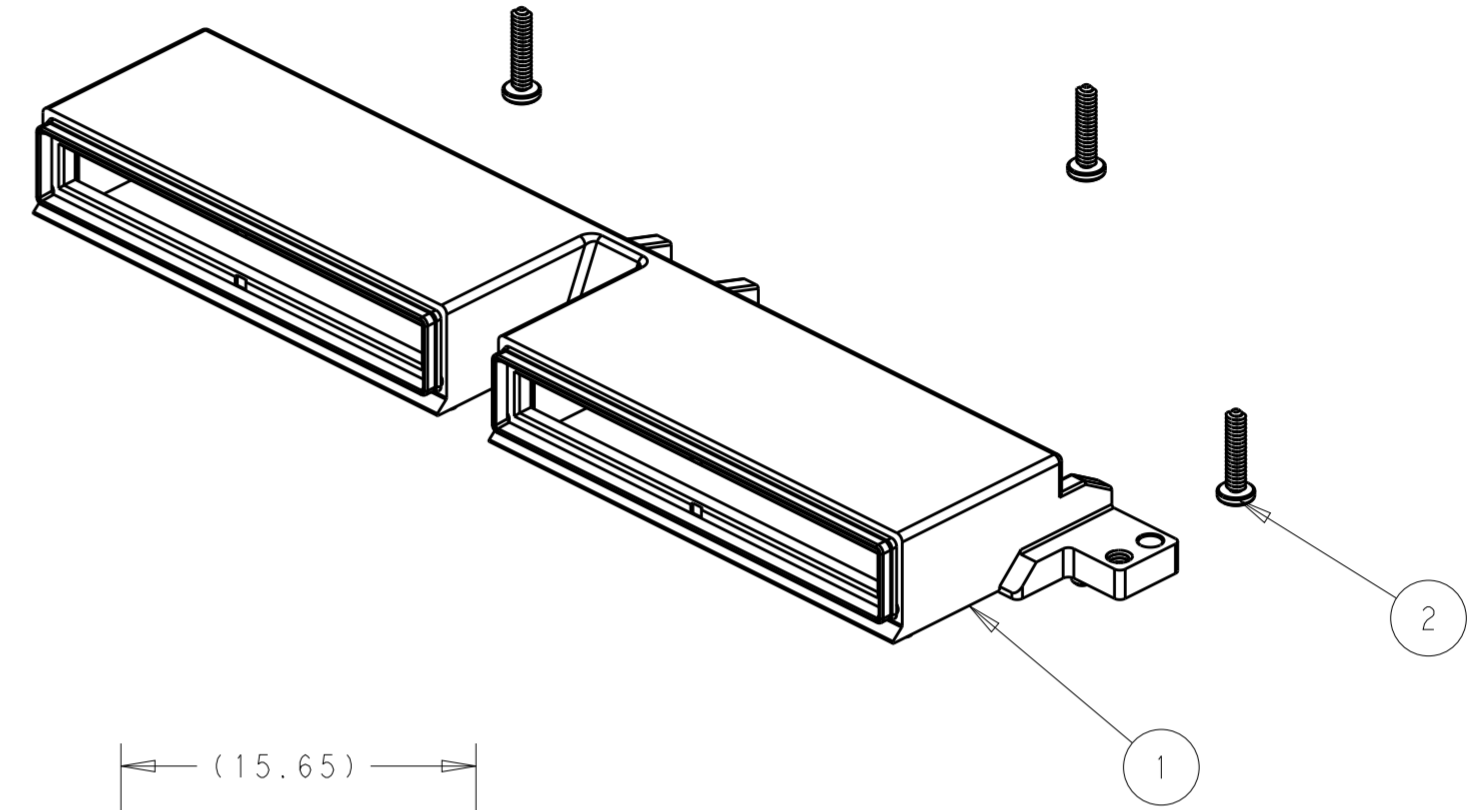
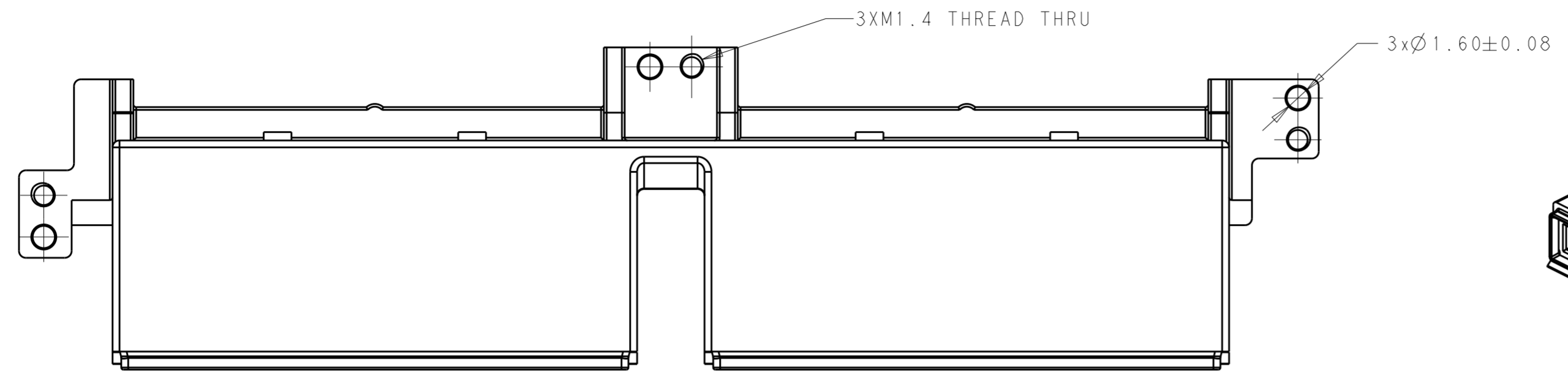


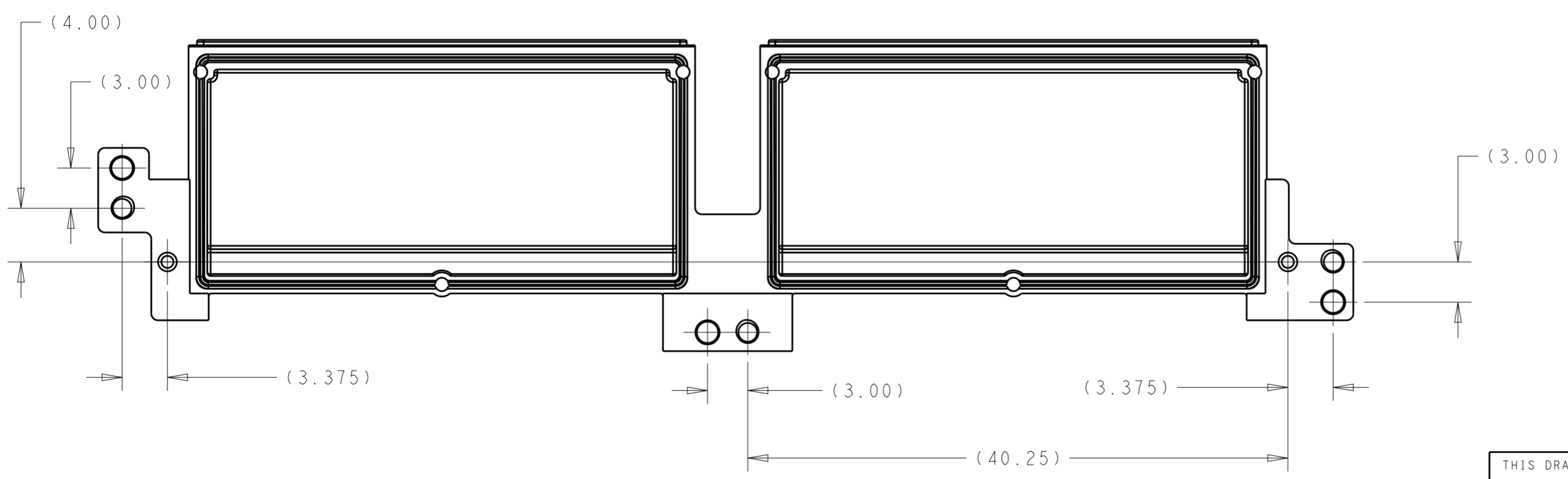
THIS DRAWING IS UNPUBLISHED. RELEASED FOR PUBLICATION 20
 © COPYRIGHT 20 BY - ALL RIGHTS RESERVED.

REVISIONS				
P	LTR	DESCRIPTION	DATE	APVD
1		PRELIMINARY DRAWING	01JUN2016	AD SH



THIS PRINT IS
PRELIMINARY
 UNQUALIFIED PRODUCT
 CONTACT PRODUCT ENGINEERING
 BEFORE USING THIS PRINT

1. MATERIAL: RECEPTACLE COVER- ZNIC ALLOY
 GASKET: SILICON
 SCREW: STAINLESS STEEL
2. PLATING: RECEPTACLE COVER-1.27um NICKEL OVER COPPER PLATED
3. PACKAGED AS SEPARATED KITS IN ONE BOX
4. MATE WITH MSA COMPLIANT TRANSCEIVER



3	2292789-1	M1.4X6 SCREW	2
1	2287077-1	RECEPTACLE COVER	1
-1	PART NUMBER	DESCRIPTION	ITEM

THIS DRAWING IS A CONTROLLED DOCUMENT.		DWN ANDY CIF 01JUN2016	TE Connectivity																						
DIMENSIONS: mm		CHK SEAN HAN 01JUN2016																							
TOLERANCES UNLESS OTHERWISE SPECIFIED:		APVD SEAN HAN 01JUN2016																							
<table border="1"> <tr><td>0 PLC</td><td>±</td><td>-</td></tr> <tr><td>1 PLC</td><td>±0.25</td><td>-</td></tr> <tr><td>2 PLC</td><td>±0.15</td><td>-</td></tr> <tr><td>3 PLC</td><td>±0.10</td><td>-</td></tr> <tr><td>4 PLC</td><td>±</td><td>-</td></tr> <tr><td>ANGLES</td><td>±</td><td>-</td></tr> <tr><td>FINISH</td><td>-</td><td>-</td></tr> </table>		0 PLC	±	-	1 PLC	±0.25	-	2 PLC	±0.15	-	3 PLC	±0.10	-	4 PLC	±	-	ANGLES	±	-	FINISH	-	-	NAME RECEPTACLE COVER WITH SCREW CFP2 1X2	SIZE A2	CAGE CODE -
0 PLC	±	-																							
1 PLC	±0.25	-																							
2 PLC	±0.15	-																							
3 PLC	±0.10	-																							
4 PLC	±	-																							
ANGLES	±	-																							
FINISH	-	-																							
MATERIAL -		APPLICATION SPEC -	DRAWING NO G-2304454	RESTRICTED TO -																					
CUSTOMER DRAWING		WEIGHT -	SCALE 1:1	SHEET 1 OF 1																					
		REV 1																							