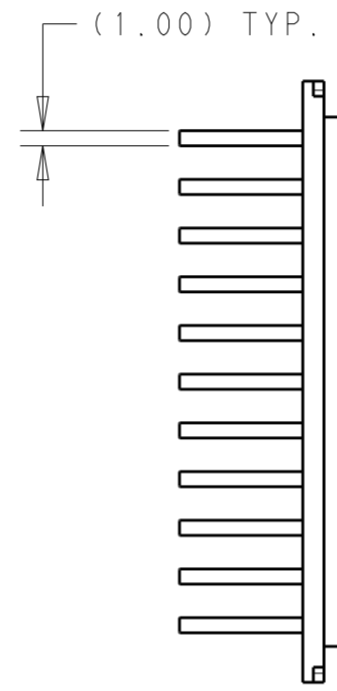
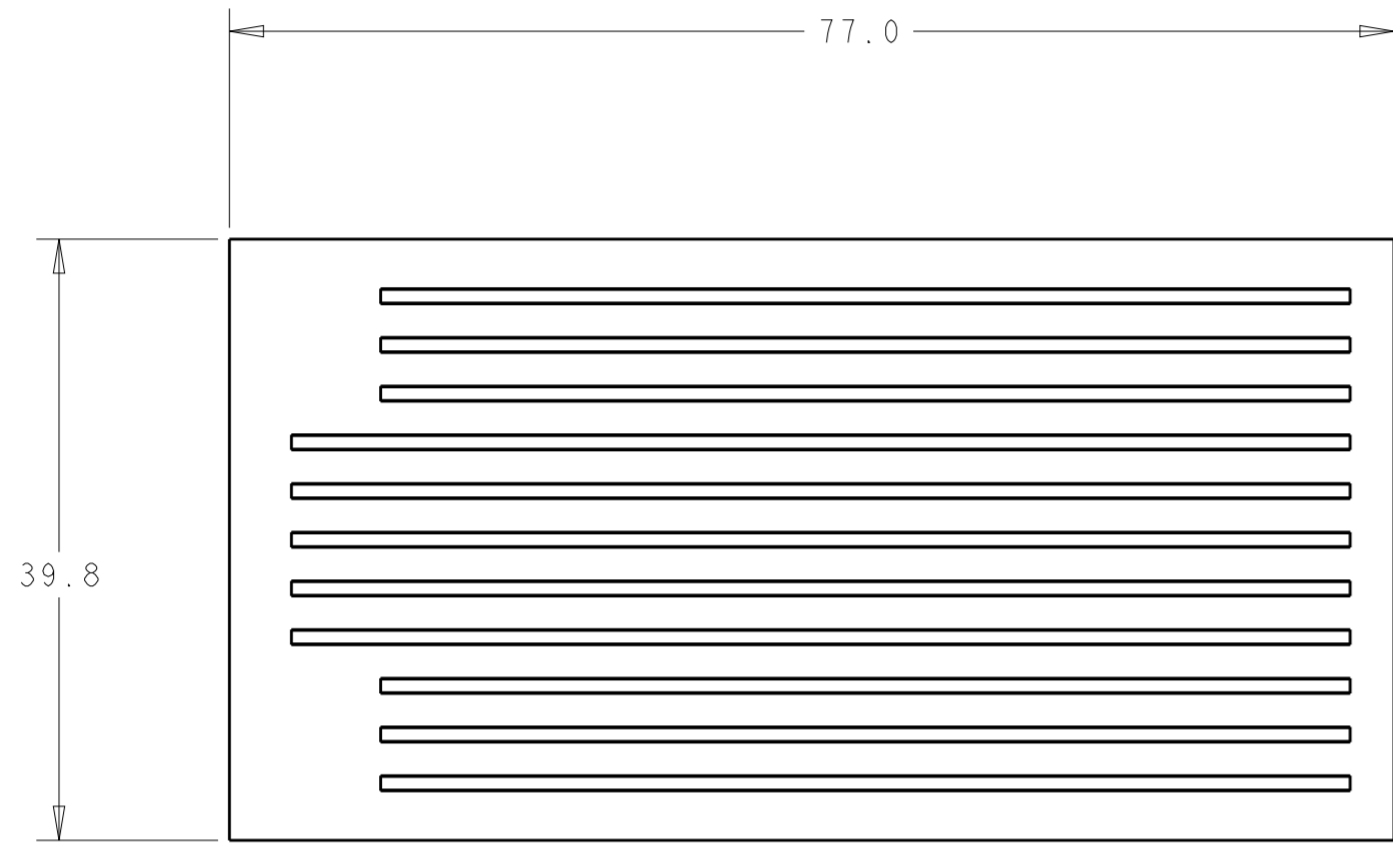
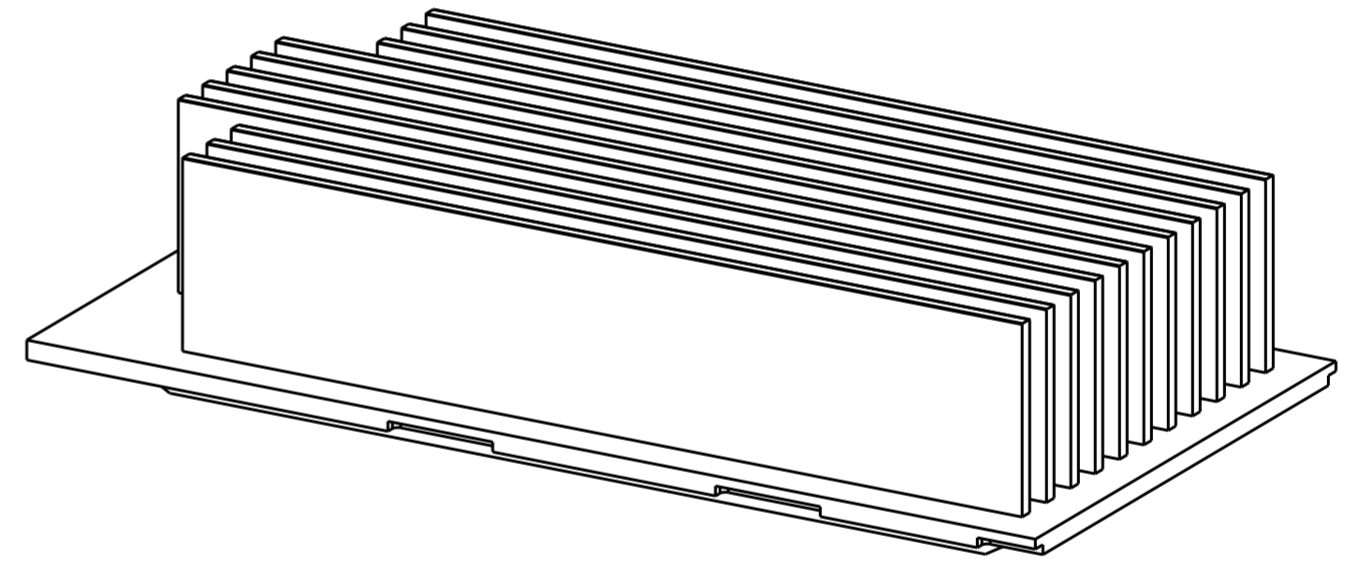


THIS DRAWING IS UNPUBLISHED. RELEASED FOR PUBLICATION 20
 © COPYRIGHT 20 BY - ALL RIGHTS RESERVED.

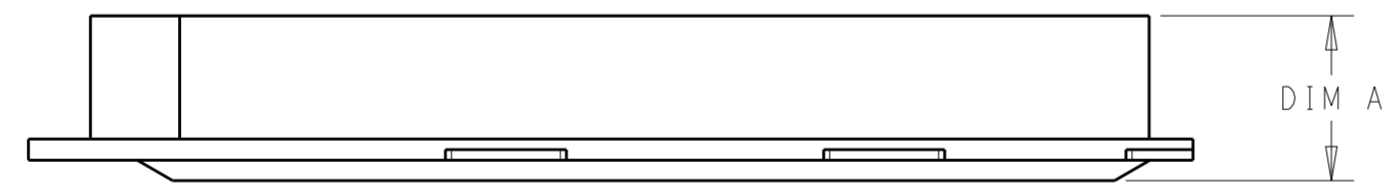
REVISIONS				
P	LTR	DESCRIPTION	DATE	APVD
1		INITIAL RELEASE	11OCT2016	AD SH



- ① MATERIAL: ALUMINUM ALLOY;
- ② FINISH: ELECTROLESS NICKEL;
- ③ FINISH: ANODIZED BLACK;
- 4. 0.2mm MAX BURR PERMISSIBLE
- 5. VARIATION IN PLATING COLOR IS NORMAL AND ALLOWED



2288218-6 AS SHOWN
SCALE 2:1



THIS PRINT IS
PRELIMINARY
 UNQUALIFIED PRODUCT
 CONTACT PRODUCT ENGINEERING
 BEFORE USING THIS PRINT

16.35	③	2288218-6
10.9	③	2288218-3
DIM. A	FINISH	PART NUMBER

THIS DRAWING IS A CONTROLLED DOCUMENT.		DWN ANDY XIF 11OCT2016	 TE Connectivity			
DIMENSIONS: mm		CHK SEAN HAN 11OCT2016				
TOLERANCES UNLESS OTHERWISE SPECIFIED:		APVD SEAN HAN 11OCT2016				
0 PLC ± 1 PLC ±0.3 2 PLC ±0.25 3 PLC ± 4 PLC ± ANGLES ± FINISH ±		NAME CFP2 HEAT SINK				
MATERIAL		PRODUCT SPEC	SIZE A2	CAGE CODE -	DRAWING NO. C-2288218	RESTRICTED TO -
		APPLICATION SPEC	SCALE 1:1		SHEET 1 OF 1	REV 1
		WEIGHT -	CUSTOMER DRAWING			