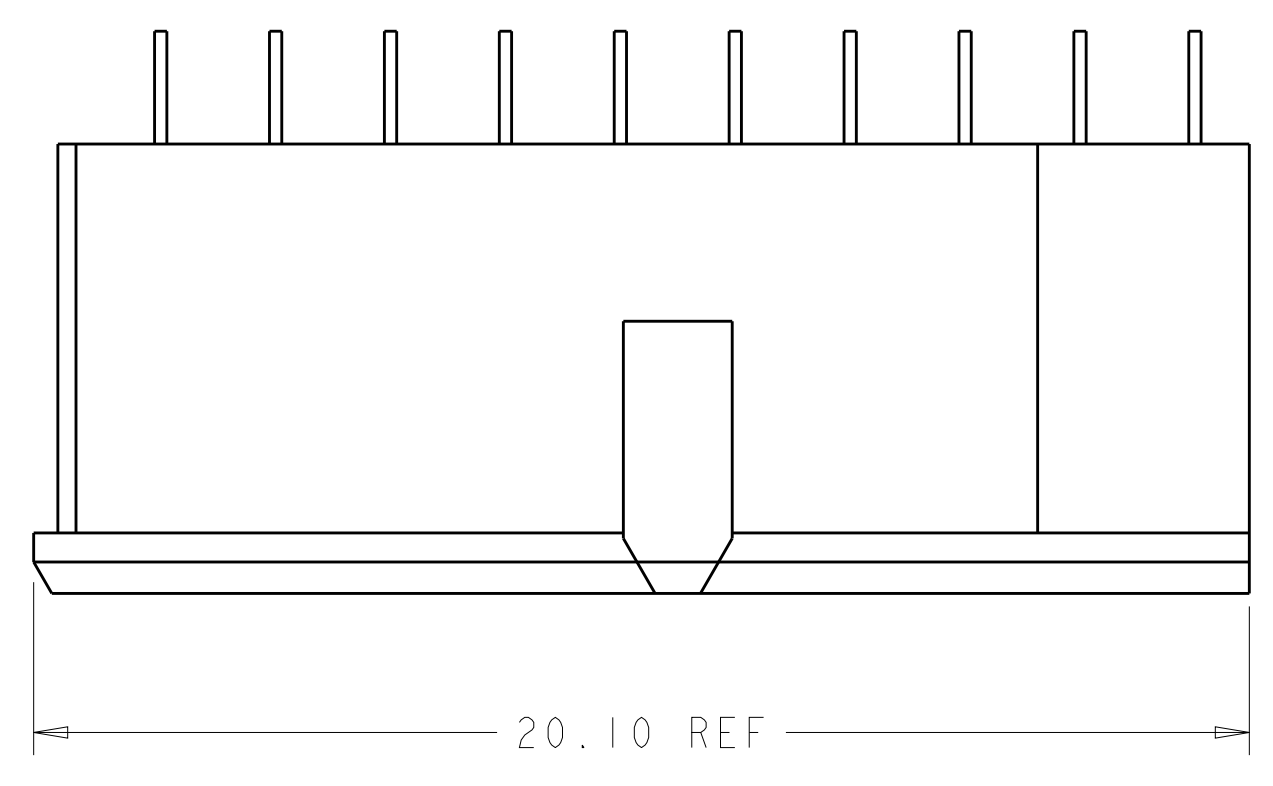
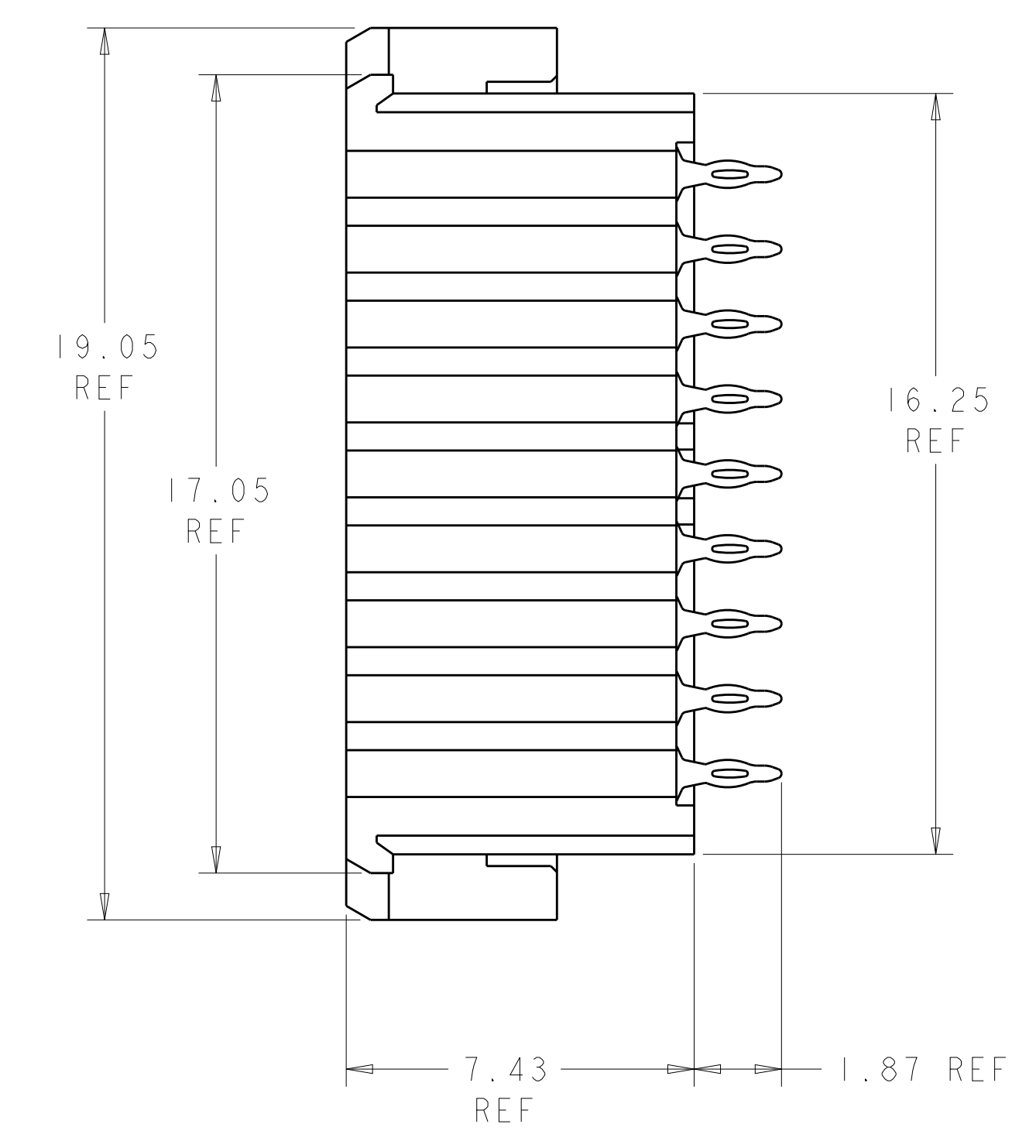
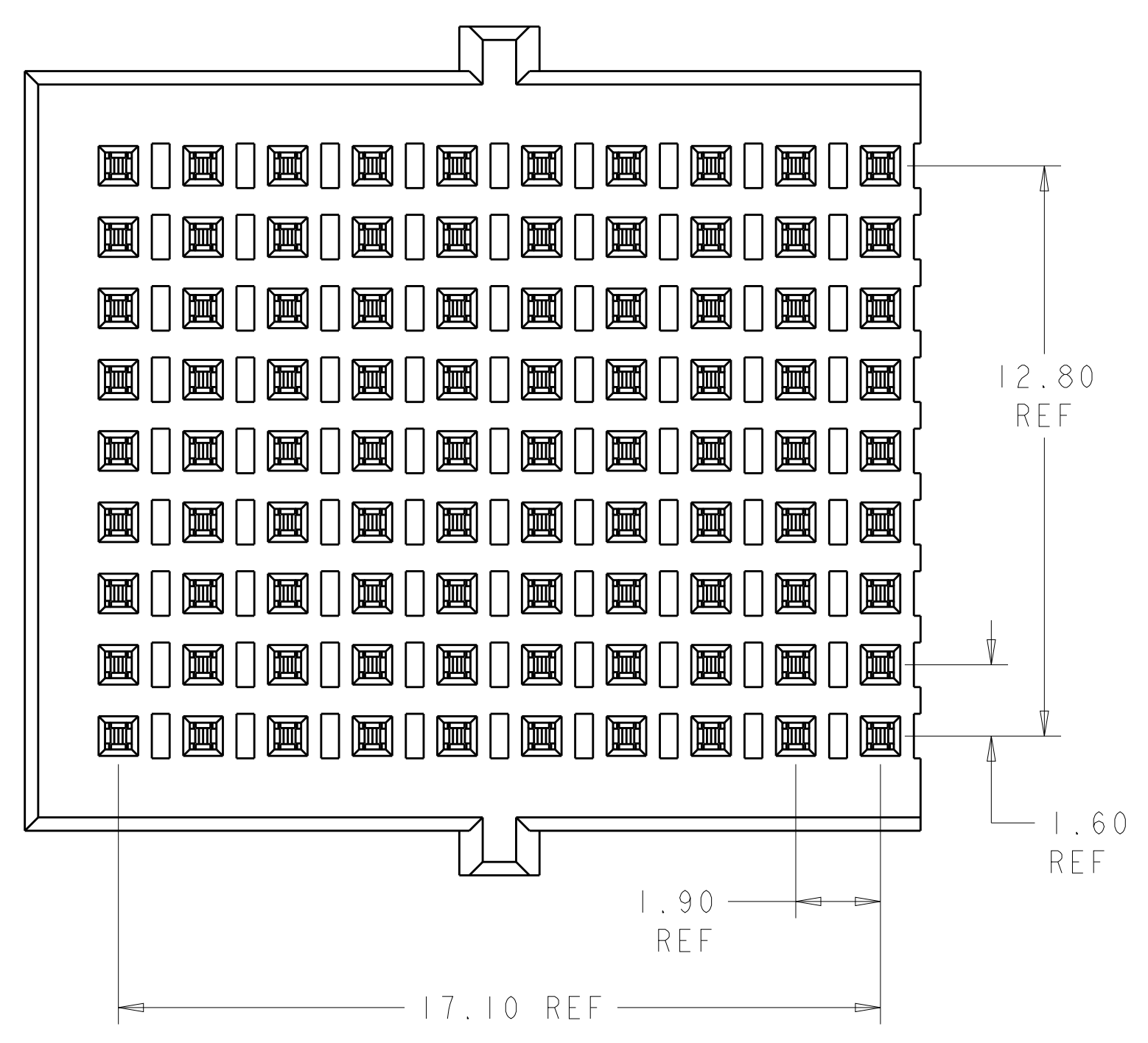


LOC		DIST		REVISIONS			
P	LTN	DESCRIPTION	DATE	DWN	APVD		
B		REV PER ECO 12-010940	7-31-12	CT	DH		



- 1 MATERIAL:
CONTACT - COPPER ALLOY
HOUSING - LCP, COLOR - BLACK
- 2 FINISH:
MATING AREA: 1.27µm MIN GOLD OVER
1.27µm MIN NICKEL
- 3 FINISH:
COMPLIANT PIN AREA: 0.38µm MIN BRIGHT TIN LEAD
OVER 1.27µm MIN NICKEL
- 4 FINISH:
COMPLIANT PIN AREA: 0.38µm MIN MATTE TIN
OVER 1.27µm MIN NICKEL
- 5 FINISH:
COMPLIANT PIN AREA: 0.38µm MIN GOLD
OVER 1.27µm MIN NICKEL
- 6 DATUMS AND BASIC DIMENSIONS ESTABLISHED BY CUSTOMER.
- 7 REFERENCE APPLICATION SPEC 114-13267 FOR RECOMMENDED
PLATING THRU HOLE DIAMETER AND PLATING THICKNESS.



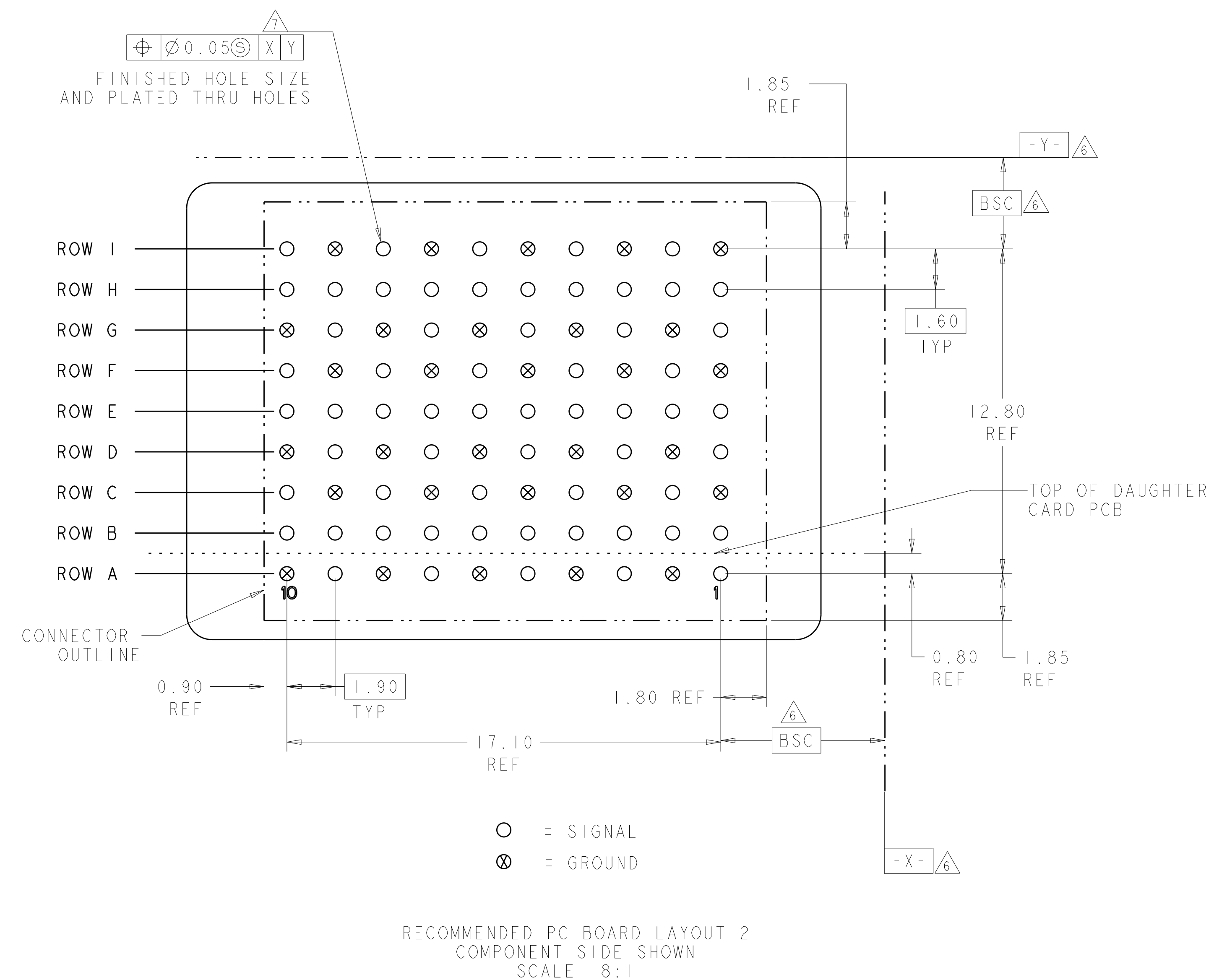
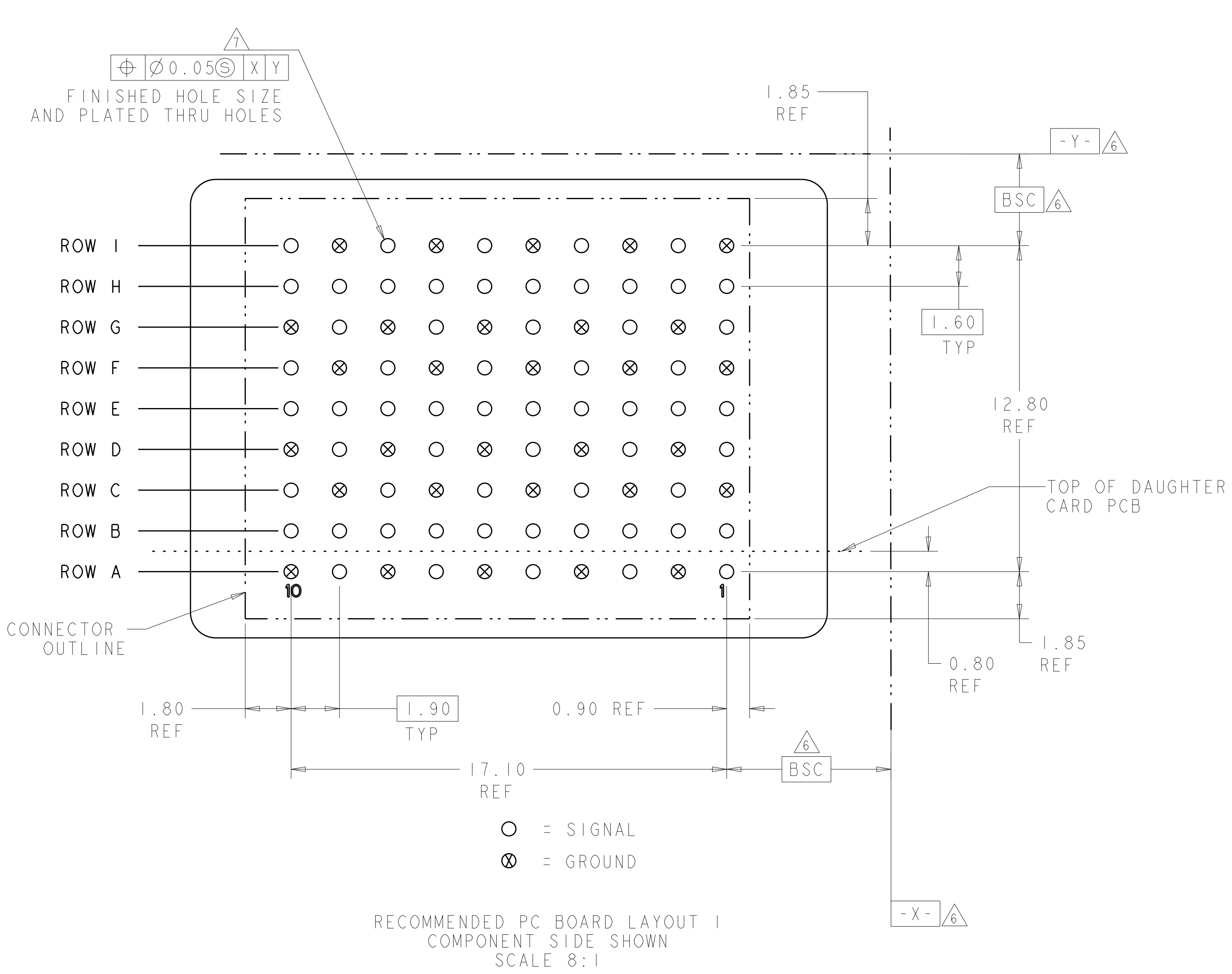
2 5	2000895-3
2 4	2000895-2
2 3	2000895-1
FINISH	PART NUMBER

THIS DRAWING IS A CONTROLLED DOCUMENT.

DIMENSIONS:	TOLERANCES UNLESS OTHERWISE SPECIFIED:	DWN D. BELACK 24JUN2009	CHK A. TSANG 6-24-2009	APVD M. McALONIS 6-24-2009
mm	0 PLC ±0.13 2 PLC ±0.05 3 PLC ± 4 PLC ± ANGLES ±2°	PRODUCT SPEC 108-2409	APPLICATION SPEC 114-13267	WEIGHT ~ 3.61 g
MATERIAL	FINISH	SIZE A100779	CAGE CODE C=2000895	RESTRICTED TO
		Customer Drawing	SCALE 8:1	SHEET 1 OF 2 REV B

STE TE Connectivity
 Fortis Zd. 10-COLUMN, 3-PAIR, VERTICAL END MODULE ASSEMBLY

LOC	DIST	REV	DATE	BY	APPV
-	-	1	-	-	-
REVISIONS			DESCRIPTION	DATE	DWN
-			SEE SHEET 1	-	-



THIS DRAWING IS A CONTROLLED DOCUMENT.		DWN: D. BELACK 24JUN2009	TE Connectivity
DIMENSIONS: mm		CHK: A. TSANG 6-24-2009	
TOLERANCES UNLESS OTHERWISE SPECIFIED:		APVD: M. McALONIS 6-24-2009	NAME: Fortis Zd. 10-COLUMN, 3-PAIR, VERTICAL END MODULE ASSEMBLY
0 PLC	±0.13	PRODUCT SPEC	SIZE: CAGE CODE DRAWING NO
2 PLC	±0.05	APPLICATION SPEC	RESTRICTED TO
4 PLC	±0.02	114-13267	A100779C=2000895
ANGLES	±2°	WEIGHT: 3.61	SCALE: 8:1 SHEET 2 OF 2 REV B
MATERIAL:	FINISH:	Customer Drawing	