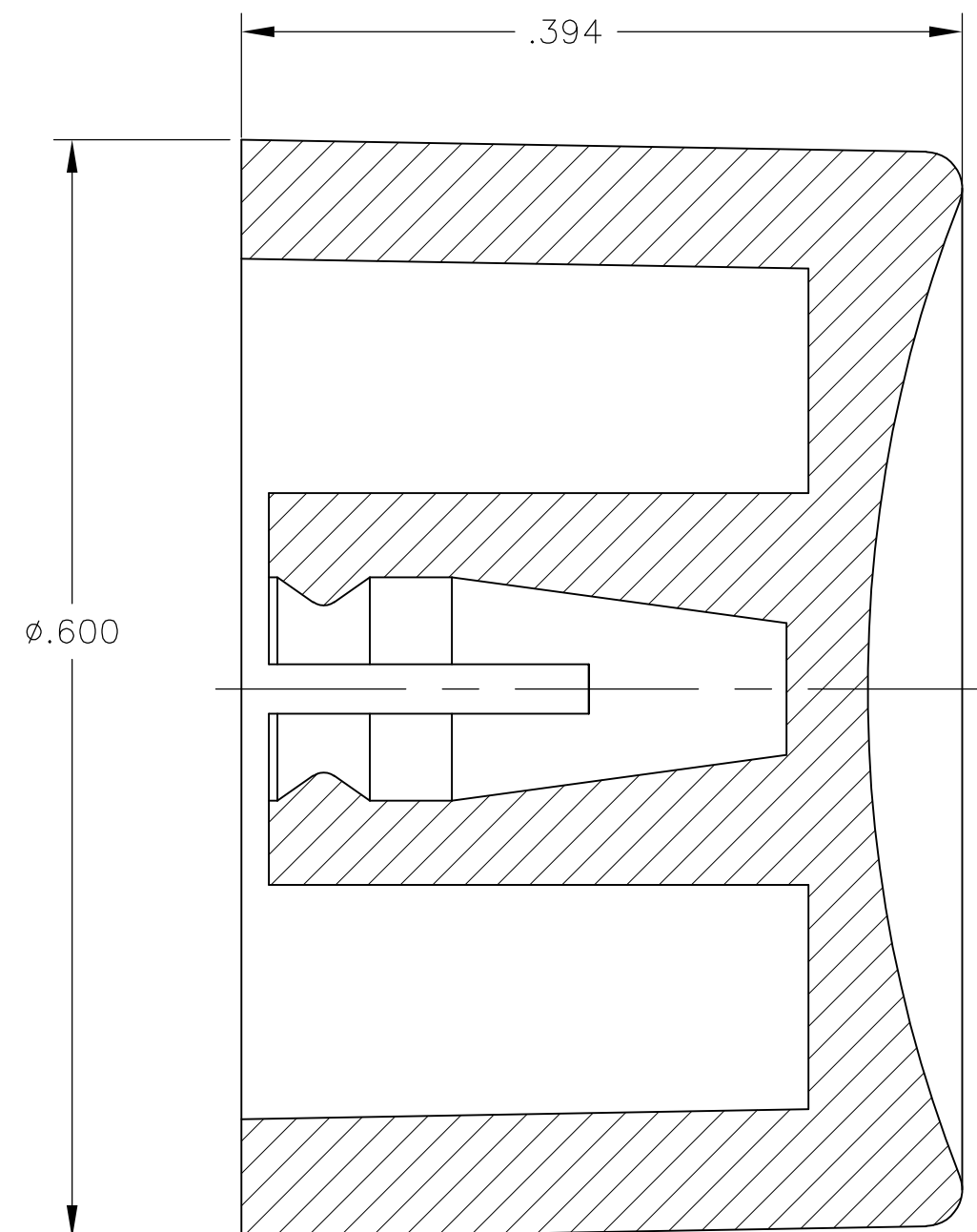
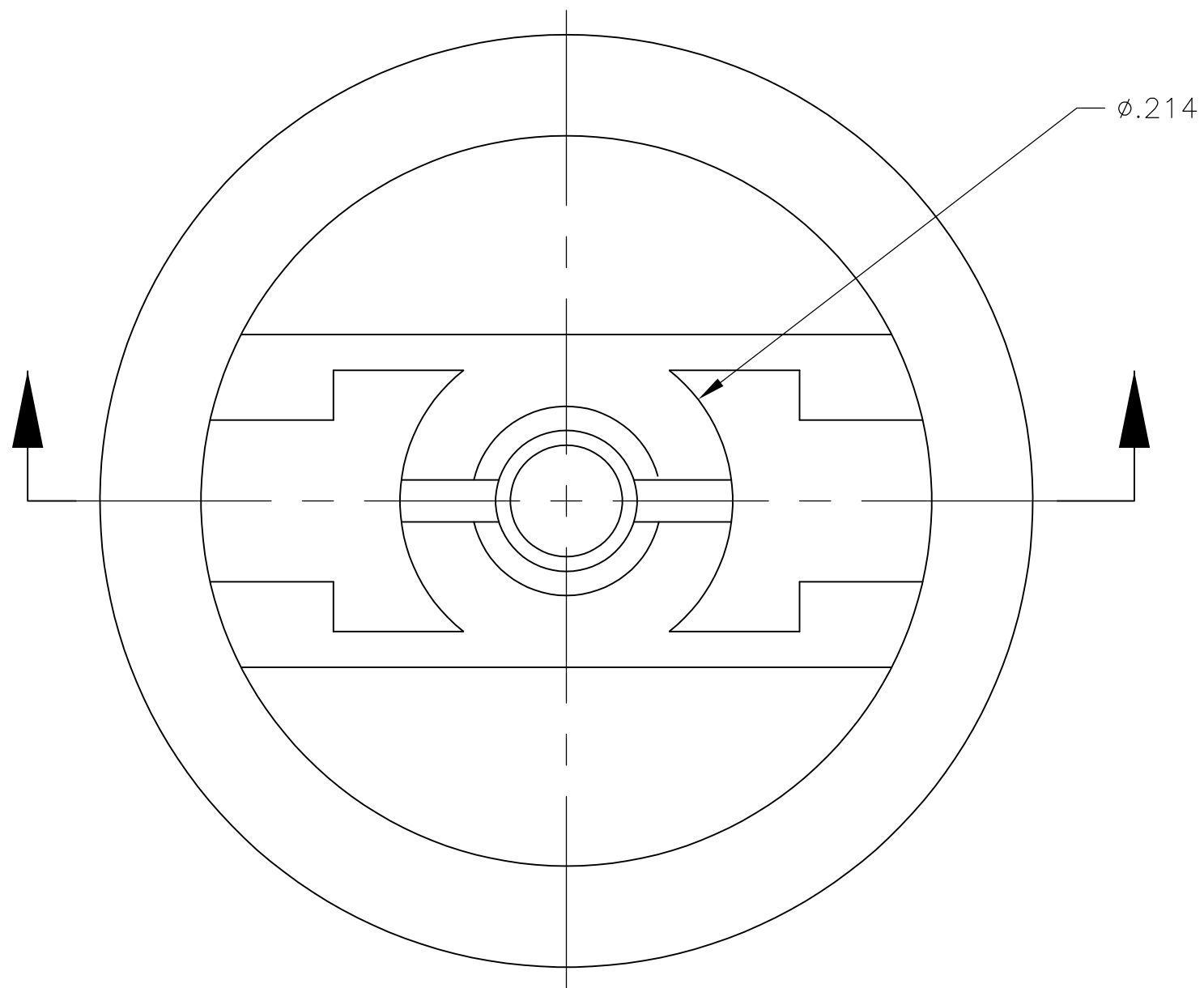


THIS DRAWING IS UNPUBLISHED. RELEASED FOR PUBLICATION
 © COPYRIGHT - By - ALL RIGHTS RESERVED.

LOC	DIST	REVISIONS			
P	LTR	DESCRIPTION	DATE	DWN	APVD
AD	00	A1	REVISED PER ECO-14-016841	07NOV2014	NK RH



WHITE	C23904	1825069-7
BLUE	C23604	1825069-6
GREEN	C23504	1825069-5
YELLOW	C23404	1825069-4
ORANGE	C23304	1825069-3
RED	C23204	1825069-2
BLACK	C23004	1825069-1
COLOR	ALCO PART NUMBER	TE PART NUMBER

- MATERIAL SHALL COMPLY WITH EU DIRECTIVE 2002/95/EC OF 20JAN2003 (ROHS)
- CAP FOR USE WITH GREEN SERIES PUSHBUTTON SWITCHES AS SHOWN ON DRAWINGS 4-1437567-3 AND 2-1437567-9

THIS DRAWING IS A CONTROLLED DOCUMENT.		DWN	M.BINNER	30NOV04																		
DIMENSIONS: INCHES		CHK	M.ZITTO	30NOV04																		
TOLERANCES UNLESS OTHERWISE SPECIFIED:		APVD	M.ZITTO	30NOV04																		
<table border="1"> <tr><td>0 PLC</td><td>±</td><td>-</td></tr> <tr><td>1 PLC</td><td>±</td><td>-</td></tr> <tr><td>2 PLC</td><td>±</td><td>-</td></tr> <tr><td>3 PLC</td><td>±</td><td>.003</td></tr> <tr><td>4 PLC</td><td>±</td><td>-</td></tr> <tr><td>ANGLES</td><td>±</td><td>1°</td></tr> </table>		0 PLC	±	-		1 PLC	±	-	2 PLC	±	-	3 PLC	±	.003	4 PLC	±	-	ANGLES	±	1°	PRODUCT SPEC	NAME
0 PLC	±	-																				
1 PLC	±	-																				
2 PLC	±	-																				
3 PLC	±	.003																				
4 PLC	±	-																				
ANGLES	±	1°																				
MATERIAL	POLYAMIDE	FINISH	-	APPLICATION SPEC	-																	
WEIGHT		-		SIZE	A2																	
CUSTOMER DRAWING		CAGE CODE	00779	DRAWING NO	C=1825069																	
SCALE		10:1		SHEET	1 of 1																	
REV		A1		RESTRICTED TO	-																	

Mouser Electronics

Authorized Distributor

Click to View Pricing, Inventory, Delivery & Lifecycle Information:

[TE Connectivity:](#)

[1825069-6](#) [1825069-3](#)