

Special Connectors Spark Suppressor Connectors

Standard Type

Housing

(the lid is part of housing)

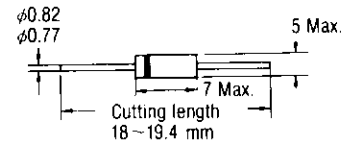
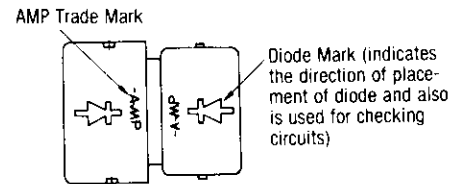
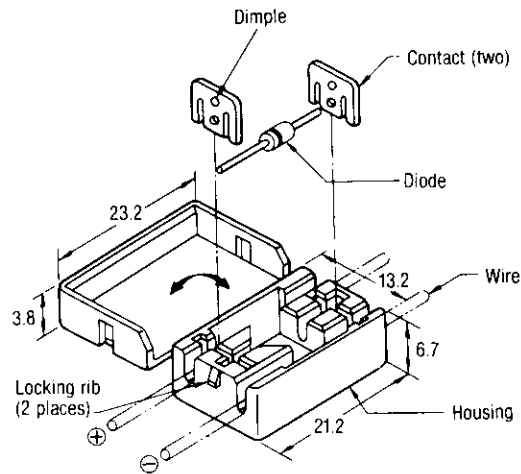
Part Number : 172006-1

Material : 66 Nylon,
UL94V-2 rated, Natural

Contact (two required)

Part Number : 170284-1

Material : Tin-plated Brass



Diode (not furnished by AMP)

Mark II Type

Housing

(the lid is part of housing)

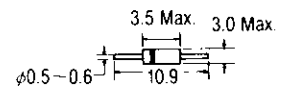
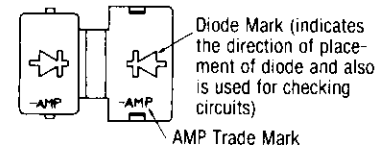
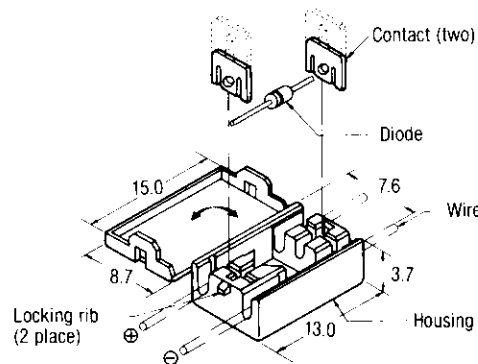
Part Number : 178037-1

Material : 66 Nylon,
UL94V-2 rated, Natural

Contact (two required)

Part Number : 175222-1

Material : Tin-plated Brass



Diode (not furnished by AMP)

Crimping Hand Tool

Part Number : 915702-1