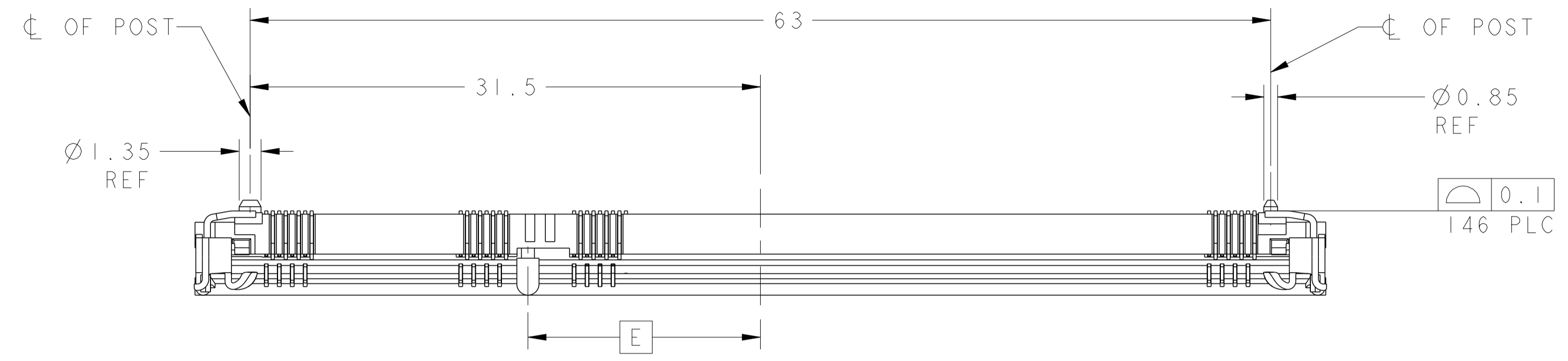
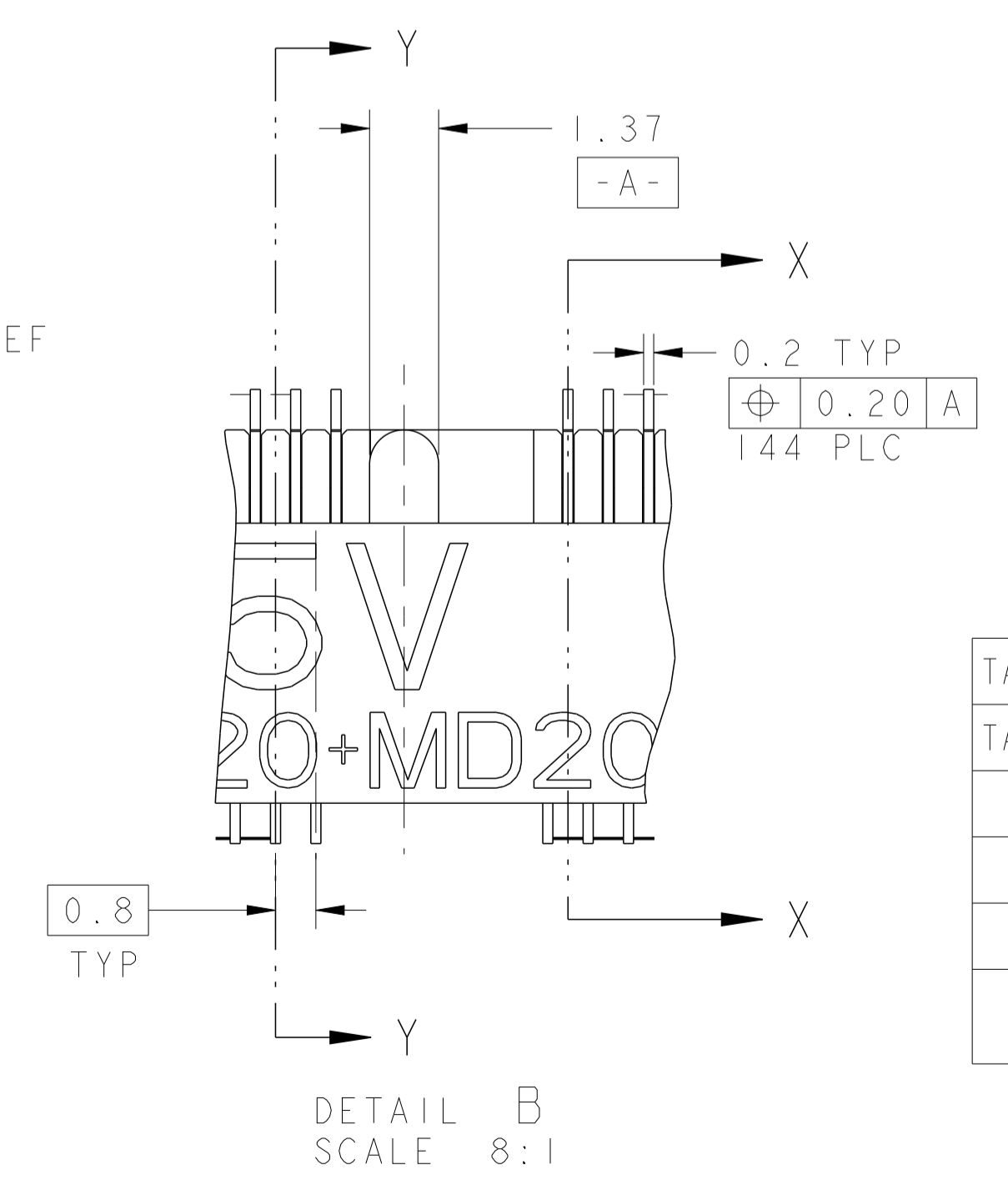
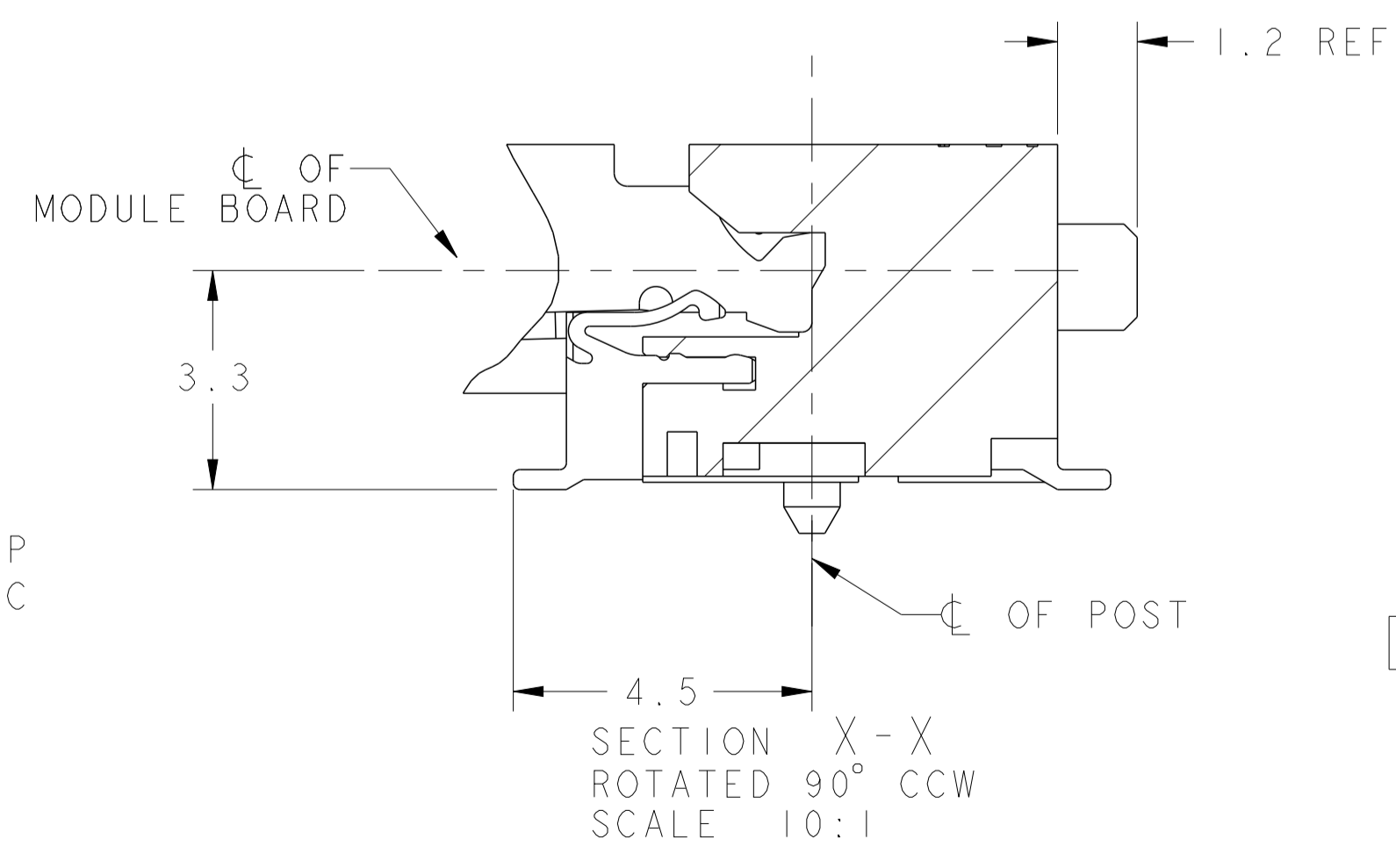
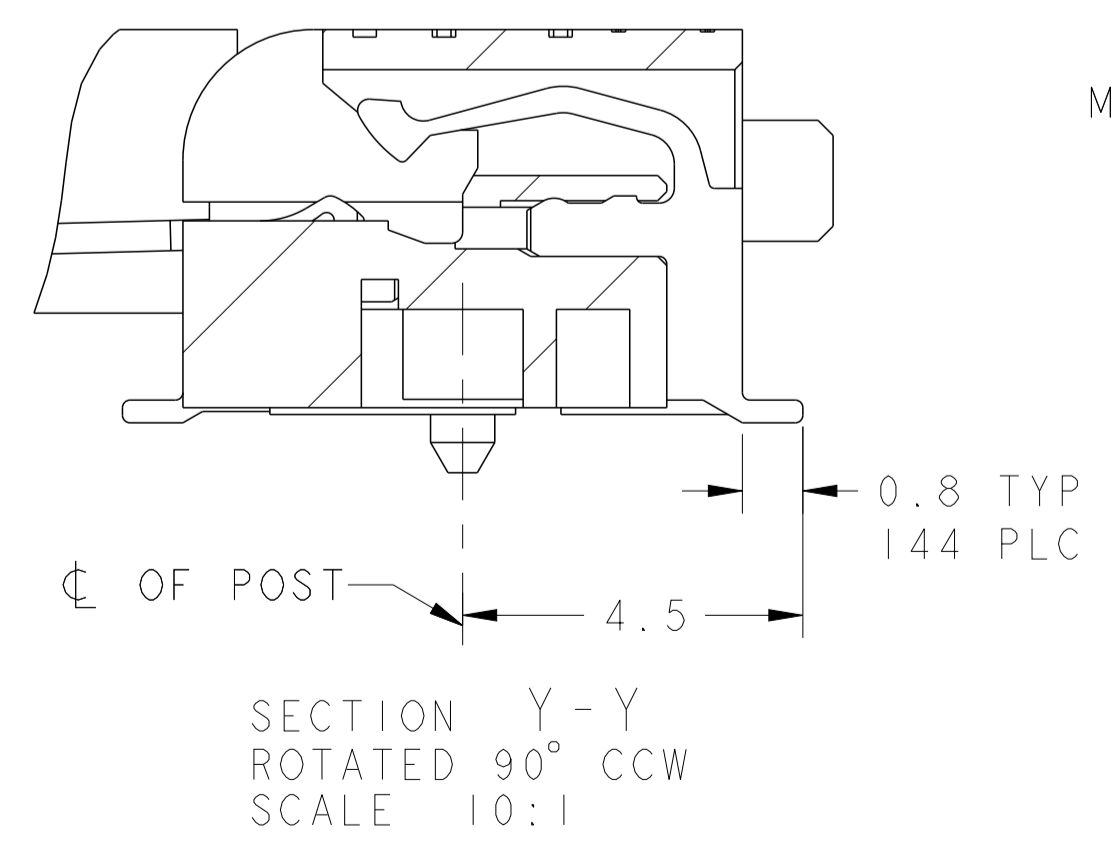
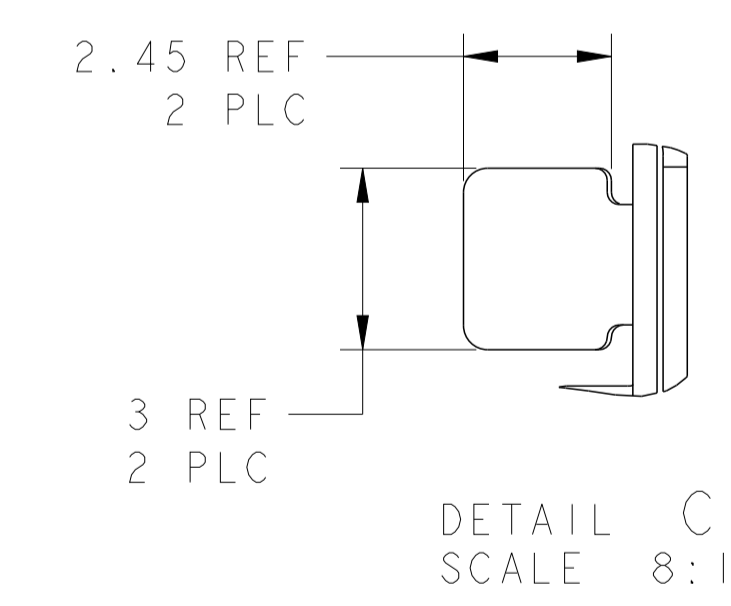
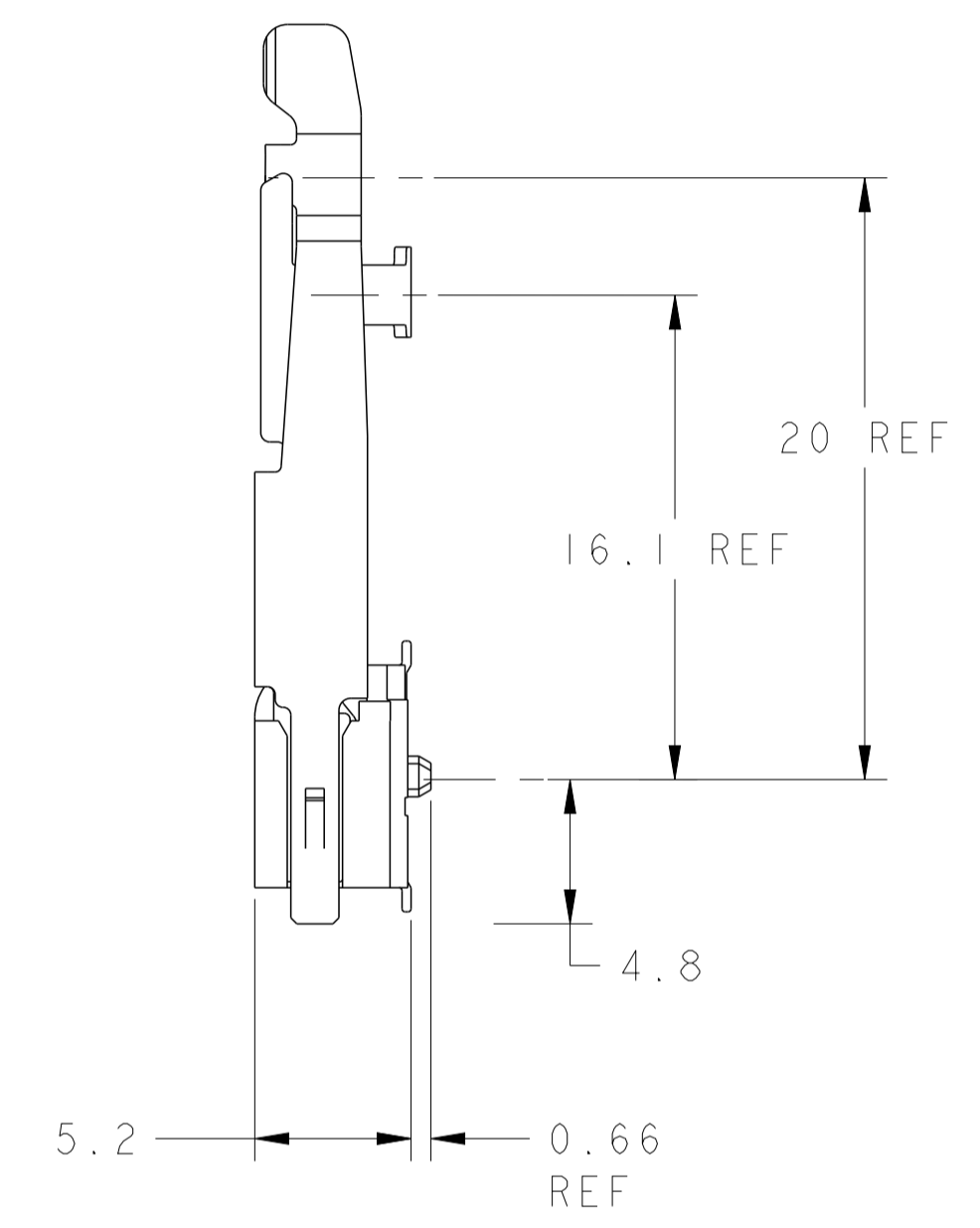
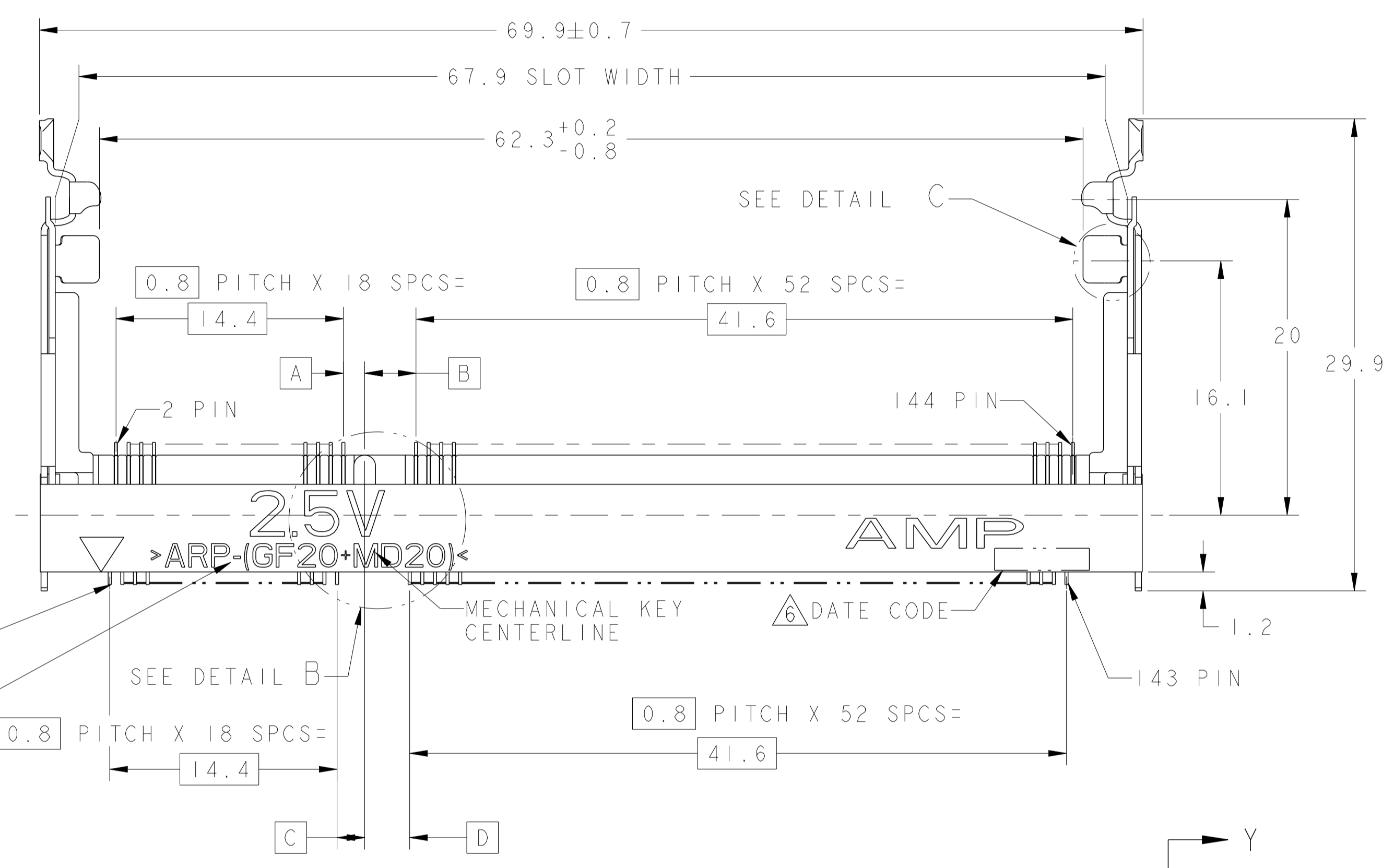


LOC	DIST	REVISIONS			
REV	DATE	DESCRIPTION	BY	CHK	APPD
A2		REVISED PER ECR-11-021344			



- 1 MATERIAL:  
 HOUSING: HIGH TEMPERATURE PLASTIC, UL94V-0, NAT.  
 CONTACT: COPPER ALLOY  
 LATCH: SUS301 STAINLESS STEEL
- 2 FINISH:  
 CONTACT AREA: 0.00025 MIN GOLD ON  
 0.001 MIN ALL OVER NICKEL  
 SOLDERING AREA: 0.00005 MIN TO 0.00030 MAX GOLD.  
 LATCH: TIN.
- 3. TOLERANCES NON-ACCUMULATIVE.
- 4 PART PACKAGED IN TAPE & REEL AS PER EIA-1S704 STANDARD.  
 REEL DIAMETER SHALL BE 330mm,  
 TAPE WIDTH SHALL BE 88mm, AND  
 TAPE PITCH SHALL BE 36mm.
- 5. COMPLIES WITH JEDEC SOCKET OUTLINE SO-008.
- 6 DATE CODE (4-DIGITS), LOCATED AS SHOWN.  
 TO BE INTERPRETED AS FOLLOWS:  
 DIGIT # 1 - LAST DIGIT OF YEAR.  
 DIGITS # 2 AND # 3 - CALENDAR WEEK.  
 DIGIT # 4 - DAY OF THE WEEK (WITH SUNDAYS AS DAY 1).



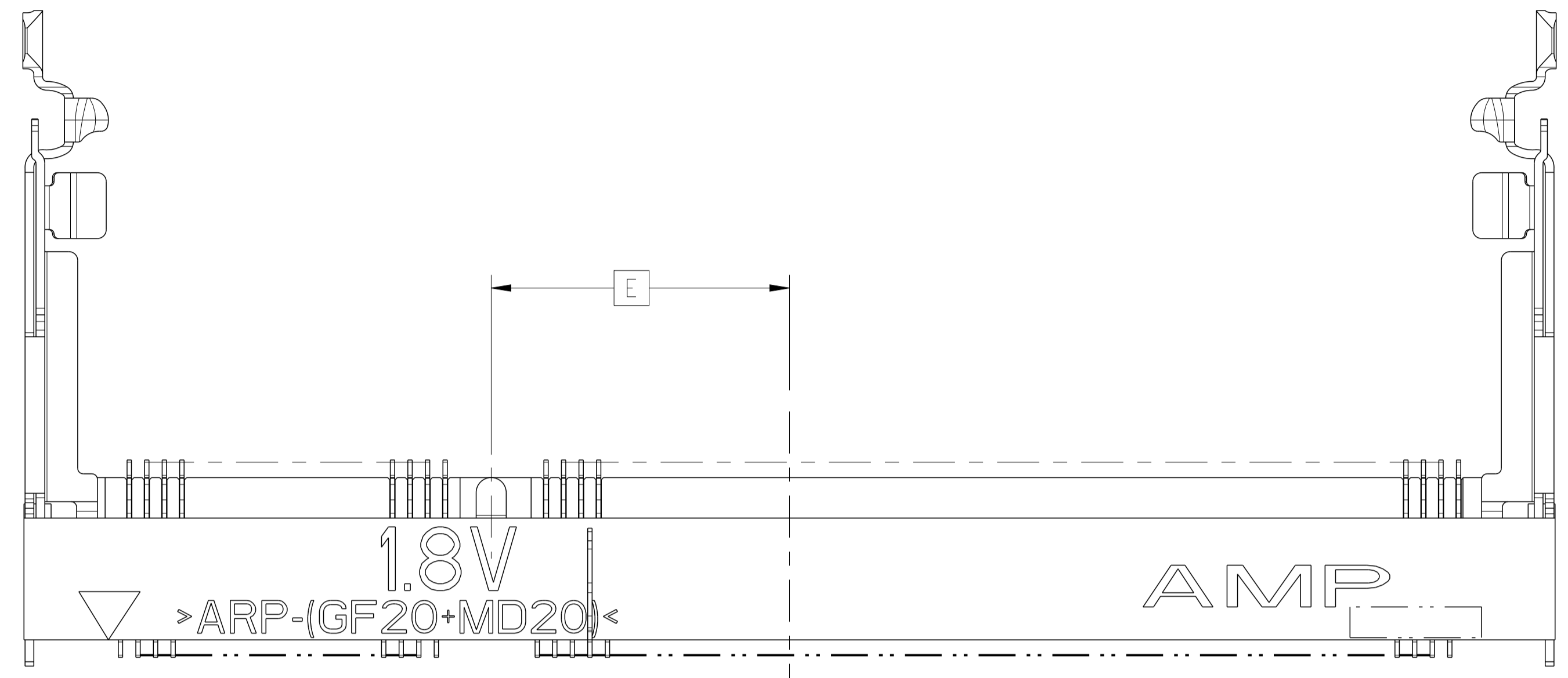
X-1735251-1 AS SHOWN

PACKAGING	DIM E	DIM D	DIM C	DIM B	DIM A	VARIATION VOLTAGE (DDR TYPE)	POS	PART NUMBER
TAPE & REEL 4	12.85	1.35	3.25	1.75	2.85	AC 1.50/1.35V (DDR3)	144	1-1735251-3
TAPE & REEL 4	13.60	2.10	2.5	2.5	2.10	AB 1.8V (DDR2)	144	1-1735251-2
SOFT TRAY	12.85	1.35	3.25	1.75	2.85	AC 1.50/1.35V (DDR3)	144	1735251-3
SOFT TRAY	13.60	2.10	2.5	2.5	2.10	AB 1.8V (DDR2)	144	1735251-2
SOFT TRAY	14.35	2.85	1.75	3.25	1.35	AA 2.5V (DDR1)	144	1735251-1

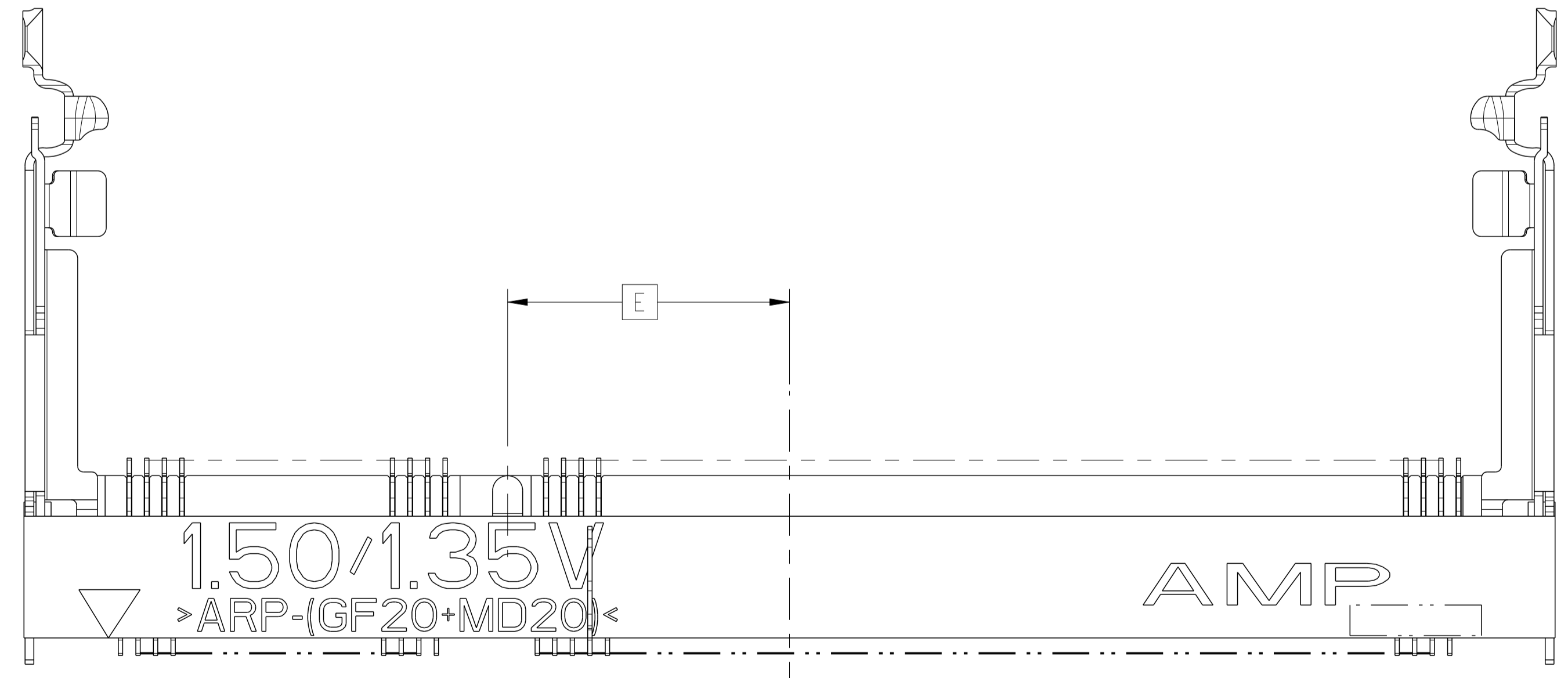
<small>THIS DRAWING IS A CONTROLLED DOCUMENT FOR AMP INCORPORATED. ALL CHANGES MUST BE APPROVED BY THE ORIGINAL DESIGNING ORGANIZATION. ANY UNAUTHORIZED CHANGES SHOULD BE CONTACTED FOR THE LATEST REVISION.</small>		DWN: NYLEE CHK: YJ SEE APD: SE LEONG PRODUCT SPEC: 108-1739 APPLICATION SPEC: 114-1114	25MAY05 NAME: S.O. DIMM SOCKET, 0.8mm PITCH, 144 POSITION, STD PROFILE SIZE: A1 CAGE CODE: 00779 DRAWING NO: 1735251 SCALE: 4:1	TE CONNECTIVITY Singapore
DIMENSIONS: mm TOLERANCES UNLESS OTHERWISE SPECIFIED: 0 PLC ±0.2 1 PLC ±0.2 2 PLC ±0.2 3 PLC ±0.2 4 PLC ±0.2 ANGLES ±°		MATERIAL: FINISH:	WEIGHT: - CUSTOMER DRAWING	SHEET 1 OF 3 REV A2

THIS DRAWING IS UNPUBLISHED. RELEASED FOR PUBLICATION .19  
 © COPYRIGHT 19 BY AMP INCORPORATED. ALL RIGHTS RESERVED.

LOC		DIST		REVISIONS			
NO	DATE	BY	CHK	DESCRIPTION	DATE	BY	CHK
1				SEE SHEET 1			



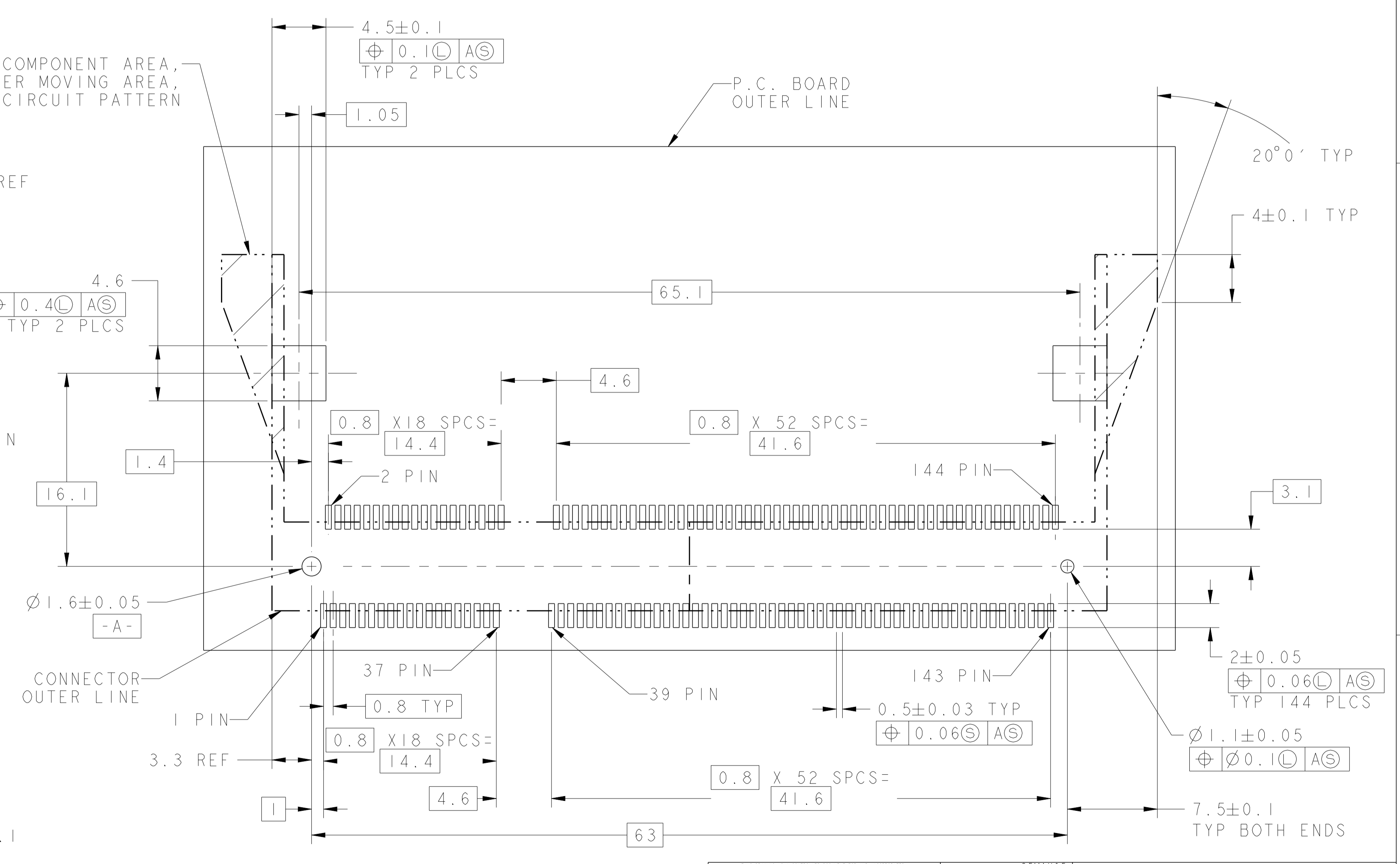
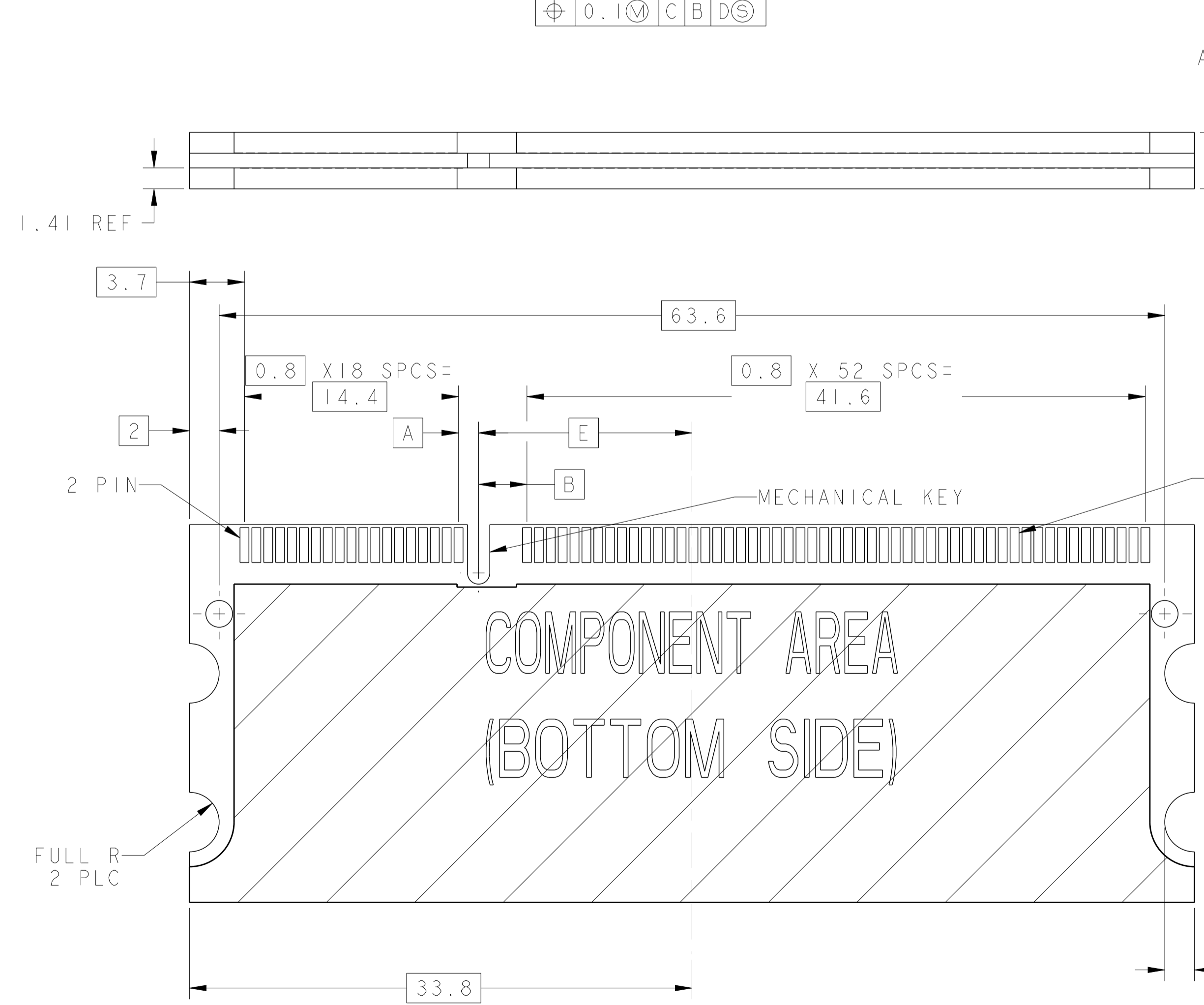
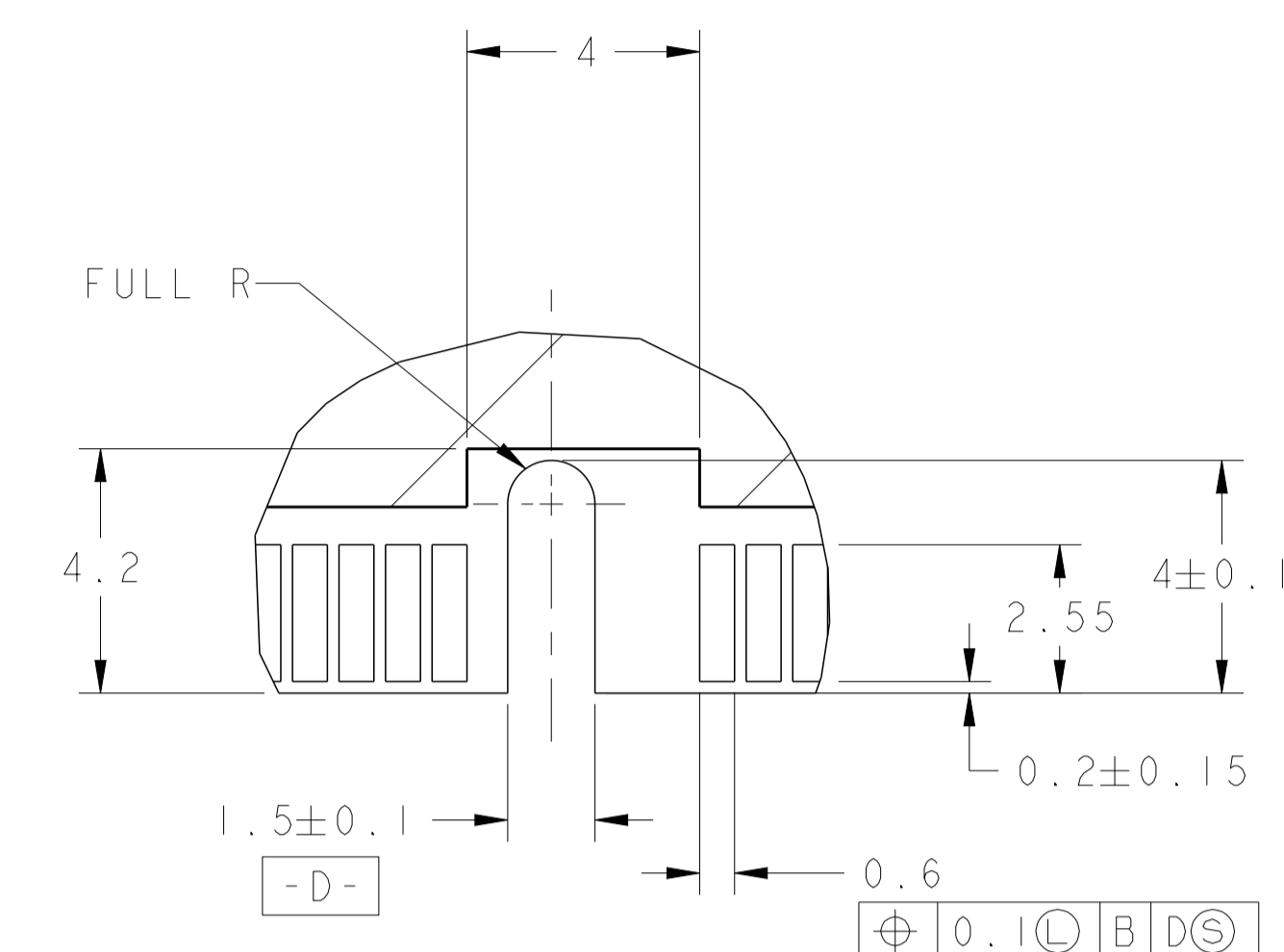
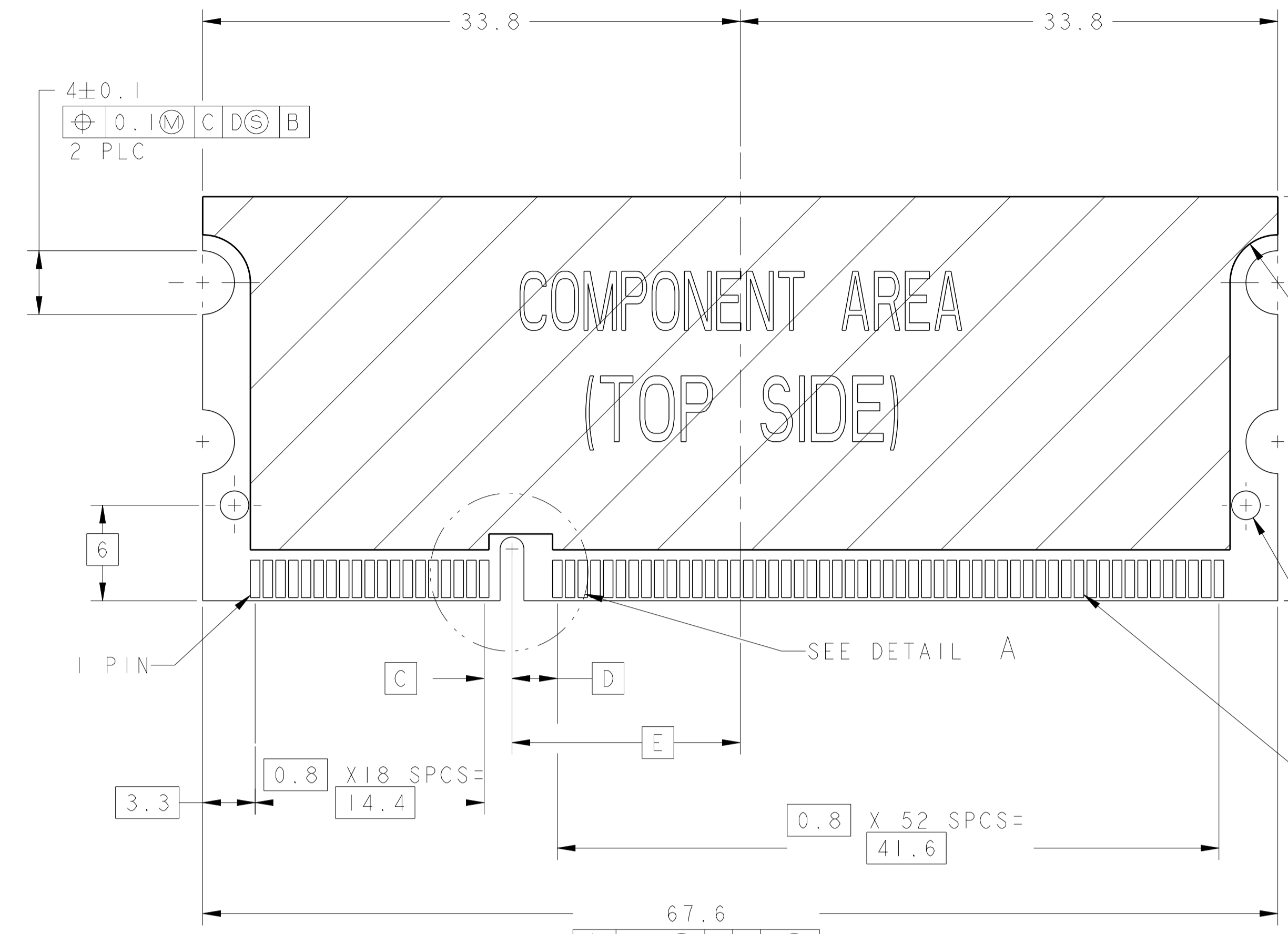
X-1735251-2 AS SHOWN



X-1735251-3 AS SHOWN

<small>THIS DRAWING IS A CONTROLLED DOCUMENT FOR AMP INCORPORATED. ALL CHANGES TO THIS DRAWING MUST BE APPROVED BY THE ORIGINAL DESIGNING ORGANIZATION. ANY CHANGES MADE BY OTHER ORGANIZATIONS SHOULD BE CONTACTED FOR THE LATEST REVISION.</small>		DWN: WYLEE CHK: Y.J. SEE	25MAT05 <b>STE</b> TE CONNECTIVITY Singapore
DIMENSIONS: mm 		TOLERANCES UNLESS OTHERWISE SPECIFIED: 0 PLC ±0.2 1 PLC ±0.2 2 PLC ±0.2 3 PLC ±0.2 4 PLC ±.2 ANGLES ±°	NAME: S.O. DIMM SOCKET, 0.8mm PITCH, 144 POSITION, STD PROFILE PRODUCT SPEC: 108-1739 APPLICATION SPEC: 114-1114
MATERIAL: FINISH		WEIGHT: - CUSTOMER DRAWING	SIZE: A1 CAGE CODE: 00779 DRAWING NO: C-1735251 SCALE: 4:1 SHEET: 2 of 3 REV: A2

LOC		DIST		REVISONS		
NO	DATE	BY	CHK	DESCRIPTION	DATE	APPD
1				SEE SHEET 1		



RECOMMENDED P.C. BOARD PATTERN LAYOUT (CONNECTOR MOUNTING SIDE)

<small>THIS DRAWING IS A CONTROLLED DOCUMENT FOR AMP INCORPORATED AND IS SUBJECT TO CHANGE. AMP, THE CONTROLLED DOCUMENTING ORGANIZATION SHOULD BE CONTACTED FOR THE LATEST REVISION.</small>		DWN: WYLEE CHK: Y.J. SEE APVD: SE LEONG PRODUCT SPEC: 108-1739 APPLICATION SPEC: 114-1114 WEIGHT: - CUSTOMER DRAWING	25MAY05 NAME: S.O. DIMM SOCKET, 0.8mm PITCH, 144 POSITION, STD PROFILE SIZE: A1 CAGE CODE: 00779 DRAWING NO: C-1735251 SCALE: 4:1 SHEET 3 of 3 REV A2	TE CONNECTIVITY Singapore
DIMENSIONS: mm 0 PLC ±0.2 1 PLC ±0.2 2 PLC ±0.2 3 PLC ±0.2 4 PLC ±0.2 ANGLES ±°	TOLERANCES UNLESS OTHERWISE SPECIFIED: 0 PLC ±0.2 1 PLC ±0.2 2 PLC ±0.2 3 PLC ±0.2 4 PLC ±0.2 ANGLES ±°	MATERIAL:	FINISH:	

# Mouser Electronics

Authorized Distributor

Click to View Pricing, Inventory, Delivery & Lifecycle Information:

[TE Connectivity:](#)

[1735251-2](#) [1735251-3](#)