



TE Connectivity

CUSTOMER DATA

PART NO.

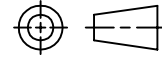
1432876-1

SHT. 1
OF 2

| | | | |
|----------------------|-----------------------|------------------------------|--------------|
| DRAWN N.TABAKOVIC | APPROVAL L.BENNETT | DATE FIRST_DRAWN 10-24-06 | SCALE 1:1 |
|----------------------|-----------------------|------------------------------|--------------|

| |
|---------------------------------------|
| CUSTOMER TYCO_ELECTRONICS_STANDARD |
|---------------------------------------|

| | | | |
|-----------|--------|---|-----|
| TOLERANCE | 0.X | = | +/- |
| UNLESS | 0.XX | = | +/- |
| SPECIFIED | 0.XXX | = | +/- |
| OTHERWISE | ANGLES | = | +/- |



DO NOT SCALE THIS DRAWING

CHANGES

| REV. | DATE | CO | APP. |
|------|-----------|---------------|------|
| B | 27APR2010 | ECR-10-008018 | B.T. |
| C | 04OCT2016 | ECR-16-014229 | B.T. |

NOT TO BE USED IN AUTOMOTIVE APPLICATIONS OR APPLICATIONS REQUIRING PPAP AND/OR IMDS DOCUMENTATION

ELECTRICAL CHARACTERISTICS: (ALL DATA APPLIES @ 23°C UNLESS OTHERWISE SPECIFIED)COIL DATA:

| | |
|--------------------|-----------------------------------|
| NOMINAL VOLTAGE: | 24 VDC |
| OPERATE VOLTAGE: | 15.6 VDC MAXIMUM |
| RELEASE VOLTAGE: | 2.4 VDC MINIMUM |
| COIL RESISTANCE: | 360 OHMS +/- 10% |
| OPERATE TIME: | 10 mSEC. MAXIMUM EXCLUDING BOUNCE |
| RELEASE TIME: | 13 mSEC. MAXIMUM EXCLUDING BOUNCE |
| TEMPERATURE RANGE: | OPERATING -40°C TO +85°C |

CONTACT DATA: (CONTACT DATA IS FORMATTED N.O./N.C.)

| | |
|-----------------------------|--|
| CONTACT ARRANGEMENT: | 1 FORM C (SPDT) |
| CONTACT MATERIAL: | AgSnO (SILVER TIN-OXIDE) |
| CONTACT MILLIVOLT DROP: | 200mv @ 35A ON N.O. CONTACTS (AFTER SWITCHING) 250mv @ 20A ON N.C. CONTACTS (AFTER SWITCHING) |
| MAXIMUM MAKE CURRENT: | 90A/30A (LAMP) @ 16 VDC |
| MAXIMUM BREAK CURRENT: | 40A/30A @ 16 VDC RESISTIVE |
| MAXIMUM CONTINUOUS CURRENT: | 40A/30A @ 23°C , 35A/20A @ 85°C |
| INITIAL BREAKDOWN CURRENT | 500V RMS CONTACTS TO COIL |

| | |
|----------------|---|
| EXPECTED LIFE: | 100,000 OPERATIONS, 40 A, 14 VDC RESISTIVE ON NORMALLY OPEN CONTACT |
|----------------|---|

MECHANICAL CHARACTERISTICS:

| | |
|----------------|--|
| EXPECTED LIFE: | 10 MILLION OPERATIONS, NO CONTACT LOAD |
| TERMINALS | BRASS, UNPLATED |



TE Connectivity

CUSTOMER DATA

PART NO.

1432876-1

SHT. 2
OF 2

DRAWN
N.TABAKOVIC

APPROVAL
L.BENNETT

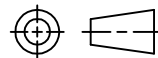
DATE FIRST_DRAWN
10-24-06

SCALE
1:1

CUSTOMER

TYCO_ELECTRONICS_STANDARD

TOLERANCE 0.X = +/-
 UNLESS 0.XX = +/-
 SPECIFIED 0.XXX = +/-
 OTHERWISE ANGLES = +/-



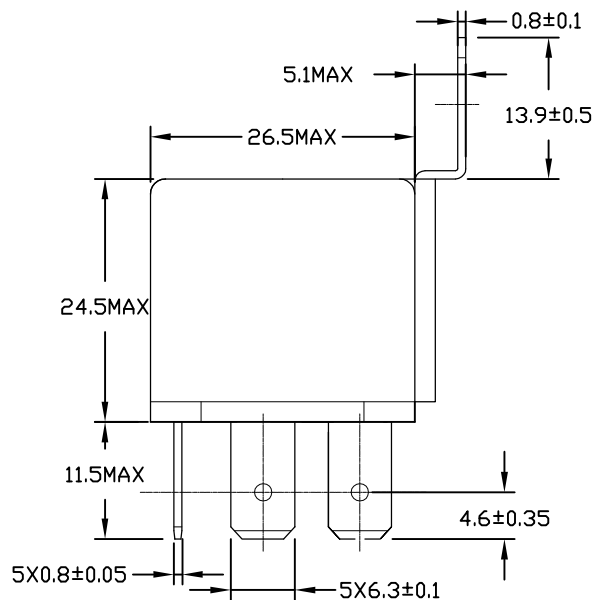
DO NOT SCALE THIS DRAWING

REV C

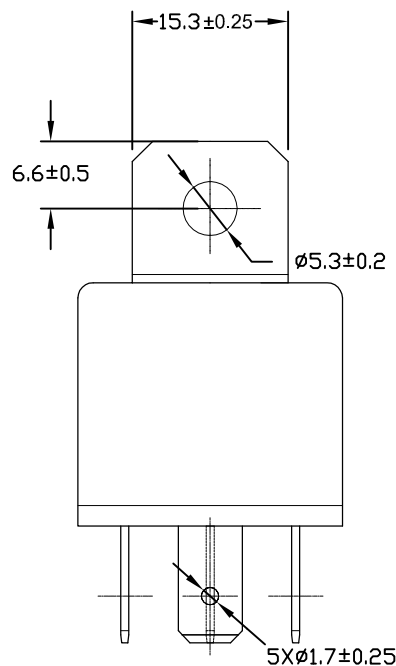
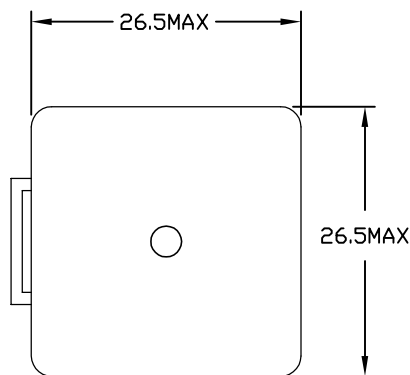
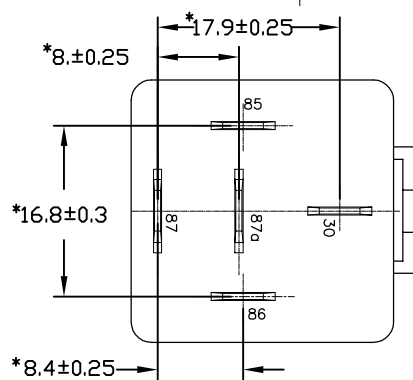
MILLIMETERS

MARKING TO INCLUDE:

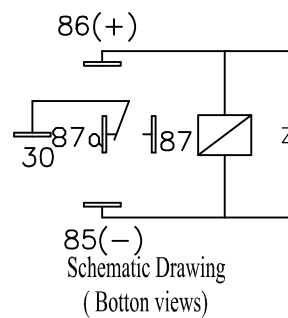
TYCO ELECTRONICS NAME, TYCO ELECTRONICS PART NUMBER, SCHEMATIC, COIL VOLTAGE, COUNTRY OF ORIGIN, AND DATE CODE



K Aspect



* TERMINAL LOCATIONS APPLY AT THE BASE OF THE TERMINALS



NOT TO BE USED IN AUTOMOTIVE APPLICATIONS OR APPLICATIONS REQUIRING PPAP AND/OR IMDS DOCUMENTATION