

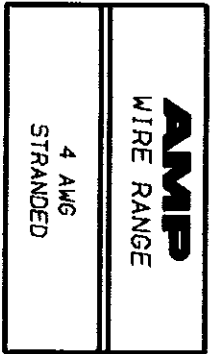
THIS DRAWING IS UNPUBLISHED. RELEASED FOR PUBLICATION  
 © COPYRIGHT 19 BY AMP INCORPORATED. ALL INTERNATIONAL RIGHTS RESERVED.

LOC 6 DIST 14

F ZONE LTR

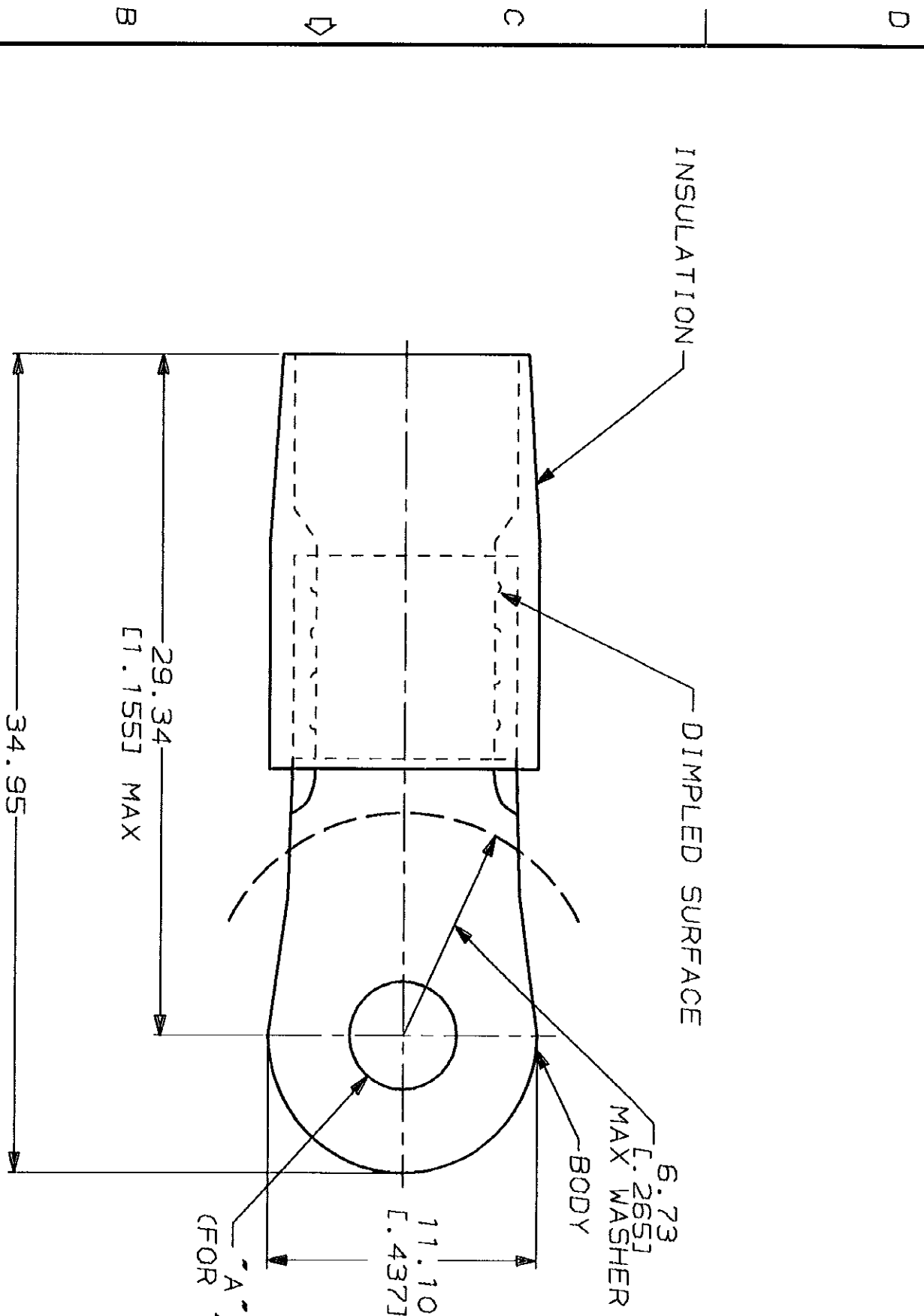
DESCRIPTION EC 0720-0279-93

REVISIONS DATE APPD 6-21-93 55 BB



**METRIC**  
 DIMENSIONS LISTED IN MM [ INCHES ]

1. TONGUE MATERIAL THK 1.22±0.08 [ 0.48±.003 ]  
 FOR 9.70 [ 0.328 ] MAX INS DIA



**AMP INCORPORATED  
 CUSTOMER SERVICE SYSTEMS**

FOR ADDITIONAL PRODUCT INFORMATION OR COPIES OF DRAWINGS AND TECHNICAL DOCUMENTS	1-800-522-6752	PRODUCT INFORMATION CENTER
FOR APPLICATION TOOLING INFORMATION	1-800-722-1111	TOOLING ASSISTANCE CENTER
FOR ORDER ENTRY	1-800-526-5142	

MAX RECOMMENDED OPERATING TEMPERATURE: 105°C  
 VOLTAGE RATING:  
 CIRCULAR MIL AREA: 19.8-26.7mm² [33, 100-52, 600] STRANDED

#10	5.00±0.08	"A"
#8	4.43±0.08	"B"

DO NOT SCALE PRINT. UNLESS SPECIFIED OTHERWISE TOLERANCES ON:  
 2 PLC DEC ± 0.20 [ 0.008 ]  
 3 PLC DEC ± ANGLES

MATERIAL COPPER PER ASTM B-152 NYLON (MIL-M-20693) TYPE 1 COLOR: YELLOW  
 FINISH TIN PLATE PER MIL-T-10727

DR 6-21-93 S.S. GOULDEN  
 CHK 6-21-93 R. HERSEY  
 APPD 6-21-93 B. BARE  
 APPD 6-21-93 M. ELLIS  
 PRODUCT SPEC

QTY

PACKAGE TYPE LOOSE PC  
 AMP INCORPORATED  
 HARRISBURG, PA 17105-3608

NAME AMP  
 TERMINAL, RING TONGUE, TERMINYL WIRE SIZE: 4 AWG

SIZE B  
 CAGE CODE 00779  
 DRAWING NO G=331456  
 SCALE NTS  
 SHEET 1 OF 1