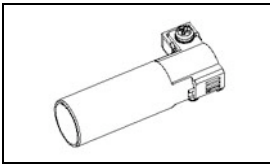


## 1103283-1 Product Details

[Share](#) [Print](#) [Email](#)



**1103283-1**

TE Internal Number: 1103283-1

Active

[View 3D PDF](#)

### HTS Connectors and Accessories

Always EU RoHS/ELV Compliant (Statement of Compliance)

#### Product Highlights:

- HVS-HN Series, HVS-TX Series
- Accessory
- Accessory Type = Shield Barrel
- Contact Configuration = Pin
- Male

[View all Features](#)

### Quick Links

- ▶ [Pricing & Availability](#)
- ▶ [Search for Tooling](#)
- ▶ [Product Feature Selector](#)
- ▶ [Contact Us About This Product](#)

[Add to My Part List](#) [Request Sample](#) [Find Similar Products](#) [Buy Product](#)

### Documentation & Additional Information

#### Product Drawings:

- [SHIELD BARREL MALE HVS-TX.HN.D.4.STI \(PDF, English\)](#)

#### Catalog Pages/Data Sheets:

- None Available

#### Product Specifications:

- None Available

#### Application Specifications:

- None Available

#### Instruction Sheets:

- None Available

#### CAD Files: [\(CAD Format & Compression Information\)](#)

- [2D Drawing \(DXF, Version A\)](#)
- [3D Model \(IGES, Version A\)](#)
- [3D Model \(STEP, Version A\)](#)

[List all Documents](#)

#### Additional Information:

- [Product Line Information](#)

#### Related Products:

- [Tooling](#)

### Product Features (Please use the Product Drawing for all design activity)

#### Product Type Features:

- Product Type = Accessory
- Accessory Type = Shield Barrel
- Gender = Male

#### Body Features:

- Material = Zinc Alloy

#### Contact Features:

- Contact Configuration = Pin
- Number of Poles = 4
- Corrosion Protected = No

#### Industry Standards:

- [RoHS/ELV Compliance](#) = RoHS compliant, ELV compliant
- [Lead Free Solder Processes](#) = Not relevant for lead free process
- [RoHS/ELV Compliance History](#) = Always was RoHS compliant

#### Packaging Features:

- Packaging Method = Loose Piece

#### Other:

- Series = HVS-HN, HVS-TX
- Brand = HTS
- Comment = Contacts sold separately.

### Corporate Information

- [About TE](#)
- [Investors](#)
- [News Room](#)
- [Supplier Portal](#)
- [Careers](#)
- [Terms & Conditions](#)
- [Privacy Policy](#)
- [AODA Accessibility Policy](#)
- [AODA 5-Year Accessibility Plan](#)

### Quick Links

- [Distributor Inventory](#)
- [Product Cross Reference](#)
- [Documents & Drawings](#)
- [Product Compliance Support Center](#)
- [Site Map](#)

### Customer Support

- [Email or Chat With Us](#)
- [Find a Phone Number](#)
- [Knowledge Base](#)
- [Manage Your Account](#)

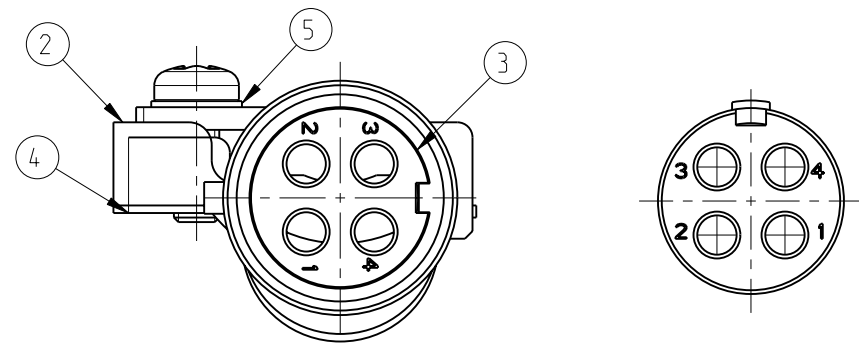
### Keep Me Informed



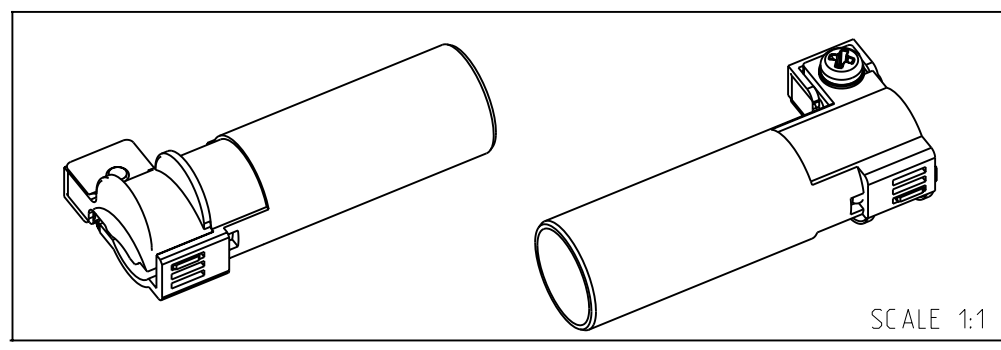
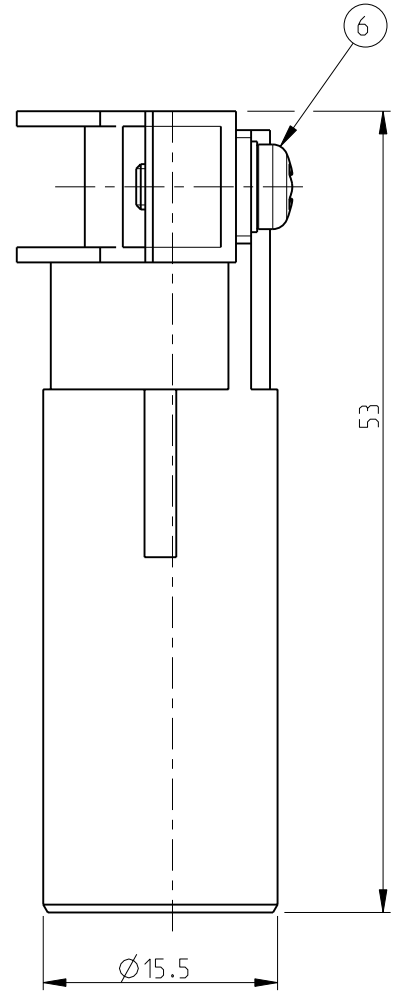
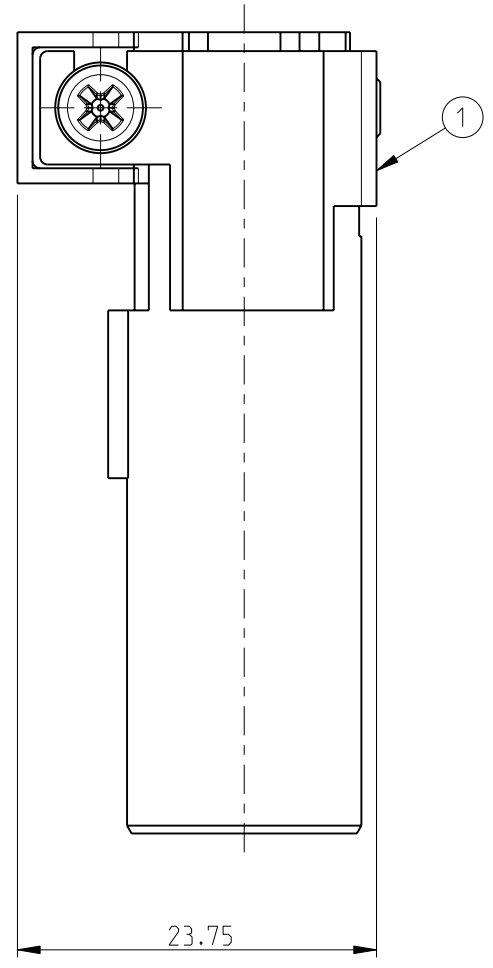
THIS DRAWING IS UNPUBLISHED. RELEASED FOR PUBLICATION 2000  
 © COPYRIGHT 2000 BY TYCO ELECTRONICS CORPORATION. ALL RIGHTS RESERVED.

LOC	DIST	REVISIONS			
P	LTR	DESCRIPTION	DATE	DWN	APVD
A1		RELEASED ASPER ECR-09-012227	29-May-09	GG	TS

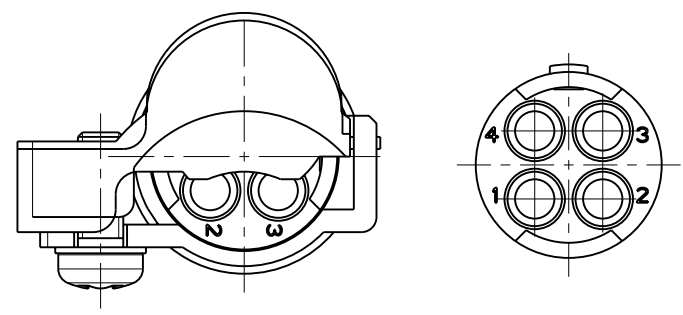
CONTACT ARRANGEMENT:  
VIEW FROM CONNECTING SIDE



- NOTES
- SUITABLE CRIMP CONTACTS: SERIES HN.D  
CUSTOMER DRAWING: 1105050  
OUTER DIMENSIONS OF INSULATION: MAX. Ø4mm
  - SUITABLE MODULE FIXING FRAME: SERIES HVS SIZE 3 TO 8  
CUSTOMER DRAWING: 1103250
  - SUITABLE INSERTION TOOL:  
CUSTOMER DRAWING: 1102855
  - SUITABLE EXTRACTION TOOL:  
CUSTOMER DRAWING: 1102855
  - STANDARDS:  
DIN EN 61984; DIN EN 60664-1
  - PACKAGING:  
10 SETS IN A CARTON, PRE-MOUNTED



CONTACT ARRANGEMENT:  
VIEW FROM TERMINATION SIDE



PN 0-1 AS SHOWN

PN 0-1	DESCRIPTION	MATERIAL	SURFACE	COLOR	NOTE	ITEM NO
1	SCREW PAN HEAD	STEEL			ISO 7045 A2	6
1	SPRING WASHER, A3	STEEL	ZINC PLATED		DIN 137	5
1	CLOSING 3-6mm	ZINC				4
1	CONTACT INSERT MALE	PA66-GF25		BLACK		3
1	CLOSING 6-9mm	ZINC				2
1	SHIELD BARREL MALE	ZINC				1

THIS DRAWING IS A CONTROLLED DOCUMENT FOR TYCO ELECTRONICS CORPORATION IT IS SUBJECT TO CHANGE AND THE CONTROLLING ENGINEERING ORGANIZATION SHOULD BE CONTACTED FOR THE LATEST REVISION.		DWN 21.02.2006 <b>SCHNEIDER</b>		Tyco Electronics AMP GmbH 53757 Sankt Augustin, Germany	
DIMENSIONS: mm		TOLERANCES UNLESS OTHERWISE SPECIFIED: ISO 8075 DIN ISO 2768 mH-E DIN 16901-120		CHK 21.02.2006 A.GAST	
		0 PLC ± 1 PLC ± 2 PLC ± 3 PLC ± 4 PLC ± ANGLES ±		APVD 21.02.2006 T.SCHNURPFILL	
MATERIAL 		FINISH 		PRODUCT SPEC 108-74086	
				NAME SHIELD BARREL MALE HVS-TX.HN.D.4.ST1	
				APPLICATION SPEC 114-74088	
				WEIGHT A3 00779 C= 1103283	
CUSTOMER DRAWING				RESTRICTED TO	
				SCALE 5:1 SHEET 1 OF 1 REV A3	