



NUMBER 911149

USED ON

P/N	1EA PER ASSEMBLY							APPLICABLE CONNECTOR		
	MINI PRESS ASSEMBLY	APPL. BASE ASSEMBLY	STUFFER WIRE INSERT	APPL. FOR 050 I/OCONN.	COMB ASSEMBLY	LABEL	I/S	CONN. NAME	CONN. P/N	NUMBER OF POSITION
③ INACTIVE 911149-1	723861-1	---	---	911182-1	911432-1	720509-1	CM-388J	AMPLIMITE 050 "A" & "B"	*-174731-* *-175707-* *-174340-* *-175705-*	96p MAX.
③ INACTIVE 911149-2	---	---	---	---	---	---	---	---	---	---
911149-3	723861-1	---	---	911182-2	911432-3	720509-1	CM-390J	CHAMP 050 (I)	*-175451-*	100p MAX.
③ INACTIVE 911149-4	723861-1	---	---	911182-3	9111432-4	720509-1	IS-443J	AMPLIMITE 050 "A" & "B" CHAMP 050 (II)	*-174731-* *-175707-* *-174340-* *-175705-* *-175677-* *-175750-*	100p MAX.
911149-5	723861-1	---	---	911182-3	911432-5	720509-1	IS-536J	AMPLIMITE 050 "B" MOLD TYPE	*-175714-*	100p MAX.
911149-6	723861-1	915721-1	911413-2	---	911432-6	720509-1	IS-547J	AMPLIMITE 050 "A" & "B" CHAMP 050 (II) CHAMP 050 (II) S/L	*-174731-* *-175707-* *-174340-* *-175705-* *-175677-* *-175750-* *-178368-*	68p MAX.
911149-7	723861-1	915721-1	911413-3	---	911432-7	720509-1	IS-547J	CHAMP 050 (I) (NEW TYPE)	*- - *	120p MAX.
③ 911149-8	723861-1	915721-1	911413 - 2	---	911432 - 8	720509-1		CHAMP 050 (III)	*-557025 - *	68p MAX
③ 911149-9	723861-1	915721-1	911413 - 3	---	911432 - 9	720509-1				120p MAX

THIS INFORMATION IS CONFIDENTIAL AND IS DISCLOSED TO YOU ON CONDITION THAT NO FURTHER DISCLOSURE IS MADE BY YOU TO OTHER THAN AMP PERSONNEL WITH OUT WRITTEN AUTHORIZATION FROM AMP (JAPAN) LTD. DIMENSION IN MILLIMETERS DO NOT SCALE PRINT

PRINT DIST

REVISION RECORD		REVISION RECORD		DESCRIPTION		DWG SIZE		NUMBER		NAME		ITEM NO.	
LTR	DATE	ECN	DATE	LTR	DATE	ECN	DATE	UNLESS OTHERWISE SPECIFIED		AMP (JAPAN), LTD. Tokyo, Japan		REV NO.	
								1 OCT 90		S. SUZUKI		911149	
								25 DEC 90		J B		1 OF 3	
								16 APR 91					
								SCALE		MINI PRESS FOR 050 I/O CONN.			

D. ADDED - 8. - 9 J-0648 SS
 E. INACTIVE - 4 J-1172 SS
 C. REDRAWN WITH CHANGE J-1172 S.S.

REQUIRED PER ASSEMBLY

SEE ABOVE

DESCRIPTION

DR 1 OCT 90
 OK S. SUZUKI
 TERMINAL TYPE FIRST USED
 SCALE NAME
 MINI PRESS FOR 050 I/O CONN.

NUMBER 911149

USED ON

THIS INFORMATION IS CONFIDENTIAL AND IS DISCLOSED TO YOU IN CONDITION THAT NO FURTHER DISCLOSURE IS MADE BY YOU TO OTHER THAN AMP PERSONNEL WITH OUT WRITTEN AUTHORIZATION FROM AMP (JAPAN) LTD. DIMENSION IN MILLIMETERS DO NOT SCALE PRINT

P/N	APPLICABLE CABLE		APPL. SPEC	PROD. SPEC	
	CABLE SIZE	No. OF CABLE			
① INACTIVE 911149-1	JACKET CABLE	96 WIRE	114-5124	108-5238	
② INACTIVE 911149-2		—	—	—	
911149-3		AWG #28 #30	100 WIRE	114-5127	108-5278
③ INACTIVE 911149-4		WIRE OD 0.5-0.88	100 WIRE	114-5124	108-5288
				114-5136	108-5290
911149-5		JACKET OD 5-13		114-5124	108-5238
911149-6			68 WIRE	114-5124 114-5136	108-5238
911149-7			120 WIRE	114-5144 114-88	108-5288 108-88
④ 911149-8			68 WIRE		
⑤ 911149-9		120 WIRE			

PRINT DIST					
LTR	REVISION RECORD	ECH	DATE	LTR	REVISION RECORD
	SEE SHEET 1				SEE SHEET 1

REQUIRED PER ASSEMBLY	DWG SIZE	NUMBER	NAME	ITEM NO.
SEE SHEET 1				
	UNLESS OTHERWISE SPECIFIED			
	OR 1 OCT 90	APP 35-82490		
	OR S. SUZUKI	REL. 11/2 APR 91		
	TERMINAL	TYPE	FIRST USED	
	SCALE	NAME		
		MINI PRESS FOR 050 I/O CONN.		
				2 OF 3

AMP | AMP (JAPAN), LTD.
Tokyo, Japan

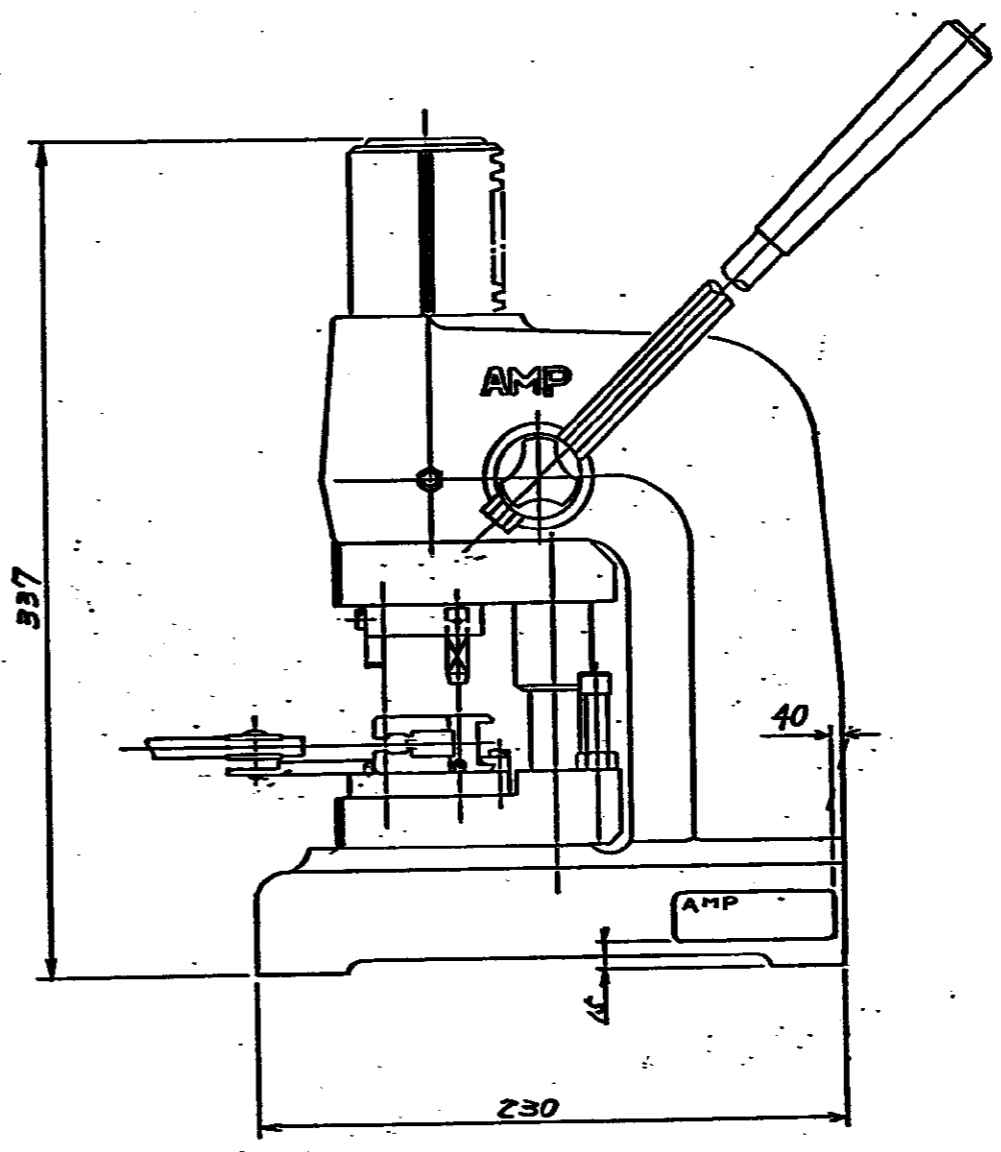
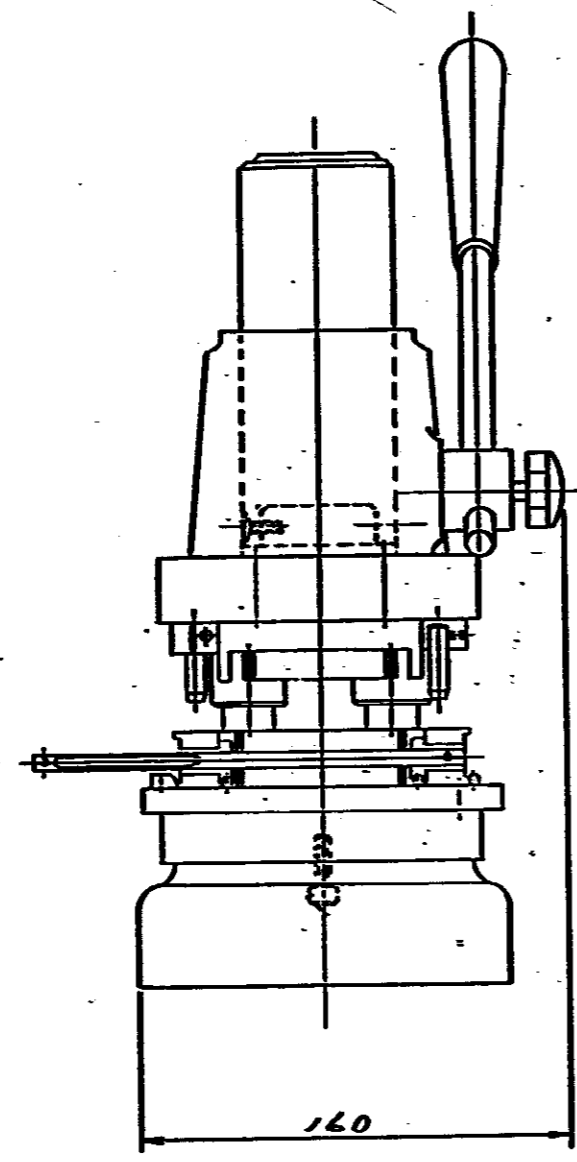
LOC **J B** NO. **911149** REV **D**

D
B
C
A

NUMBER 911149

USED ON

THIS INFORMATION IS CONFIDENTIAL AND IS DISCLOSED TO YOU ON CONDITION THAT NO FURTHER DISCLOSURE IS MADE BY YOU TO OTHER THAN AMP PERSONNEL WITHOUT WRITTEN AUTHORIZATION FROM AMP JAPAN LTD. DIMENSIONS IN MILLIMETERS. DO NOT SCALE PRINT



REVISION RECORD		REVISION RECORD	
LTR	DATE	LTR	DATE
SEE SHEET 1			

SEE SHEET 1	DWG SIZE: _____ NUMBER: _____ NAME: _____ ITEM NO: _____
	REQUIRED PER ASSEMBLY: _____ UNLESS REMOVE BURRS, BREAK SHARP EDGES 0.4R MAX. OTHERWISE ANGLES: ±0°30' DECIMALS: 0.0=±0.5 SPECIFIED 0.00=±0.13 0.000=±0.013
	DR. 16 OCT 90 APP. <i>[Signature]</i> 25 DEC 91 CHK. S. Sugi <i>[Signature]</i> REL. <i>[Signature]</i> 10 APR 91
	TERMINAL: _____ TYPE: _____ FIRST USED: _____ SCALE: _____ NAME: _____
MINI PRESS FOR 050 I/O CONN. 3/3	

AMP | AMP (JAPAN), LTD.
Tokyo, Japan

LOC **J B** NO. **911149** REV. **D**