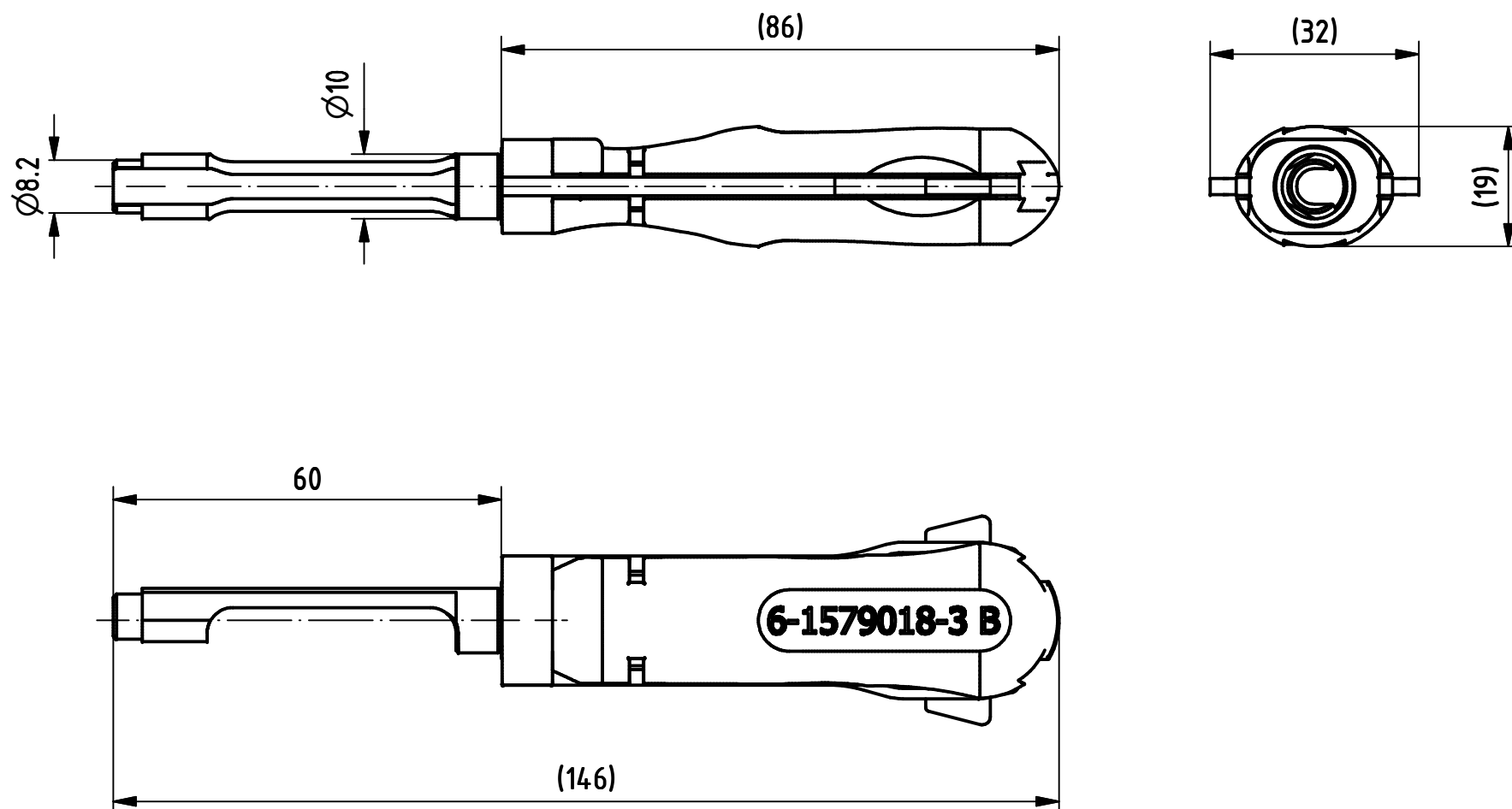
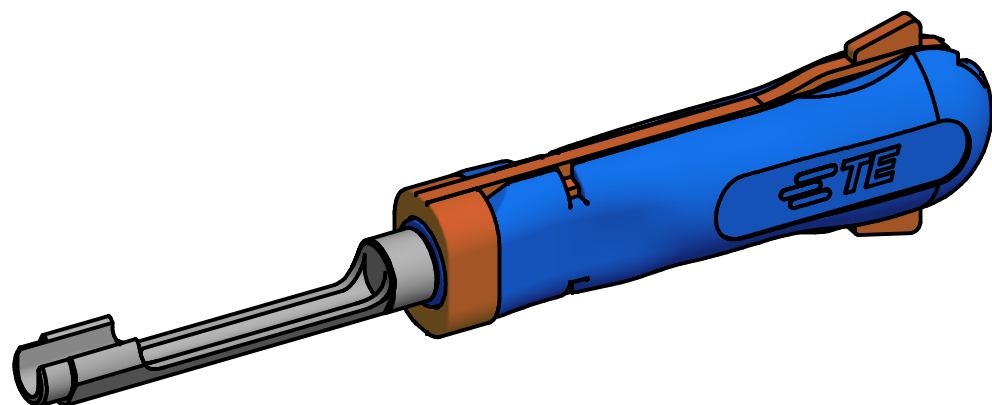


LOC AI  
DIST 00

REVISIONS

P	LTR	DESCRIPTION	DATE	DWN	APVD
	B1	ECR-17-010633	25 JUL 17	KH	BM


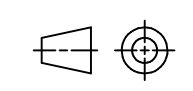


**APPLICATION RANGE/ Anwendungsbereich:**

Tab Contact with Single Wire Sealing System:  
962905; 962906; 962907 962917; 962918 and 962919

Tab Contact with Modified Spring and  
Single Wire Sealing System:  
964310; 964312 and 964314

**FOR SPT- CONTACT WITH SINLGE WIRE SEALING**

THIS DRAWING IS A CONTROLLED DOCUMENT.		DWN L. Sandhu 29SEP09	 TE Connectivity				
		CHK G. Stegmayer 15 JUL 10					
		APVD G. Stegmayer 15 JUL 10	NAME INSERTION TOOL Eindrueckwerkzeug				
DIMENSIONS: mm  		TOLERANCES UNLESS OTHERWISE SPECIFIED: 0 PLC ± 1 PLC ± 2 PLC ± 3 PLC ± 4 PLC ± ANGLES ±	PRODUCT SPEC  APPLICATION SPEC				
MATERIAL		FINISH	SIZE A3	CAGE CODE 00779	DRAWING NO G= 6-1579018-3	RESTRICTED TO	
Gewicht / Weight in Kg 0.039 kg			CUSTOMER DRAWING		SCALE	SHEET 1 OF 1	REV B1