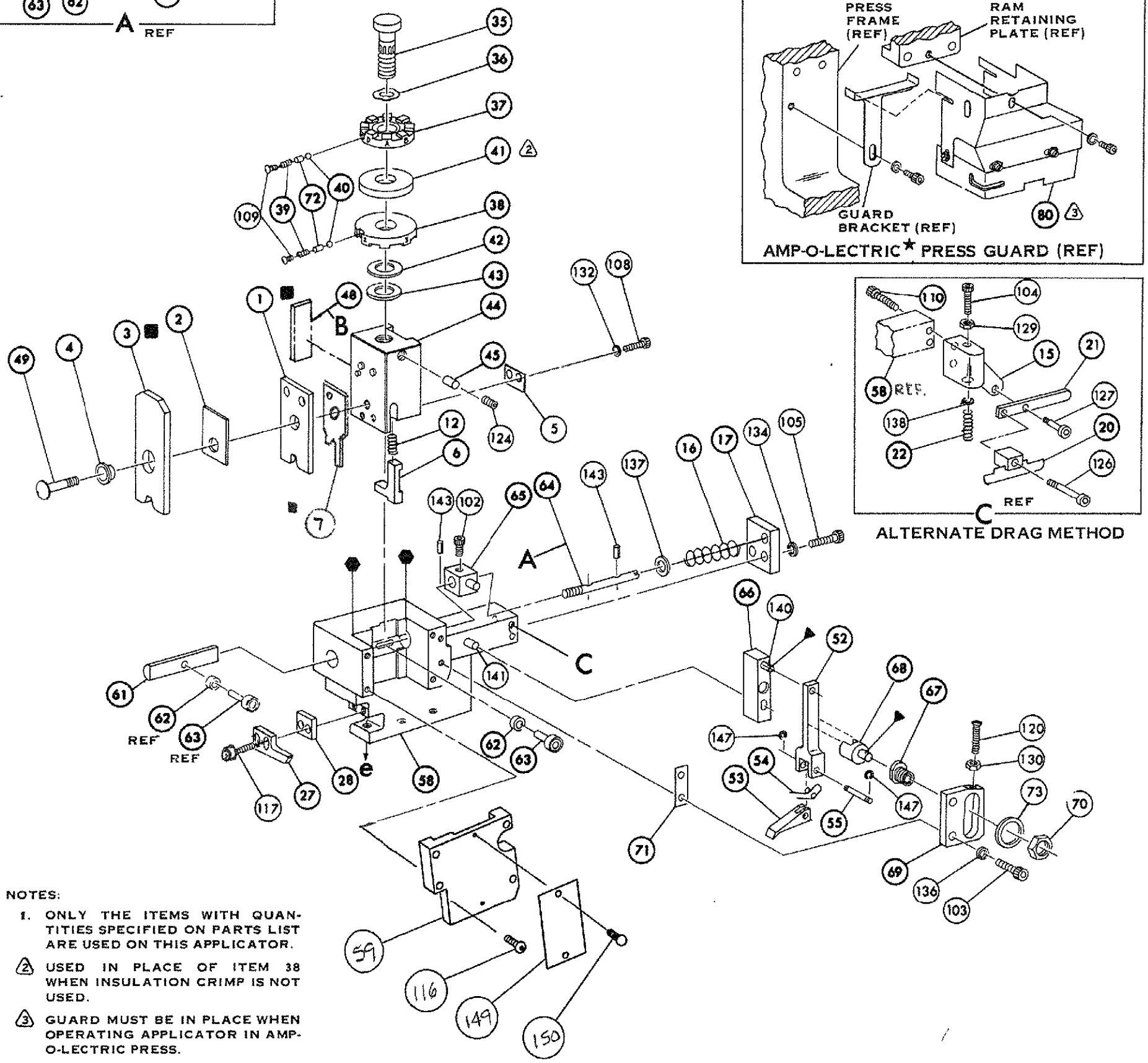
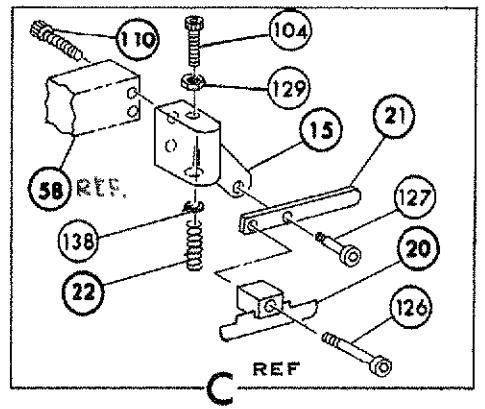
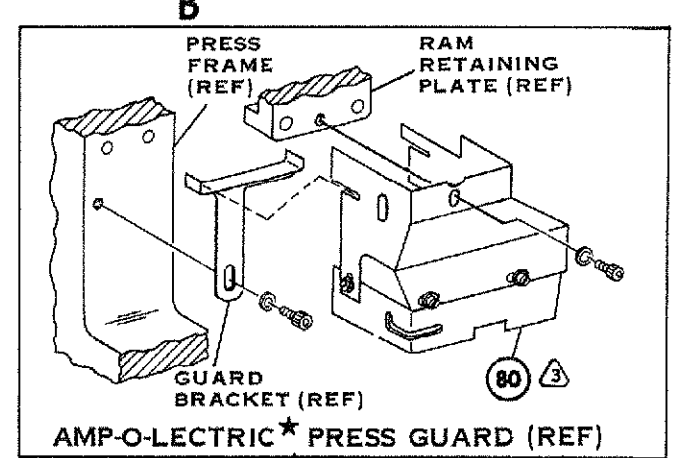
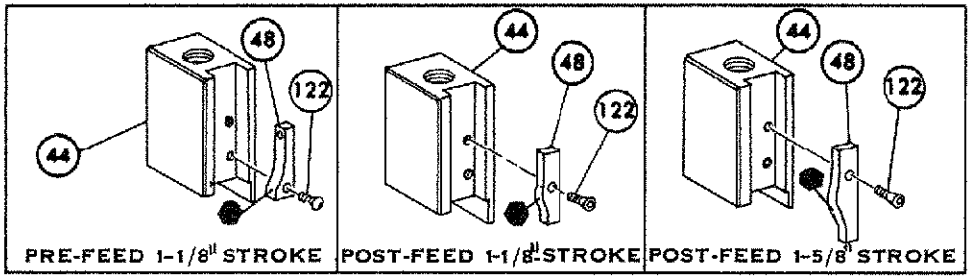
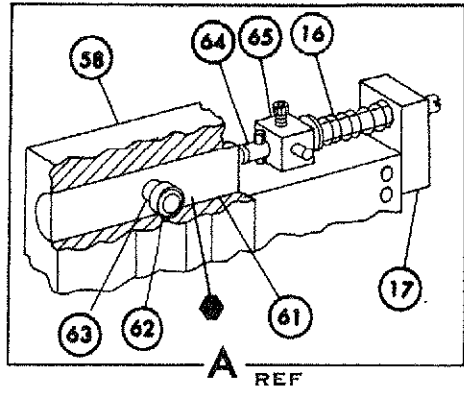


THIS DRAWING IS A CONTROLLED DOCUMENT.

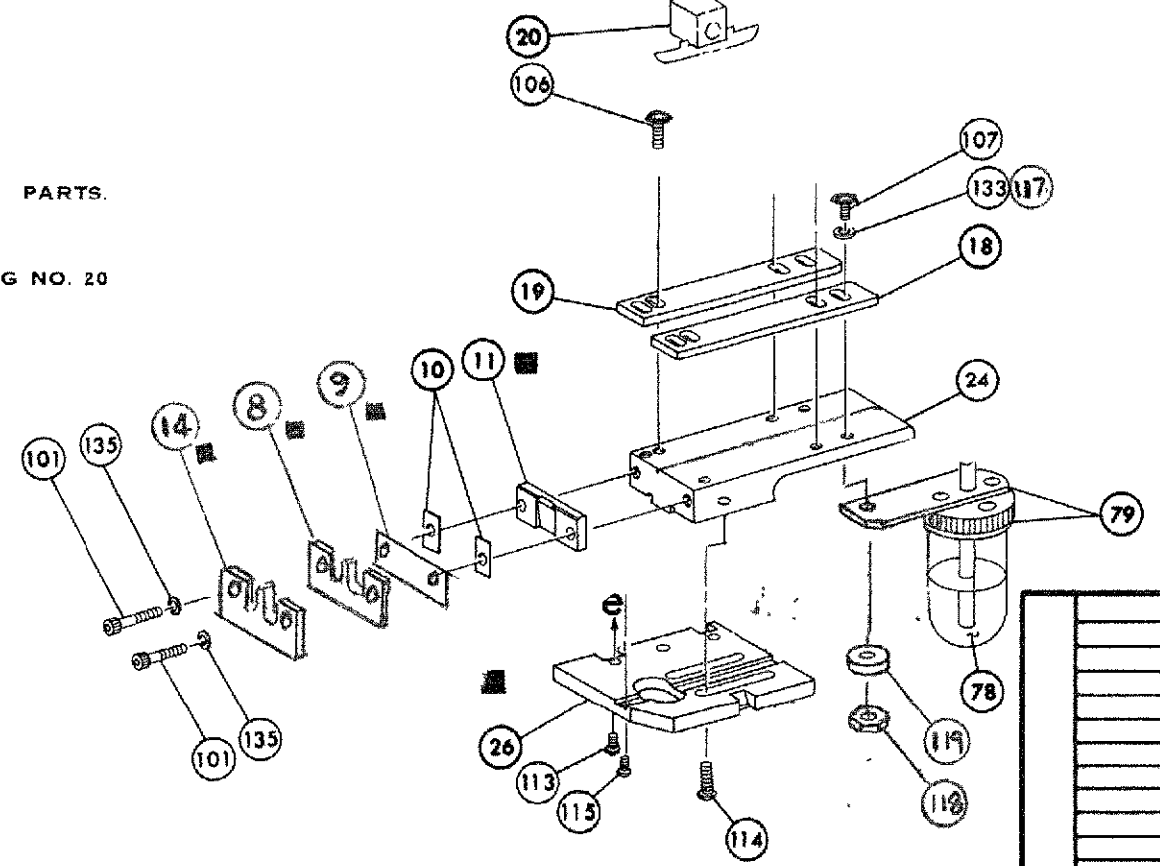


**NOTES:**

- ONLY THE ITEMS WITH QUANTITIES SPECIFIED ON PARTS LIST ARE USED ON THIS APPLICATOR.
- USED IN PLACE OF ITEM 38 WHEN INSULATION CRIMP IS NOT USED.
- GUARD MUST BE IN PLACE WHEN OPERATING APPLICATOR IN AMP-O-LECTRIC PRESS.

**KEY:**

- RECOMMENDED SPARE PARTS.
- LUBRICATE DAILY USING NO. 20 MACHINE OIL.
- GREASE LIGHTLY.



REQ.	PART NO.	DESCRIPTION	NO.	REQ.	PART NO.	DESCRIPTION	NO.
	162		1	690517-1	SPACER	71	
	161		1	22594-8	HEX. NUT	70	
	160		1	240628-1	PLATE, ADJ	69	
	159		1	240626-1	SHAFT, PIVOT	68	
	158		1	240633-1	BUSHING	67	
	157		1	455680-1	LEVER, INTERMEDIATE	66	
	156		1	240629-1	BLOCK, PIVOT	65	
	155		1	240632-2	SCREW, ADJ	64	
	154		1	240659-3	PIN, CAM ROLLER	63	
	153		1	240658-1	CAM, ROLLER	62	
	152		1	454398-1	ROD, FEED	61	
	151					60	
	150		1	454220-1	CAP. RAM	59	
	149		1	453736-2	HOUSING	58	
	148					57	
	147					56	
	146		1	240624-1	PIN, FEED FINGER	55	
	145		1	691499-1	SPRING, FEED FINGER	54	
	144		1	1-690584-4	FINGER, FEED	53	
	143		1	240634-1	LEVER, TERMINAL	52	
	142					51	
	141					50	
	140		1	7-21002-9	BOLT, CRIMPER	49	
	139		1	690602-5	CAM, PRE-FEED 1-1/8 STROKE	48	
	138					47	
	137					46	
	136		1	690191-1	PLUG, NYLON	45	
	135		1	455674-3	RAM	44	
	134		1	690125-1	WASHER, LAMINATED	43	
	133		1	690124-4	WASHER, RAM	42	
	132					41	
	131		2	23241-6	BALL, STEEL	40	
	130		2	690170-1	SPRING, COMPRESSION	39	
	129		1	690142-1	DISC, INSULATION	38	
	128		1	3-690141-2	DISC, WIRE	37	
	127		1	22480-5	WASHER, SPRING	36	
	126					35	
	125					34	
	124					33	
	123					32	
	122					31	
	121					30	
	120					29	
	119		1	3-690451-3	SPACER, STRIPPER	28	
	118		1	690455-1	STRIPPER	27	
	117		1	459717-1	PLATE, BASE	26	
	116		1		DRAG, STUD	25	
	115		1	460331-2	PLATE, STRIP GUIDE	24	
	114		1		PLATE, STRIP HOLD	23	
	113		1	7-22282-5	SPRING, DRAG	22	
	112		1	240636-1	LEVER, DRAG	21	
	111		1	1-240696-1	DRAG, STOCK SKATE	20	
	110		1	460328-2	GUIDE, STRIP REAR	19	
	109		1	1-454204-2	GUIDE, STRIP FRONT	18	
	108		1	454178-1	GUIDE, FEED ROD	17	
	107		1	4-22284-9	SPRING, FEED RETURN	16	
	106		1	454665-4	ADAPTOR, DRAG	15	
	105		1	693192-1	ANVIL-INSULATION	14	
	104				SPACER, HOLD DOWN	13	
	103				SPRING, HOLD DOWN	12	
	102		1	460329-1	PLATE, REAR SHEAR	11	
	101		2	4240645-0	SPACER, SHEAR PLATE	10	
	80		1	690619-6	PLATE, SPACER-ANVIL	9	
	79		1	1-690618-8	ANVIL-WIRE	8	
	78		1	460330-1	BLADE, SLUG	7	
	77				HOLD DOWN	6	
	76				SPACER, SHEAR BLADE	5	
	75		1	2380098	SPACER, TUBULAR, INS CRIMPER	4	
	74		1	460773-1	CRIMPER, INSULATION	3	
	73		1	455888-6	SPACER, INSULATION	2	
	72		1	459736-2	CRIMPER, WIRE	1	

TERM APPL SPEC 114-2082

CRIMPING DATA				THIS APPLICATOR WILL APPLY LH
PAD LETTER	CRIMP HEIGHT	WIRE SIZE	WIRE STRIP LENGTH	61350-1
A	.056	16		61350-2
B	.049	18		
C	.045	20		
D	NOT USED			
CRIMP SIZE	TYPE	FEED	PRESS REF.	
WIRE	.090 F	.535	565435-5	
INSULATION	.140 F			
INSULATION RANGE	WIRE RANGE	APPLICATOR INSTRUCTION #		
.090-.130	20-16	8039		
REMARKS	AMP-O-LECTRIC PRE-FEED			61958-1

REV	DATE	BY	DESCRIPTION
N	ECN 0150-0919-04		
M	ECN 0150-1615-02		
L	ECN 0150-4607-95		
K	ECN 0150-4376-93		
J	ECN A-404997		
I	ECN A-391892		
H	ECN A-324341		
G	ECN A164268		
F	REV PER R-4989		
E	REV PER ECN		
D	REV PER ECN		
C	REV PER ECN		
B	REV PER ECN		
A	REV PER ECN		

SET UP GAGE 458638-1 LAYOUT NO. HD 690

DRAWN 12-20-73 APPROVED 5-1-74 Ken Bennett

CHECKED 5-1-74 REL. 5/1/74

SCALE NONE

NAME H.D. MINIATURE QUICK CHANGE APPLICATOR END-FEED (.187 SERIES PIGGY-BACK FLAG FASTON)

LOC A C NO. 466026-2 REV. N

AMP INCORPORATED HARRISBURG, PENNA.