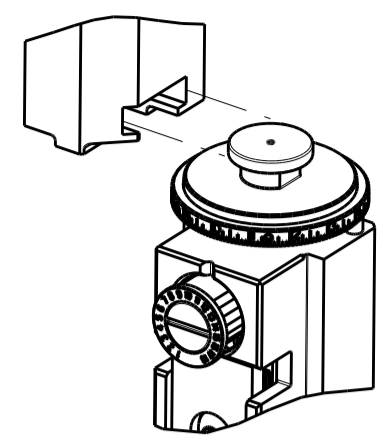


PART NUMBER	REVISION	DESCRIPTION	FEED TYPE
2266258-1	F	FINE CRIMP HEIGHT ADJUST	MECHANICAL
2266258-2	F	FINE CRIMP HEIGHT ADJUST	PNEUMATIC
5-2266258-1	F	SEAL STRIPPER CRIMPER TERMINATING UNIT	MECHANICAL
5-2266258-2	F	SEAL STRIPPER CRIMPER TERMINATING UNIT	PNEUMATIC
7-2266258-1	F	MECHANICAL AND CRIMP TOOLING KIT	MECHANICAL
7-2266258-2	F	PNEUMATIC AND CRIMP TOOLING KIT	PNEUMATIC
7-2266258-7	A	CRIMP TOOLING KIT	-

ATLANTIC VERSION TERMINATOR INTERFACE ADAPTER



APPLICATOR DATA		
CRIMP	SIZE	TYPE
WIRE	2.39 mm [.094]	F
INSUL	4.09 mm [.161]	O

APPLICATOR INSTRUCTIONS
408-35042

TERMINAL DATA: DELPHI TERMINAL DELPHI CRIMP SPECIFICATION	
TERMINAL NAME: 150 MALE TERM	
WIRE STRIP LENGTH	TERMINAL INSULATION DIAMETER RANGE
5.16-5.94 mm [.203-.234 IN]	Ø1.69-2.78 mm [.067-.109 IN]
TERMINAL APPLICATION SPECIFICATION	DELPHI

TERMINALS APPLIED				
TE TERMINAL	DELPHI TERMINAL	TE SEAL	DELPHI SEAL	SEAL INSULATION DIAMETER RANGE
2113458-1	12045773	1572277-2	15324974	1.2-1.7 mm
2113458-2	SCNK757473.040.01	1572194-3	12052924	2.0-2.9 mm
2113458-5	12177150	1949406-1	15324976	1.6-2.2 mm

WIRE SIZE	CRIMP HEIGHT mm [INCH]	CRIMP HEIGHT REFERENCE SETTING
1.50mm2	1.50+/-0.05 [.059+/- .002]	4.7
1.00mm2	1.35+/-0.05 [.053+/- .002]	6.2
0.75mm2	1.30+/-0.05 [.051+/- .002]	6.7
0.50mm2	1.25+/-0.05 [.049+/- .002]	7.3

WIRE SIZE	CRIMP HEIGHT mm [INCH]	CRIMP HEIGHT REFERENCE SETTING
1.00mm2	1.40+/-0.05 [.055+/- .002]	5.7
0.80mm2	1.30+/-0.05 [.051+/- .002]	6.7
0.50mm2	1.25+/-0.05 [.049+/- .002]	7.3

- 1 RECOMMENDED SPARE PARTS
- 2 REFER TO SUPPLIED INSTRUCTION SHEET FOR CLEANING, LUBRICATION AND STORAGE OF APPLICATOR.
- 3 APPLY PART NUMBER 1-23419-5 LOCTITE TO THREADS OF ITEMS 180. APPLY PART NUMBER 2-23419-6 LOCTITE TO THREADS OF ITEM 242.
- 4 CRIMP HEIGHT REFERENCE SETTING WAS THE SETTING USED WHEN THE APPLICATOR WAS QUALIFIED AT THE FACTORY. ADJUSTMENT MAY BE NECESSARY WHEN RUNNING APPLICATOR IN THE FIELD.
- 5 APPLY TORQ-SEAL IN ALLEN SOCKET TO FILL HOLE AFTER FLAT HD HAS BEEN ADJUSTED TO CORRECT HEIGHT AT QUALIFICATION. APPLY #1-23419-5 LOC-TITE TO THREADS.
- 6 UNLESS SPECIFIED OTHERWISE TORQUE VALUES SHALL BE USED PER DOCUMENT, 101-35000.
- 7 DELPHI SPECIFICATION 12045773 CRIMP INFORMATION SHEET PAGE 40 OF 53 APPLIES TO 1.50mm2, 1.00mm2 & 0.75mm2. DELPHI SPECIFICATION 12045773 CRIMP INFORMATION SHEET PAGE 35 OF 53 APPLIES TO 0.50mm2.
- 8 DELPHI SPECIFICATION 12177150 CRIMP INFORMATION SHEET PAGE 1 OF 14 APPLIES TO 1.00mm2, 0.80mm2, 0.50mm2.

***WARNING**
ON INSTALLATION, SET WIRE DISC TO CRIMP HEIGHT REFERENCE SETTING FOR LARGEST WIRE SIZE. CRIMP HEIGHT REFERENCE SETTINGS GREATER THAN THE VALUE SHOWN MAY CAUSE DAMAGE TO THE CRIMP TOOLING. REFER TO THE INSTRUCTION SHEET FOR PROPER SETUP AND ADJUSTMENTS.

ATLANTIC VERSION
Shown on sheets 1 of 4 & 2 of 4
(Pacific version shown on sheets 3 of 4 & 4 of 4)

LOC	DIST	REV	DATE	BY	CHK
A	66	D1	16OCT2018	MZ	KZ
		E	11JAN2019	JAH	TE
		F	28FEB2019	JAH	GB
		F1	01AUG2019	FZ	TE

QTY	DESCRIPTION	DATE	BY	CHK
-	1803515-3	RAM ASSEMBLY, SF ATLANTIC		293
-	2-1803583-1	APPLICATOR BASIC ASSEMBLY, SF		292
-	2119640-1	PUSH ROD, AIR FEED		250
-	1803259-1	BUSHING, FLANGED		249
-	2119641-1	FEED CAM, AIR FEED		248
-	2119082-6	CAM, SNAIL, INSULATION ADJUSTMENT		244
-	2079764-1	WASHER, WAVE SPRING, CREST-TO-CREST		243
-	2119083-1	RETAINER, INSULATION DIAL		242
-	7-18023-7	SCR, SKT HD CAP M3 X 4.0		241
-	2119580-1	MECHANICAL FEED ASSEMBLY		239
-	2063440-1	AIR FEED MODULE		238
-	4-1722335-3	STRIPPER, SIDE FEED		182
-	1-5018030-0	NUT, HEX, REG, RoHS, M3.5		181
-	1-1752354-9	STANDOFF,HOLD-DOWN		180
-	993111-1	PIN, SLOTTED SPRING 3.0 X 20.0		177
-	5-22280-0	SPRING, COMPRESSION		176
-	1752353-3	GUIDE PIN,HOLDDOWN		175
-	1901680-2	GUIDE PIN,HOLDDOWN		174
-	21045-3	RING, RETAIN, EXTERN, 3/16 CRESCENT		172
-	REF REF REF REF REF REF	994970-2	COUNTER, MAGNETIC	164
-	240638-1	SPRING, FEED FINGER		163
-	3-23627-7	PIN, RETAIN, GRVD, 3/16 X .854		137
-	2119799-1	HOLDER,FEED FINGER, AF		136
-	2844908-1	SCREW, LOCKING		99
-	2844907-1	POST, LOCKING		98
-	455888-5	SPACER, CRIMPER		82
-	1803607-1	DOCUMENTATION PACKAGE		71
-	2119791-5	DEPRESSOR, WIRE		70
-	2119740-1	TAG,IDENTIFICATION		67
-	2168078-1	SCREW, DRIVE, RH, RoHS, 2 x .188		66
-	2168083-2	SCR, SKT HD CAP, RoHS, M4 X 8.0		60
-	5-18022-5	SCR, HEX HD CAP, M4 X 6.0		59
-	985575-3	SCR, FLT SKT HD CAP M3 X 10.0		57
-	1338683-8	FEED PAWL		56
-	2168083-3	SCR, SKT HD CAP, RoHS, M4 X 12.0		54
-	2168083-3	SCR, SKT HD CAP, RoHS, M4 X 12.0		53
-	5018030-1	NUT, HEX, REG, RoHS, M3		52
-	811242-6	BUMPER, HOLD DOWN		51
-	690753-2	SPACER, TONKER		50
-	18023-9	SCR, SKT HD CAP M4 X 6.0		49
-	2119652-1	FEED CAM, PRE FEED		48
-	2119653-1	FEED CAM, POST FEED		47
-	1803583-9	APPLICATOR BASIC ASSEMBLY, SF		46
-	1803515-1	RAM ASSEMBLY, SF ATLANTIC		44
-	1803602-1	SCR, BHSC, RoHS (M8 X 25)		41
-	1752356-3	SUPPORT, TERMINAL		34
-	2079383-5	SCR, BHSC, RoHS (M4 X 20)		33
-	3-2844962-0	SPACER, CYLINDRICAL, STRIP GUIDE		30
-	2844992-1	ASSEMBLY, STRIP GUIDE		29
-	455888-5	SPACER, CRIMPER		28
-	1320928-6	STRIP GUIDE		24
-	2168083-2	SCR, SKT HD CAP, RoHS, M4 X 8.0		21
-	1-18028-2	WASHER, FLAT, REG M4		20
-	2119533-1	STRIPPER, SIDE FEED		19
-	2119806-1	INSERT, SHEAR		13
-	3-22280-3	SPRING, COMPRESSION		12
-	1-356885-4	STOP, SHEAR		11
-	2119805-1	SHEAR HOLDER, FRONT		10
-	318707-1	FLOATING SHEAR, FRONT		9
-	4-1803054-4	ANVIL, COMBINATION		8
-	5-240641-9	SPACER		7
-	-	-		6
-	2-2119781-4	DEPRESSOR, SHEAR		5
-	2-238011-1	BLOCK, CRIMPER SPACER		4
-	3-1803018-6	CRIMPER, INSULATION O		3
-	455888-5	SPACER, CRIMPER		2
-	1-1633305-7	CRIMPER, WIRE PREMIUM		1

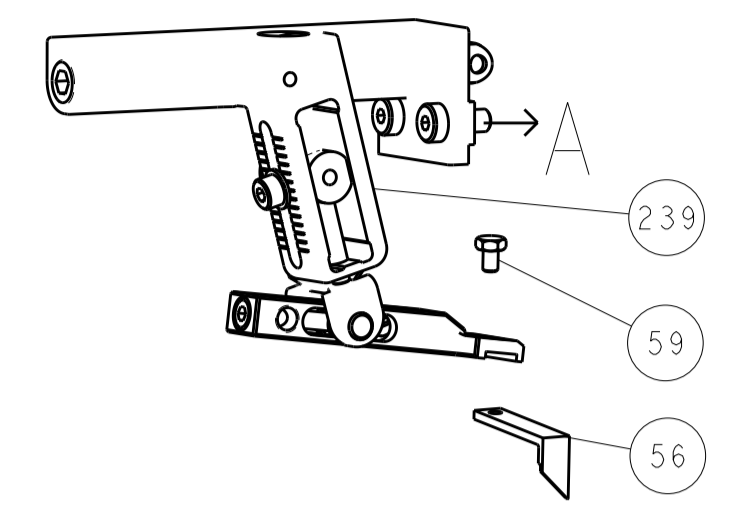
ITEM NO	PART NO	DESCRIPTION	ITEM NO
-77	-72	-71	-52
-51	-2	-1	

CHK	X. ZHAO	01APR2014
CHK	L. ZHANG	01APR2014
APVD	T. ELBIN	01APR2014

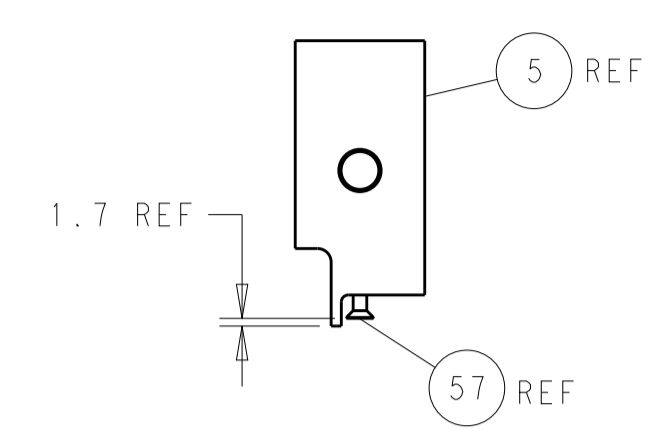
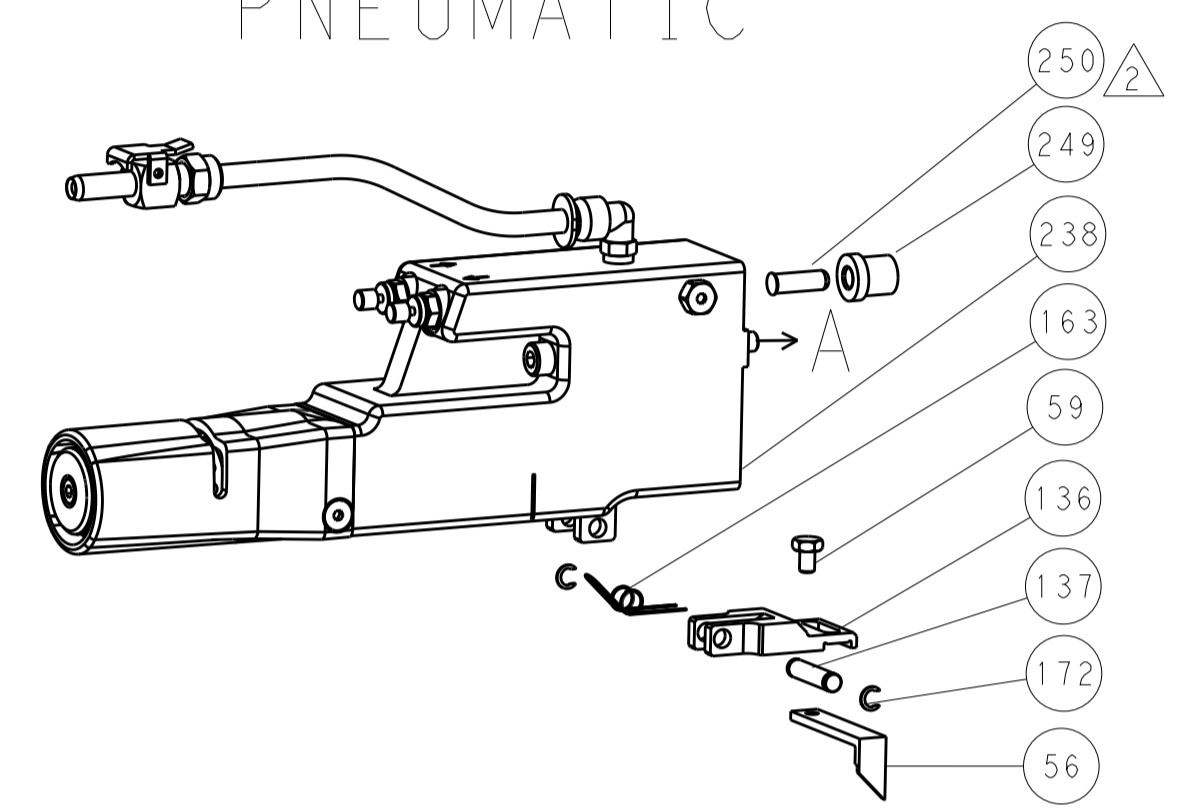
TE Connectivity	Harrisburg, PA 17105-3608		
NAME	Ocean Side Feed Applicator		
SIZE	CAGE CODE	DRAWING NO	RESTRICTED TO
A1	00779	2266258	
Customer Accessible Production Drawing		SCALE	1:2
SHEET		1	OF 4
REV		F1	

LOC	DIST	REVISIONS					
A	66	P	LTN	DESCRIPTION	DATE	DMN	APVD
		-		SEE SHEET 1			

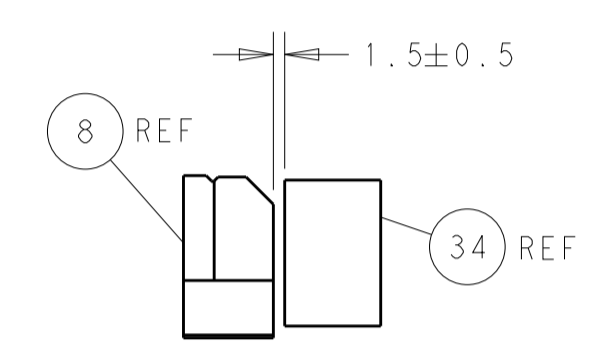
FEED TYPE MECHANICAL



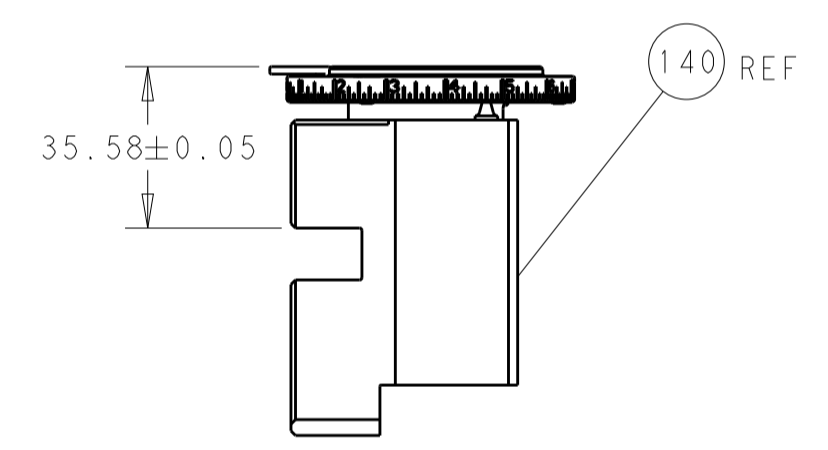
PNEUMATIC



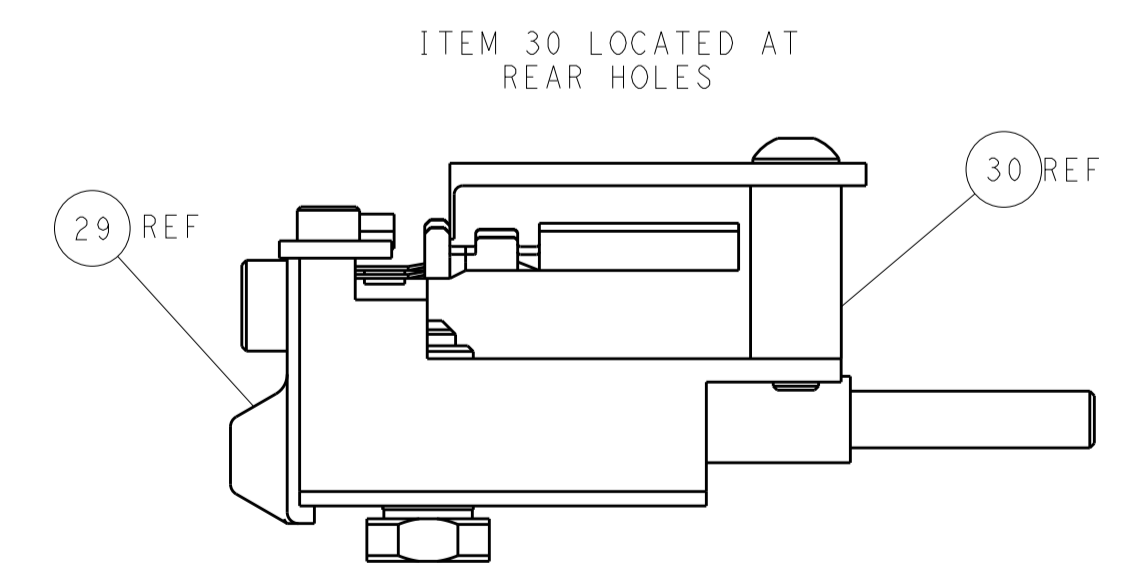
SHEAR DEPRESSOR DETAIL



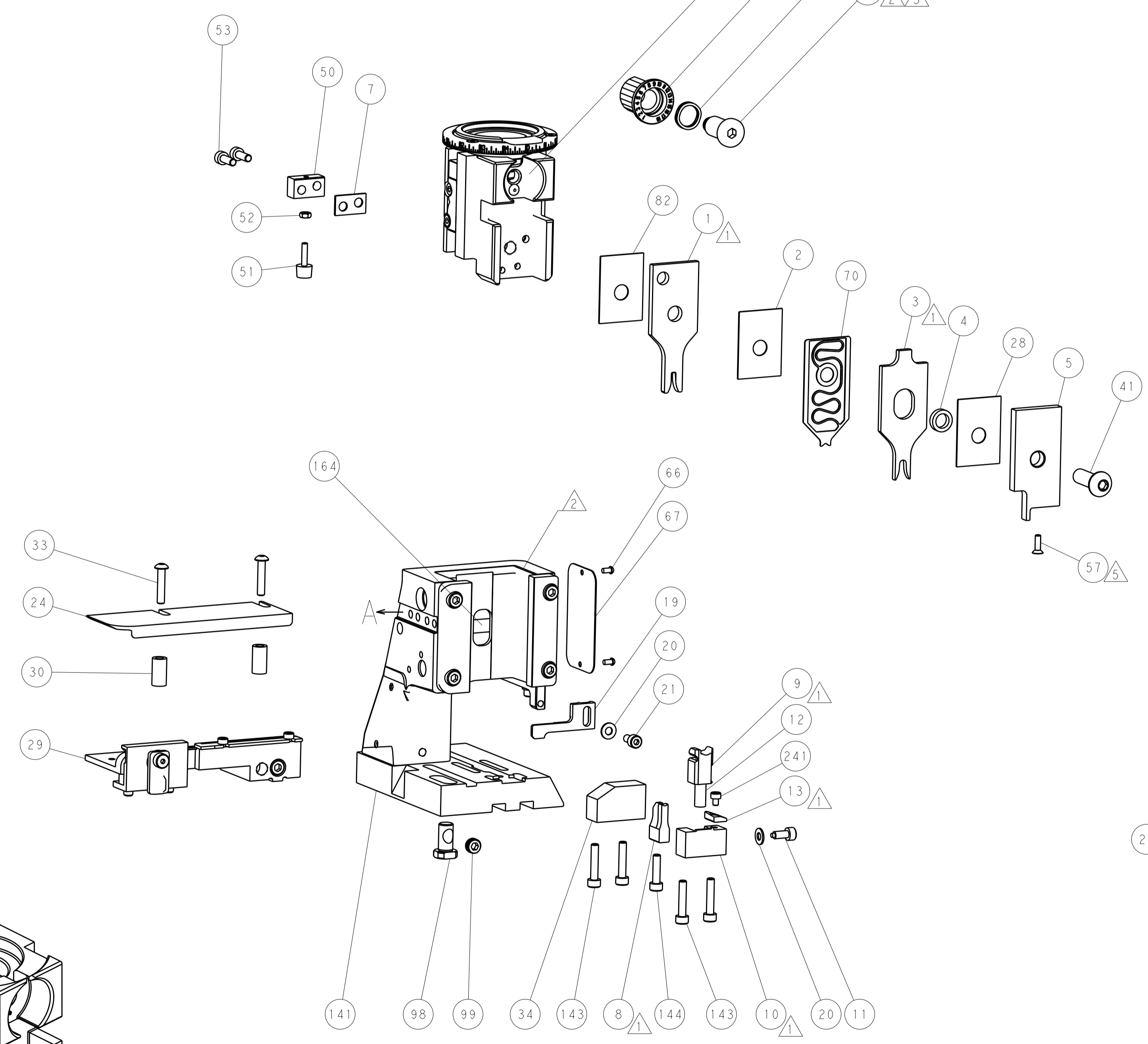
TERMINAL SUPPORT LOCATION



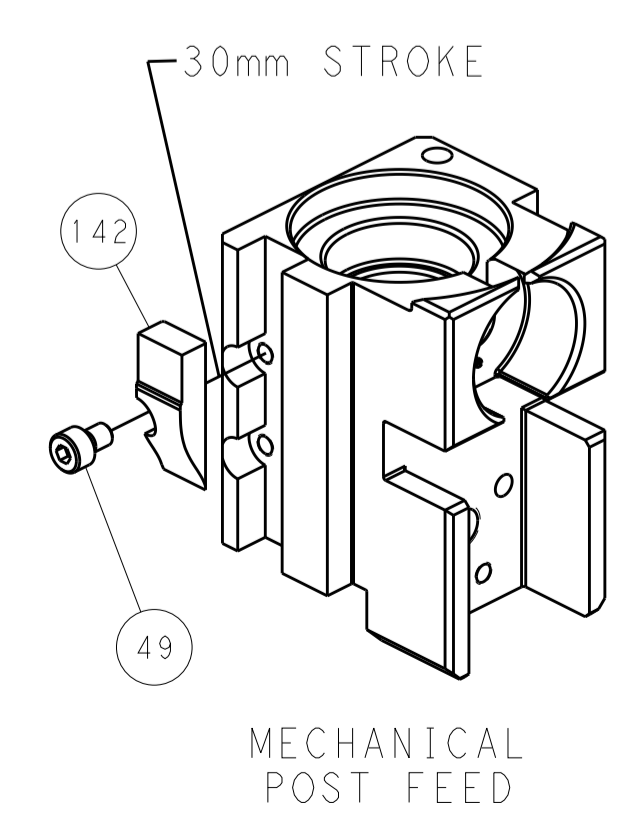
RAM SET-UP



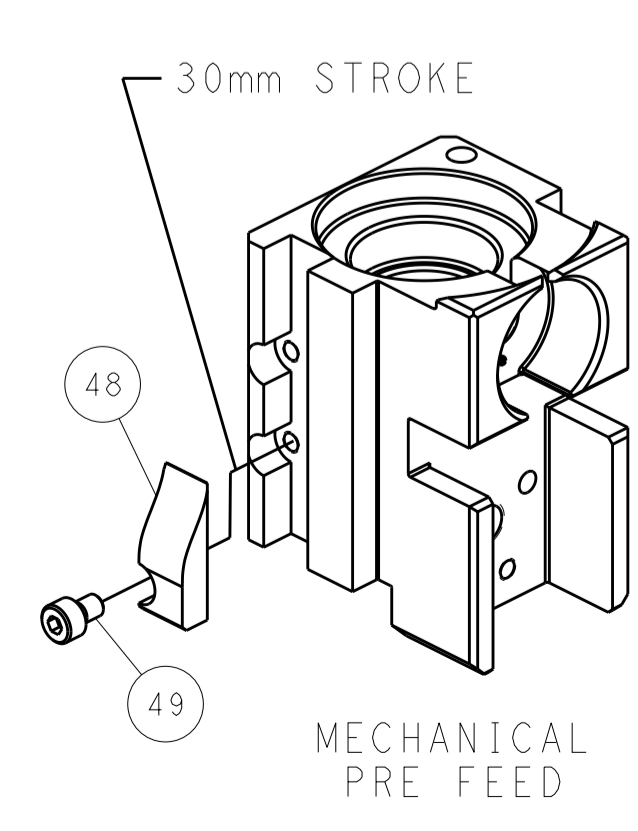
FEED TRACK POSITION
GUIDE BY INSULATION BARREL



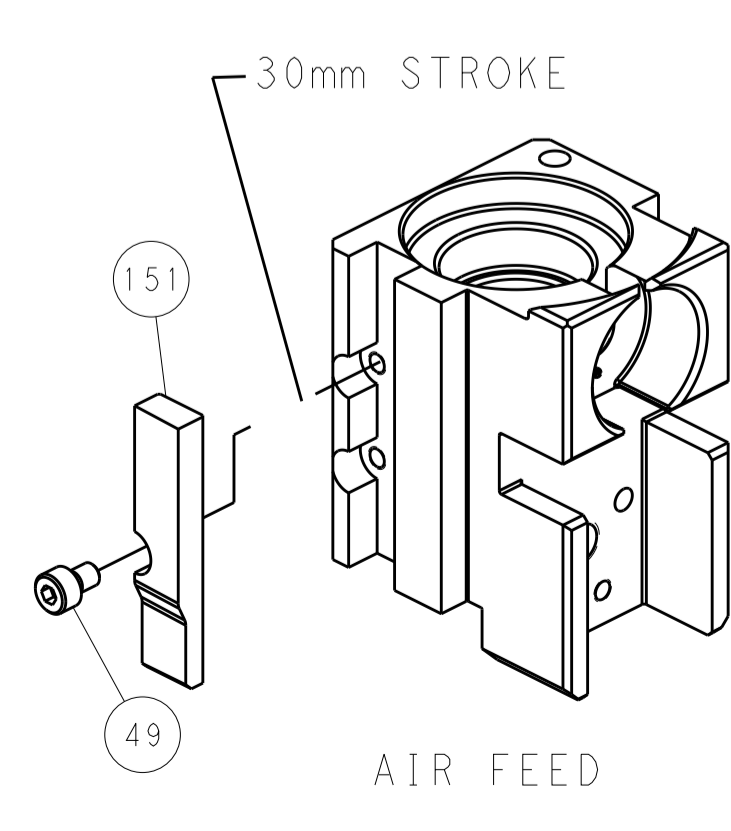
CAM POSITIONS



MECHANICAL
POST FEED



MECHANICAL
PRE FEED



AIR FEED

PACIFIC VERSION
 Shown on sheets 3 of 4 & 4 of 4
 (Atlantic version shown on sheets 1 of 4 & 2 of 4)

DIMENSIONS: mm 		TOLERANCES UNLESS OTHERWISE SPECIFIED: 0 PLC ± 1 PLC ± 2 PLC ± 3 PLC ± 4 PLC ± ANGLES ±		DWG: X_ZHAO 01APR2014 CHK: L_ZHANG 01APR2014 APVD: T_ELRIN 01APR2014 NAME: Ocean Side Feed Applicator SIZE: A1 CAGE CODE: 00779 DRAWING NO: 2266258 SCALE: 1:2 SHEET: 4 OF 4 REV: 1		STE TE Connectivity Harrisburg, PA 17105-3608 RESTRICTED TO	
MATERIAL:		FINISH:		WEIGHT:		Customer Accessible Production Drawing	