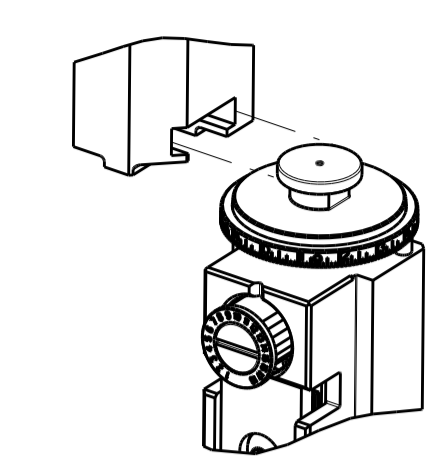


PART NUMBER	REVISION	DESCRIPTION	FEED TYPE
2151972-1	D	FINE CRIMP HEIGHT ADJUST	MECHANICAL
2151972-2	D	FINE CRIMP HEIGHT ADJUST	PNEUMATIC
7-2151972-1	D	MECHANICAL AND CRIMP TOOLING KIT	MECHANICAL
7-2151972-2	D	PNEUMATIC AND CRIMP TOOLING KIT	PNEUMATIC
7-2151972-7	B	CRIMP TOOLING KIT	-

ATLANTIC VERSION TERMINATOR INTERFACE ADAPTER



APPLICATOR DATA		
CRIMP	SIZE	TYPE
WIRE	0.94 mm [.037]	F
INSUL	-	-

APPLICATOR INSTRUCTIONS
408-35042

TERMINAL DATA: TE TERMINAL		TE CRIMP SPECIFICATION	
TERMINAL NAME: CENTER CONTACT, HF FARKA 2. RG174			
WIRE STRIP LENGTH		INSULATION DIAMETER RANGE	
2.30-2.70 mm [.091-.106 IN]		∅ -	-
TERMINAL APPLICATION SPECIFICATION	(A)114-18622	-	-
TERMINALS APPLIED			
TE TERMINAL (A) 1418970-1	TE TERMINAL (A) 1418970-5	TE TERMINAL (A) 1418971-1	TE TERMINAL (A) 1418971-5

TERMINAL DATA: TE TERMINAL		TE CRIMP SPECIFICATION	
TERMINAL NAME: CENTER CONTACT, HF FARKA 2. DACAR 462			
WIRE STRIP LENGTH		INSULATION DIAMETER RANGE	
2.30-2.70 mm [.091-.106 IN]		∅ -	-
TERMINAL APPLICATION SPECIFICATION	(A)114-18622	-	-
TERMINALS APPLIED			
TE TERMINAL (A) 1418970-5	TE TERMINAL (A) 1418971-5	TE TERMINAL	TE TERMINAL

TERMINAL DATA: TE TERMINAL		TE CRIMP SPECIFICATION	
TERMINAL NAME: CENTER CONTACT, HF FARKA 2. RG174, DACAR 462			
WIRE STRIP LENGTH		INSULATION DIAMETER RANGE	
2.30-2.70 mm [.091-.106 IN]		∅ -	-
TERMINAL APPLICATION SPECIFICATION	(B)114-18623	-	-
TERMINALS APPLIED			
TE TERMINAL (B) 1719685-1	TE TERMINAL (B) 1719685-5	TE TERMINAL	TE TERMINAL

WIRE SIZE	CRIMP HEIGHT mm [INCH]	CRIMP HEIGHT REFERENCE SETTING
0.14mm2 or RG 174	0.72+/-0.03 [.028+/- .001]	8.8

WIRE SIZE	CRIMP HEIGHT mm [INCH]	CRIMP HEIGHT REFERENCE SETTING
DACAR 462	0.72+/-0.02 [.028+/- .001]	8.8

WIRE SIZE	CRIMP HEIGHT mm [INCH]	CRIMP HEIGHT REFERENCE SETTING
RG 174	0.71+/-0.02 [.028+/- .001]	8.8
DACAR 462	0.71+/-0.02 [.028+/- .001]	8.8

- 1. RECOMMENDED SPARE PARTS
- 2. REFER TO SUPPLIED INSTRUCTION SHEET FOR CLEANING, LUBRICATION AND STORAGE OF APPLICATOR.
- 3. CRIMP HEIGHT REFERENCE SETTING WAS THE SETTING USED WHEN THE APPLICATOR WAS QUALIFIED AT THE FACTORY. ADJUSTMENT MAY BE NECESSARY WHEN RUNNING APPLICATOR IN THE FIELD.
- 4. UNLESS SPECIFIED OTHERWISE TORQUE VALUES SHALL BE USED PER DOCUMENT, 101-35000.

***WARNING**
ON INSTALLATION, SET WIRE DISC TO CRIMP HEIGHT REFERENCE SETTING FOR LARGEST WIRE SIZE. CRIMP HEIGHT REFERENCE SETTINGS GREATER THAN THE VALUE SHOWN MAY CAUSE DAMAGE TO THE CRIMP TOOLING, REFER TO THE INSTRUCTION SHEET FOR PROPER SETUP AND ADJUSTMENTS.

ATLANTIC VERSION
Shown on sheets 1 of 4 & 2 of 4
(Pacific version shown on sheets 3 of 4 & 4 of 4)

LOC	DIST	REVISIONS					
A	66	P	LTN	DESCRIPTION	DATE	OWN	APVD
		C		ECR-15-011826	07AUG2015	MR	JDG
		C1		ECR-17-005772	27APR2017	RS	LZ
		D		ECR-18-018246	21NOV2018	FZ	KZ
		D1		ECR-19-019095	10DEC2019	FZ	TE

-	1	-	1	-	2119640-1	PUSH ROD, AIR FEED	250	
-	1	-	1	-	1803259-1	BUSHING, FLANGED	249	
-	1	-	1	-	2119641-1	FEED CAM, AIR FEED	248	
-	1	1	1	1	7-18023-7	SCR, SKT HD CAP M3 X 4.0	241	
-	-	1	-	1	2119580-1	MECHANICAL FEED ASSEMBLY	239	
-	1	-	1	-	2063440-1	AIR FEED MODULE	238	
-	2	-	2	-	21045-3	RING, RETAIN, EXTERN, 3/16 CRESCENT	172	
-	REF	REF	REF	REF	994970-2	COUNTER, MAGNETIC	164	
-	1	-	1	-	240638-1	SPRING, FEED FINGER	163	
-	1	-	1	-	3-23627-7	PIN, RETAIN, GRVD, 3/16 X .854	137	
-	1	-	1	-	2119799-1	HOLDER, FEED FINGER, AF	136	
-	1	1	1	1	1-18028-2	WASHER, FLAT, REG M4	119	
-	1	1	1	1	2844908-1	SCREW, LOCKING	99	
-	1	1	1	1	2844907-1	POST, LOCKING	98	
-	1	1	1	1	1-455888-1	SPACER, CRIMPER	82	
-	1	1	1	1	5-547505-2	SPRING, COMPRESSION	77	
-	1	1	1	1	854769-8	HOLDER, INS	74	
-	1	1	1	1	1803607-1	DOCUMENTATION PACKAGE	71	
-	1	1	1	1	2119740-1	TAG, IDENTIFICATION	67	
-	2	2	2	2	2168078-1	SCREW, DRIVE, RH, RoHS, 2 x .188	66	
-	1	1	1	1	2168083-2	SCR, SKT HD CAP, RoHS, M4 X 8.0	60	
-	1	1	1	1	5-18022-5	SCR, HEX HD CAP, M4 X 6.0	59	
-	1	1	1	1	21028-2	PIN, SLOTTED SPRING .062 X .250	58	
-	1	1	1	1	1338685-1	PAWL, FEED	56	
-	4	4	4	4	2168083-3	SCR, SKT HD CAP, RoHS, M4 X 12.0	54	
-	2	2	2	2	1-2168083-0	SCR, SKT HD CAP, RoHS, M4 X 10	53	
-	1	1	1	1	5018030-1	NUT, HEX, REG, RoHS, M3	52	
-	1	1	1	1	811242-5	BUMPER, HOLD DOWN	51	
-	1	1	1	1	690753-2	SPACER, TONKER	50	
-	1	2	1	2	18023-9	SCR, SKT HD CAP M4 X 6.0	49	
-	-	1	-	1	2119652-1	FEED CAM, PRE FEED	48	
-	-	1	-	1	2119653-1	FEED CAM, POST FEED	47	
-	1	1	1	1	1803583-9	APPLICATOR BASIC ASSEMBLY, SF	46	
-	1	1	1	1	1803515-1	RAM ASSEMBLY, SF ATLANTIC	44	
-	1	1	1	1	1803602-1	SCR, BHSC, RoHS (M8 X 25)	41	
-	1	1	1	1	1-1424186-7	SUPPORT, TERMINAL	34	
-	2	2	2	2	2079383-5	SCR, BHSC, RoHS (M4 X 20)	33	
-	2	2	2	2	2-2844962-3	SPACER, CYLINDRICAL, STRIP GUIDE	30	
-	1	1	1	1	2844992-1	ASSEMBLY, STRIP GUIDE	29	
-	1	1	1	1	455888-3	SPACER, CRIMPER	28	
-	1	1	1	1	1320928-2	STRIP GUIDE	24	
-	1	1	1	1	2168083-2	SCR, SKT HD CAP, RoHS, M4 X 8.0	21	
-	1	1	1	1	1-18028-2	WASHER, FLAT, REG M4	20	
-	1	1	1	1	2119533-1	STRIPPER, SIDE FEED	19	
-	1	1	1	1	2119806-1	INSERT, SHEAR	13	
-	1	1	1	1	3-22280-3	SPRING, COMPRESSION	12	
-	1	1	1	1	1-356885-4	STOP, SHEAR	11	
-	1	1	1	1	2119805-1	SHEAR HOLDER, FRONT	10	
-	1	1	1	1	1803095-1	FLOATING SHEAR, FRONT	9	
-	1	2	2	1	1	2-1633733-1	ANVIL, WIRE	8
-	-	-	-	-	-	-	6	
-	1	1	1	1	2119780-3	DEPRESSOR, SHEAR	5	
-	-	-	-	-	-	-	4	
-	-	-	-	-	-	-	3	
-	-	-	-	-	-	-	2	
-	1	2	2	1	1	1803212-3	CRIMPER, WIRE PREMIUM	1

DIMENSIONS:		TOLERANCES UNLESS OTHERWISE SPECIFIED:		DATE: 10JUN2013		OWN: R.O. WILSON	
mm	0 PLC ±	1 PLC ±	2 PLC ±	3 PLC ±	4 PLC ±	5 PLC ±	DATE: 12JUN2013
MATERIAL:		FINISH:		APVD: K. J. STAKEM		NAME: TE Connectivity	
Customer Accessible Production Drawing		SCALE: 1:2		SHEET: 1 of 4		REV: D1	

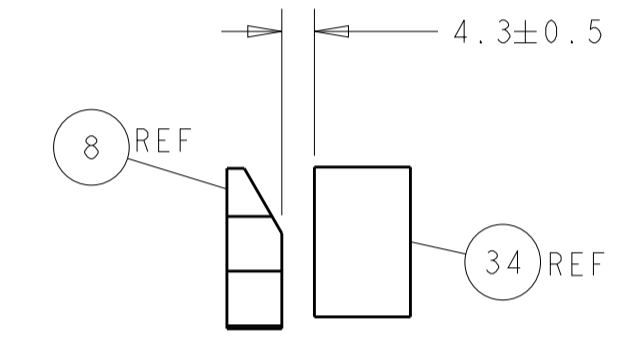
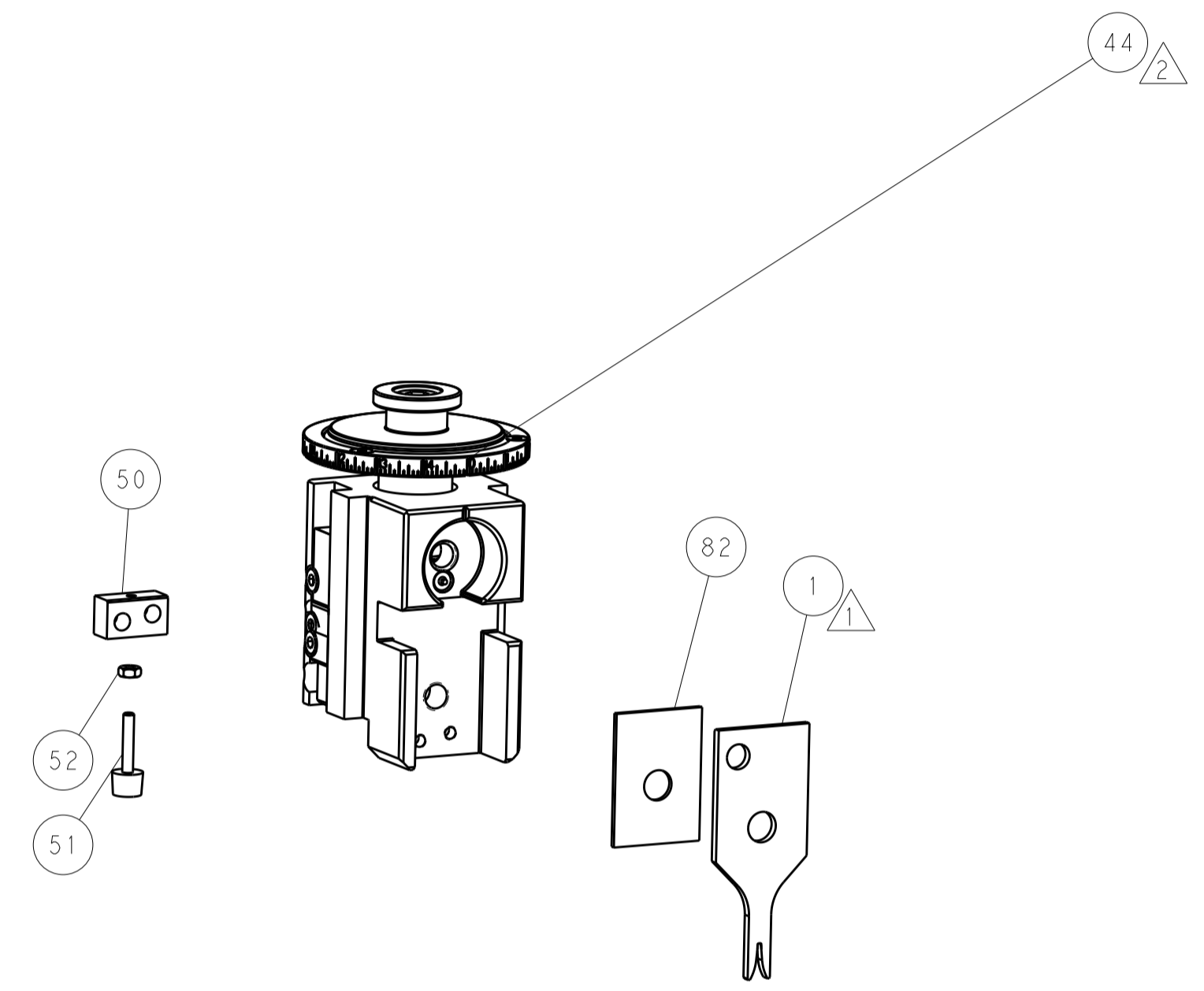
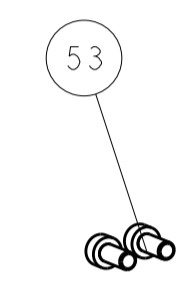
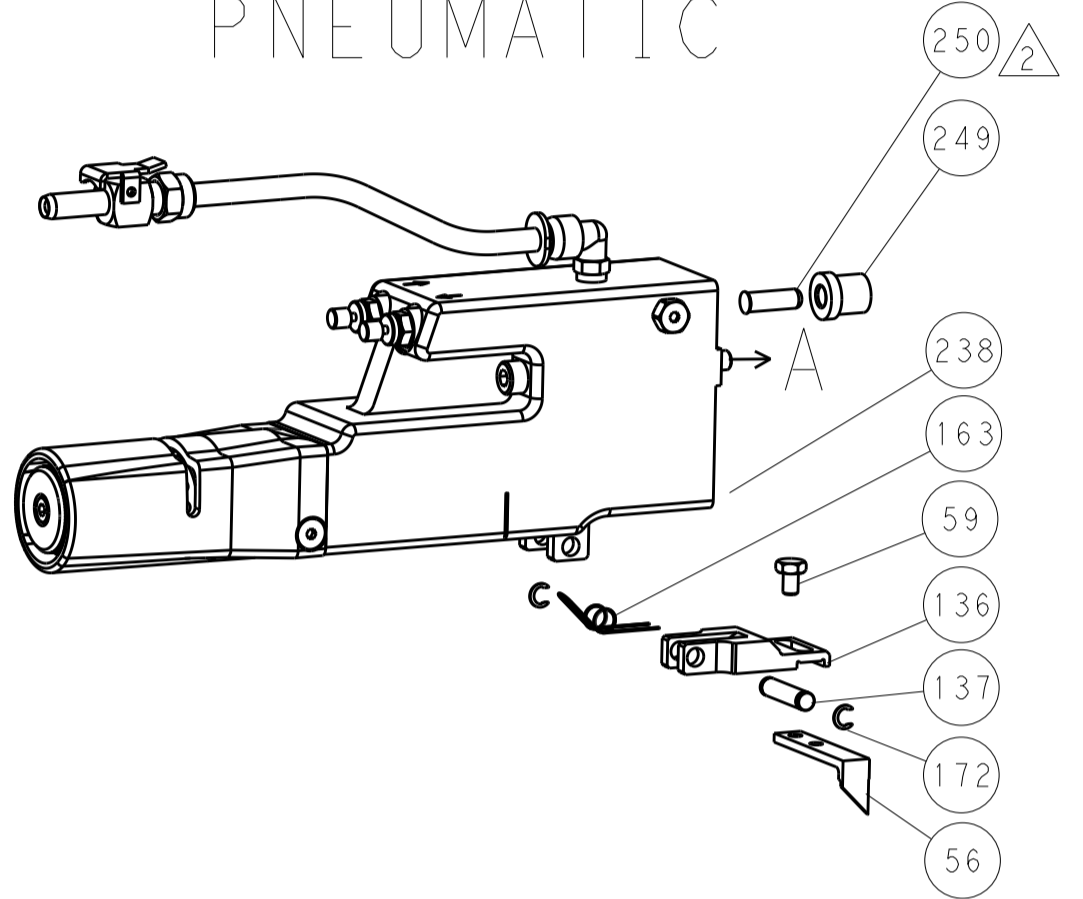
Product Spec: Ocean Side Feed Applicator
Part No: 2151972

LOC	DIST	REV	DATE	BY	APPV
A	66				

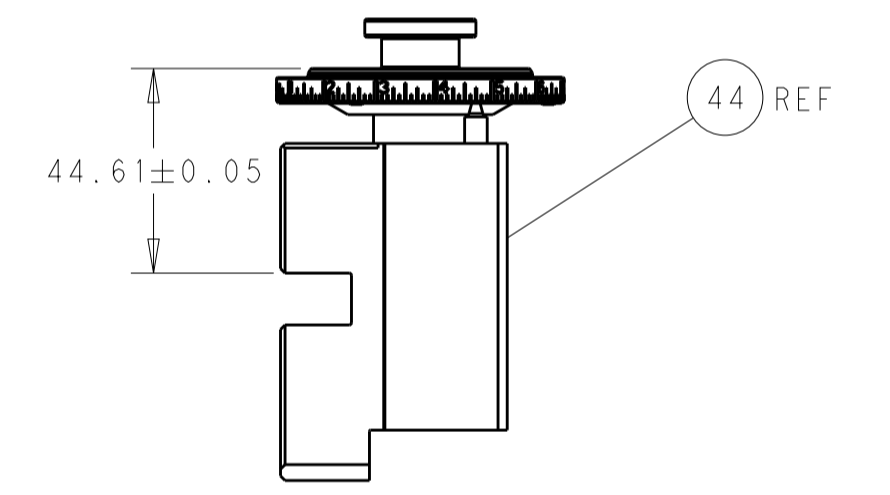
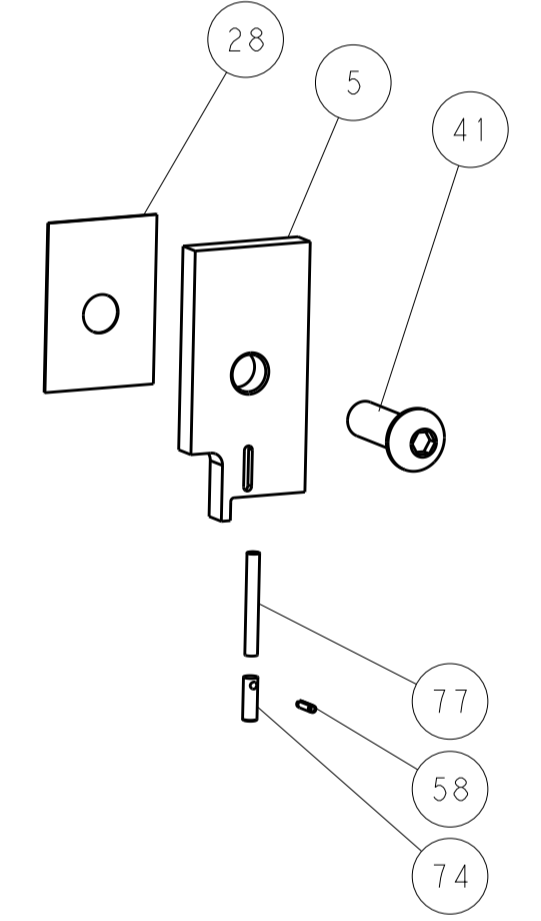
FEED TYPE MECHANICAL



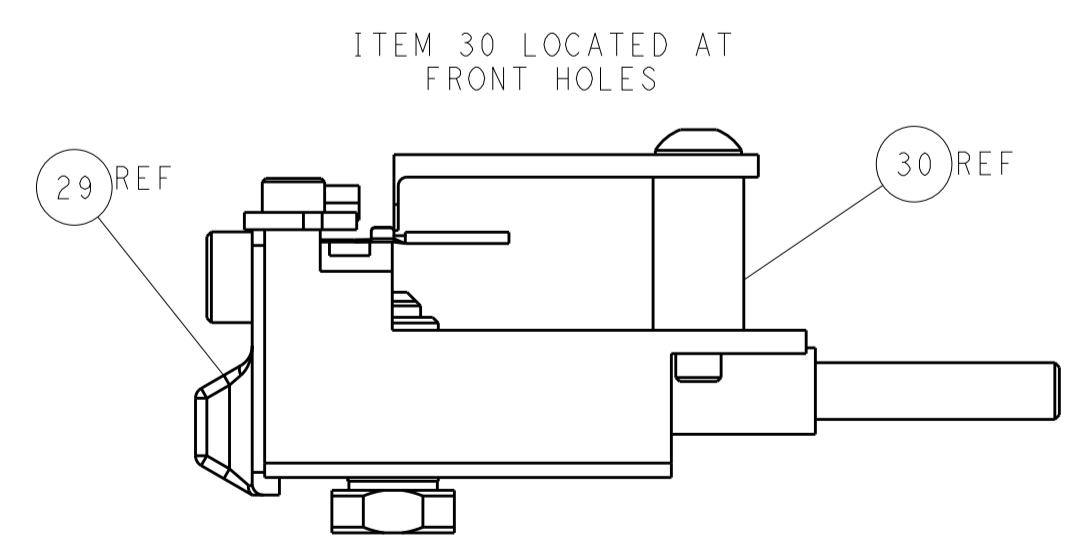
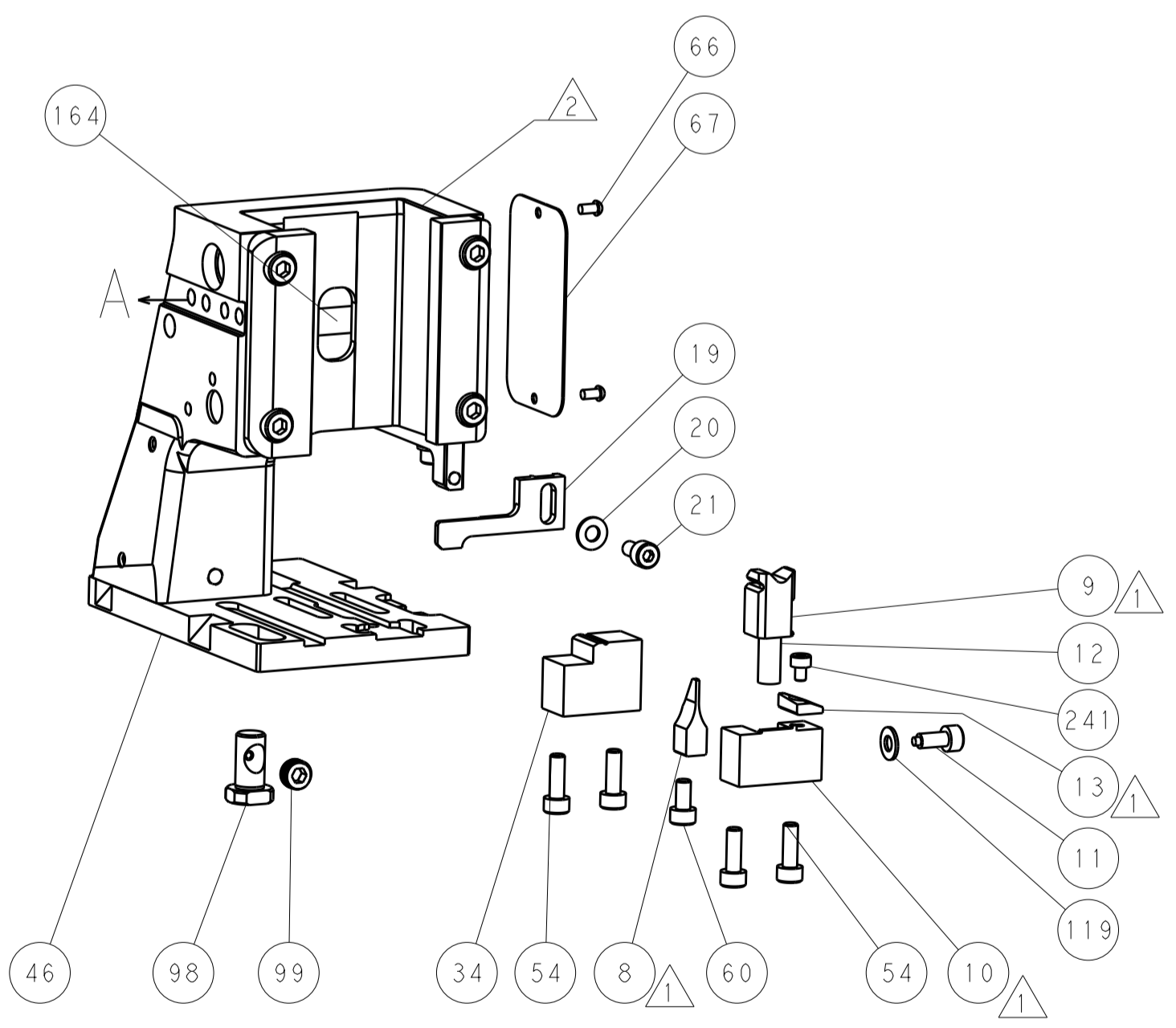
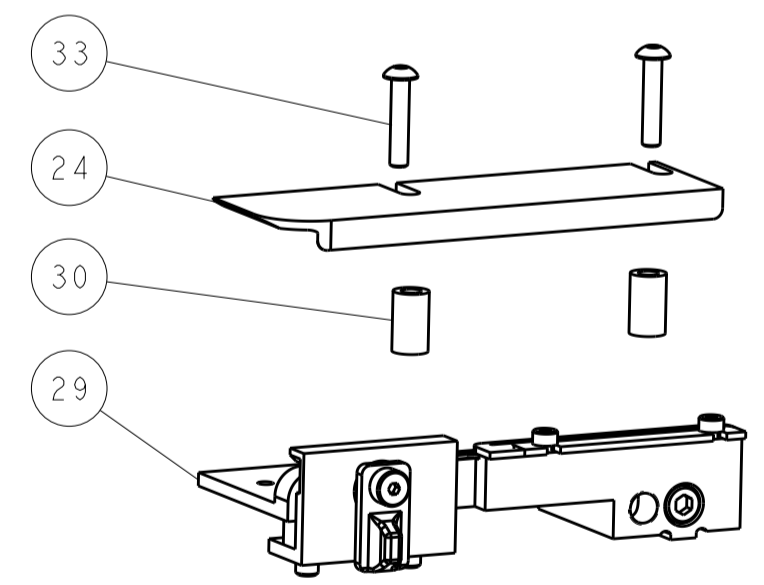
PNEUMATIC



TERMINAL SUPPORT LOCATION

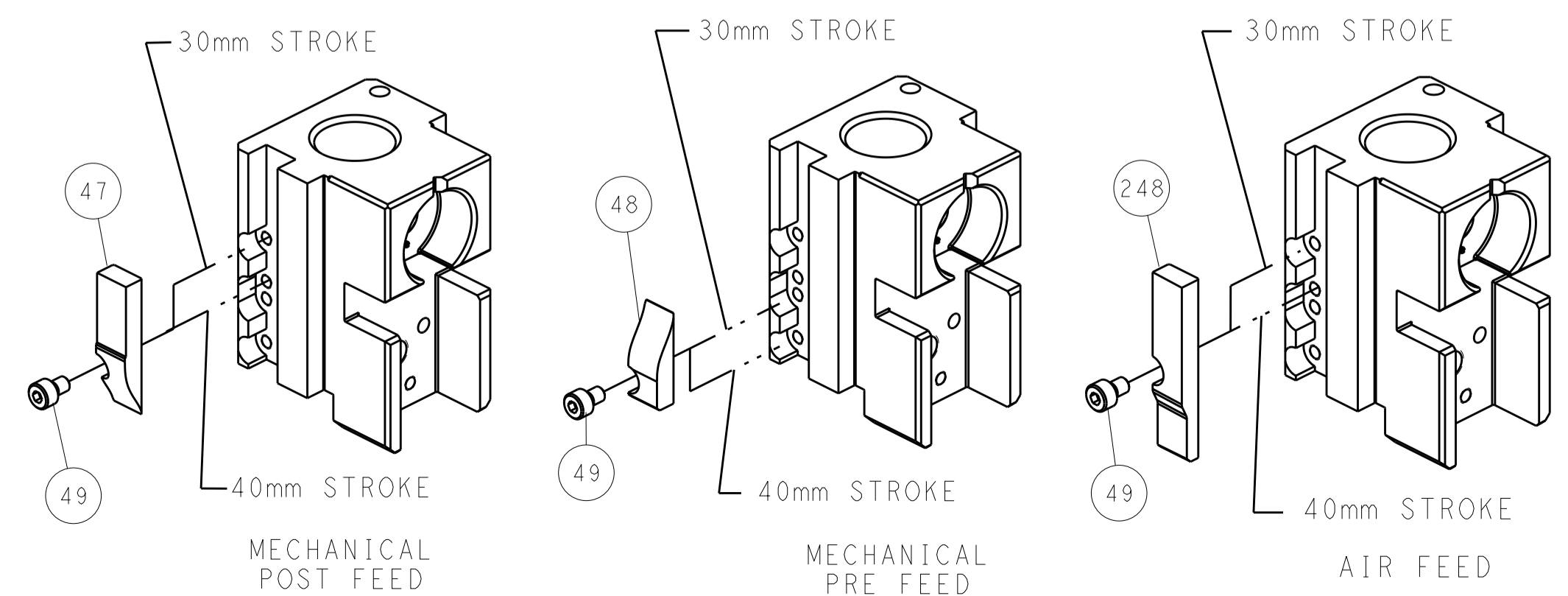


RAM SET-UP



FEED TRACK POSITION GUIDE BY WIRE BARREL

CAM POSITIONS



ATLANTIC VERSION
 Shown on sheets 1 of 4 & 2 of 4
 (Pacific version shown on sheets 3 of 4 & 4 of 4)

DIMENSIONS:		TOLERANCES UNLESS OTHERWISE SPECIFIED:		DWG: R.O. WILSON 10JUN2013		TE Connectivity	
mm	0 PLC ±	1 PLC ±	2 PLC ±	3 PLC ±	4 PLC ±	APVD: K.J. STAKEM 12JUN2013	Harrisburg, PA 17105-3608
MATERIAL:		FINISH:		PRODUCT SPEC:		NAME: Ocean Side Feed Applicator	
				APPLICATION SPEC:		SIZE: A1	
				WEIGHT:		CAGE CODE: 00779	
				SCALE: 1:2		DRAWING NO: 2151972	
				SHEET: 2 of 4		REV: D1	

PART NUMBER	REVISION	DESCRIPTION	FEED TYPE
2-2151972-1	D	FINE CRIMP HEIGHT ADJUST	MECHANICAL
2-2151972-2	D	FINE CRIMP HEIGHT ADJUST	PNEUMATIC
7-2151972-7	B	CRIMP TOOLING KIT	-

PACIFIC VERSION TERMINATOR
INTERFACE ADAPTER



APPLICATOR DATA		
CRIMP	SIZE	TYPE
WIRE	0.94 mm [.037]	F
INSUL	-	-

APPLICATOR INSTRUCTIONS
408-35042

TERMINAL DATA: TE TERMINAL		TE CRIMP SPECIFICATION	
TERMINAL NAME: CENTER CONTACT, HF FARKA 2, RG174			
WIRE STRIP LENGTH		INSULATION DIAMETER RANGE	
2.30-2.70 mm [.091-.106 IN]		∅ -	
TERMINAL APPLICATION SPECIFICATION	(A)114-18622	-	-
TERMINALS APPLIED			
TE TERMINAL	TE TERMINAL	TE TERMINAL	TE TERMINAL
(A) 1418970-1	(A) 1418970-5	(A) 1418971-1	(A) 1418971-5

TERMINAL DATA: TE TERMINAL		TE CRIMP SPECIFICATION	
TERMINAL NAME: CENTER CONTACT, HF FARKA 2, DACAR 462			
WIRE STRIP LENGTH		INSULATION DIAMETER RANGE	
2.30-2.70 mm [.091-.106 IN]		∅ -	
TERMINAL APPLICATION SPECIFICATION	(A)114-18622	-	-
TERMINALS APPLIED			
TE TERMINAL	TE TERMINAL	TE TERMINAL	TE TERMINAL
(A) 1418970-5	(A) 1418971-5		

TERMINAL DATA: TE TERMINAL		TE CRIMP SPECIFICATION	
TERMINAL NAME: CENTER CONTACT, HF FARKA 2, RG174, DACAR 462			
WIRE STRIP LENGTH		INSULATION DIAMETER RANGE	
2.30-2.70 mm [.091-.106 IN]		∅ -	
TERMINAL APPLICATION SPECIFICATION	(B)114-18623	-	-
TERMINALS APPLIED			
TE TERMINAL	TE TERMINAL	TE TERMINAL	TE TERMINAL
(B) 1719685-1	(B) 1719685-5		

WIRE SIZE	CRIMP HEIGHT mm [INCH]	CRIMP HEIGHT REFERENCE SETTING
0.14mm2 or RG 174	0.72+/-0.03 [.028+/- .001]	8.8

WIRE SIZE	CRIMP HEIGHT W2_CRIMP_UNIT	CRIMP HEIGHT REFERENCE SETTING
DACAR 462	0.72+/-0.02 [.028+/- .001]	8.8

WIRE SIZE	CRIMP HEIGHT W3_CRIMP_UNIT	CRIMP HEIGHT REFERENCE SETTING
RG 174	0.71+/-0.02 [.028+/- .001]	8.8
DACAR 462	0.71+/-0.02 [.028+/- .001]	8.8

- 1 RECOMMENDED SPARE PARTS
- 2 REFER TO SUPPLIED INSTRUCTION SHEET FOR CLEANING, LUBRICATION AND STORAGE OF APPLICATOR.
- 3 CRIMP HEIGHT REFERENCE SETTING WAS THE SETTING USED WHEN THE APPLICATOR WAS QUALIFIED AT THE FACTORY. ADJUSTMENT MAY BE NECESSARY WHEN RUNNING APPLICATOR IN THE FIELD.
- 4. UNLESS SPECIFIED OTHERWISE TORQUE VALUES SHALL BE USED PER DOCUMENT, 101-35000.

***WARNING**
ON INSTALLATION, SET WIRE DISC TO CRIMP HEIGHT REFERENCE SETTING FOR LARGEST WIRE SIZE. CRIMP HEIGHT REFERENCE SETTINGS GREATER THAN THE VALUE SHOWN MAY CAUSE DAMAGE TO THE CRIMP TOOLING, REFER TO THE INSTRUCTION SHEET FOR PROPER SETUP AND ADJUSTMENTS.

PACIFIC VERSION
Shown on sheets 3 of 4 & 4 of 4
(Atlantic version shown on sheets 1 of 4 & 2 of 4)

LOC	DIST	REV	DATE	BY	APPV
A	66	-	-	-	-

REV	DATE	BY	APPV	DESCRIPTION	ITEM NO	
-	1	-	-	2119640-1	PUSH ROD, AIR FEED	250
-	1	-	-	1803259-1	BUSHING, FLANGED	249
-	1	1	-	7-18023-7	SCR, SKT HD CAP M3 X 4.0	241
-	-	1	-	2119580-1	MECHANICAL FEED ASSEMBLY	239
-	1	-	-	2063440-1	AIR FEED MODULE	238
-	2	-	-	21045-3	RING, RETAIN, EXTERN, 3/16 CRESCENT	172
-	REF	REF	-	994970-2	COUNTER, MAGNETIC	164
-	1	-	-	240638-1	SPRING, FEED FINGER	163
-	1	-	-	2119641-2	FEED CAM, AIR FEED	151
-	1	1	-	2168083-8	SCR, SKT HD CAP, RoHS, M4 X 16	144
-	4	4	-	2168083-9	SCR, SKT HD CAP, RoHS, M4 X 20	143
-	-	1	-	2119653-2	FEED CAM, POST FEED	142
-	1	1	-	1-1803583-0	APPLICATOR BASIC ASSEMBLY, SF	141
-	1	1	-	1803516-1	RAM ASSEMBLY, SF PACIFIC	140
-	1	-	-	3-23627-7	PIN, RETAIN, GRVD, 3/16 X .854	137
-	1	-	-	2119799-1	HOLDER, FEED FINGER, AF	136
-	1	1	-	1-18028-2	WASHER, FLAT, REG M4	119
-	1	1	-	2844908-1	SCREW, LOCKING	99
-	1	1	-	2844907-1	POST, LOCKING	98
-	1	1	-	1-455888-1	SPACER, CRIMPER	82
-	1	1	-	5-547505-2	SPRING, COMPRESSION	77
-	1	1	-	854769-8	HOLDER, INS	74
-	1	1	-	1803607-1	DOCUMENTATION PACKAGE	71
-	1	1	-	2119740-1	TAG, IDENTIFICATION	67
-	2	2	-	2168078-1	SCREW, DRIVE, RH, RoHS, 2 x .188	66
-	1	1	-	5-18022-5	SCR, HEX HD CAP, M4 X 6.0	59
-	1	1	-	21028-2	PIN, SLOTTED SPRING .062 X .250	58
-	1	1	-	1338685-1	PAWL, FEED	56
-	2	2	-	1-2168083-0	SCR, SKT HD CAP, RoHS, M4 X 10	53
-	1	1	-	5018030-1	NUT, HEX, REG, RoHS, M3	52
-	1	1	-	811242-5	BUMPER, HOLD DOWN	51
-	1	1	-	690753-2	SPACER, TONKER	50
-	1	2	-	18023-9	SCR, SKT HD CAP M4 X 6.0	49
-	-	1	-	2119652-1	FEED CAM, PRE FEED	48
-	1	1	-	1803602-1	SCR, BHSC, RoHS (M8 X 25)	41
-	1	1	-	1-1424186-7	SUPPORT, TERMINAL	34
-	2	2	-	2079383-5	SCR, BHSC, RoHS (M4 X 20)	33
-	2	2	-	2-2844962-3	SPACER, CYLINDRICAL, STRIP GUIDE	30
-	1	1	-	2844992-1	ASSEMBLY, STRIP GUIDE	29
-	1	1	-	455888-3	SPACER, CRIMPER	28
-	1	1	-	1320928-2	STRIP GUIDE	24
-	1	1	-	2168083-2	SCR, SKT HD CAP, RoHS, M4 X 8.0	21
-	1	1	-	1-18028-2	WASHER, FLAT, REG M4	20
-	1	1	-	2119533-1	STRIPPER, SIDE FEED	19
-	1	1	-	2119806-1	INSERT, SHEAR	13
-	1	1	-	3-22280-3	SPRING, COMPRESSION	12
-	1	1	-	1-356885-4	STOP, SHEAR	11
-	1	1	-	2119805-1	SHEAR HOLDER, FRONT	10
-	1	1	-	1803095-1	FLOATING SHEAR, FRONT	9
-	1	1	-	2-1633733-1	ANVIL, WIRE	8
-	-	-	-	-	-	6
-	1	1	-	2119780-3	DEPRESSOR, SHEAR	5
-	-	-	-	-	-	4
-	-	-	-	-	-	3
-	-	-	-	-	-	2
-	1	1	-	1803212-3	CRIMPER, WIRE PREMIUM	1

DIMENSIONS:		TOLERANCES UNLESS OTHERWISE SPECIFIED:		MATERIAL:		FINISH:	
mm	0 PLC ±	1 PLC ±	2 PLC ±	3 PLC ±	4 PLC ±	ANGLES	

DATE	10 JUN 2013	CHK	R. O. WILSON
DATE	12 JUN 2013	CHK	K. J. STAKEM
DATE	12 JUN 2013	APPV	

NAME	Ocean Side Feed Applicator		
SIZE	CAGE CODE	DRAWING NO	RESTRICTED TO
A1	00779	2151972	

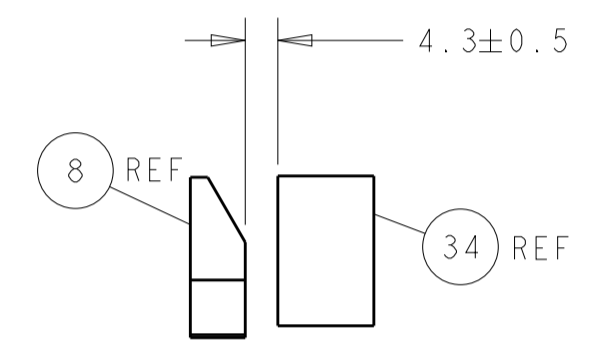
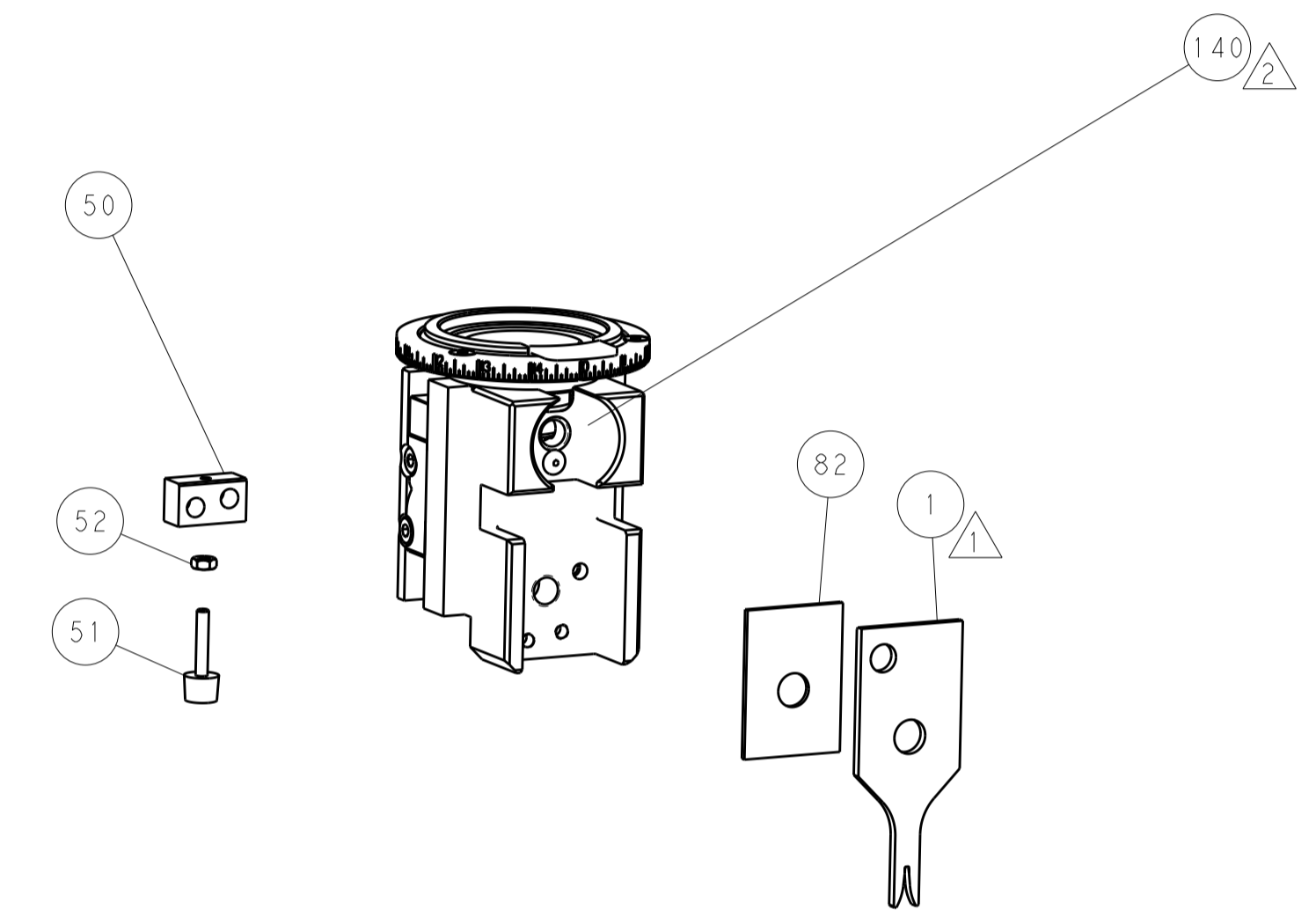
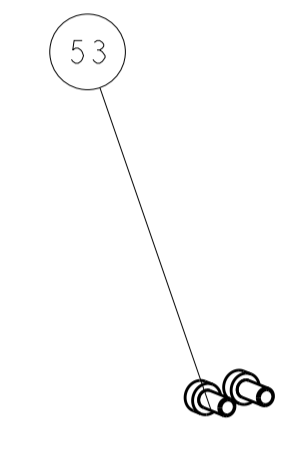
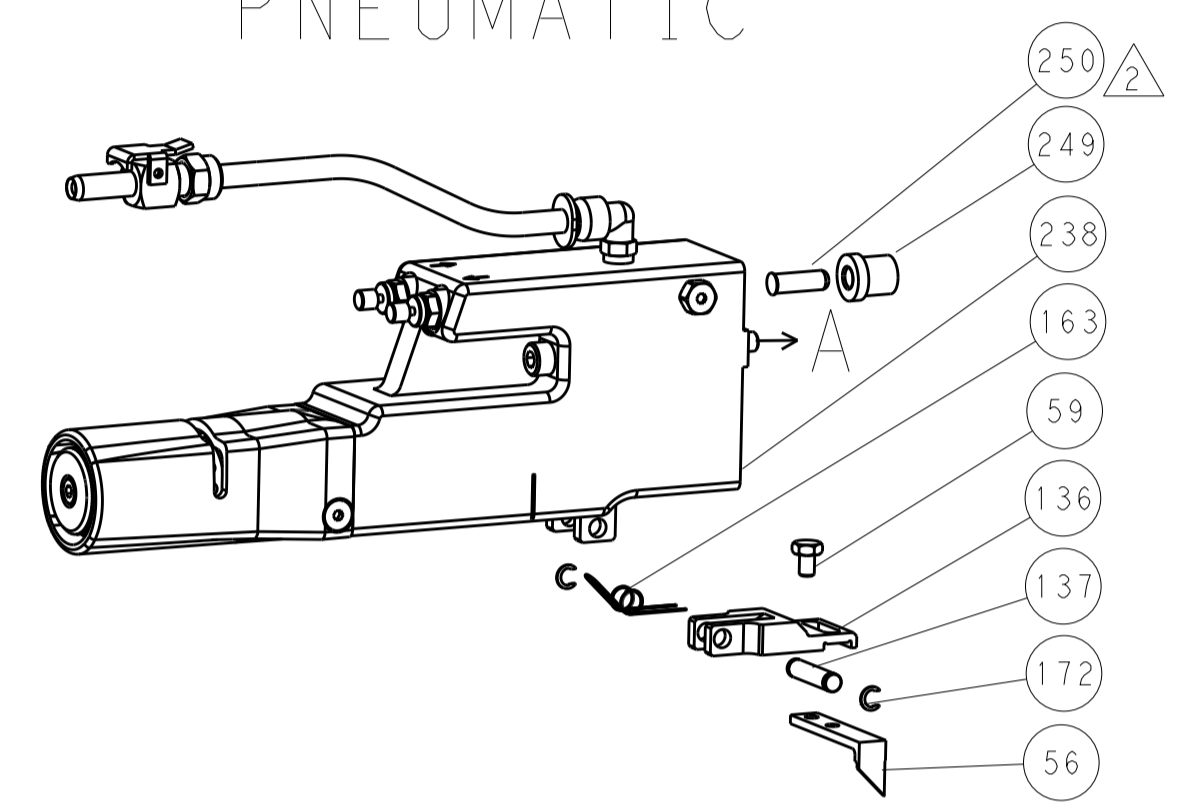
Customer Accessible Production Drawing SCALE 1:2 SHEET 3 OF 4 REV D1

LOC		DIST		REVISIONS			
A	66	P	LTM	DESCRIPTION	DATE	DMN	APVD
		-	-	SEE SHEET 1	-	-	-

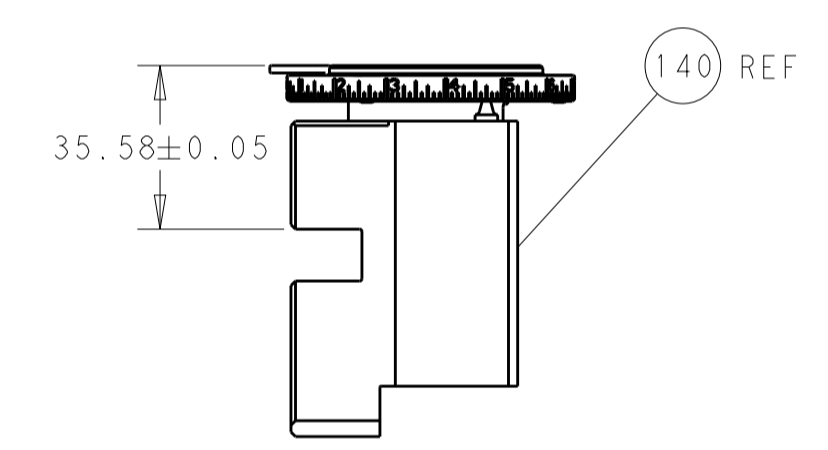
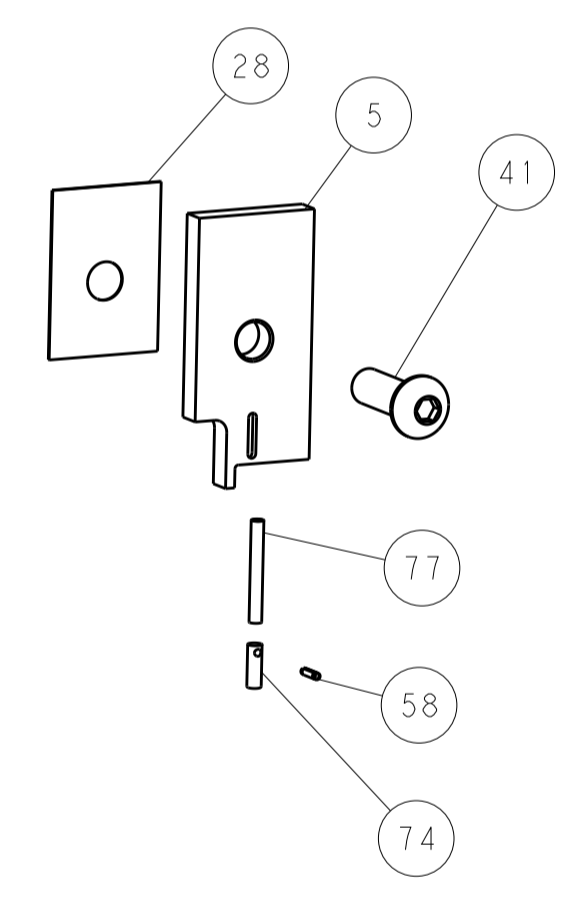
FEED TYPE MECHANICAL



PNEUMATIC

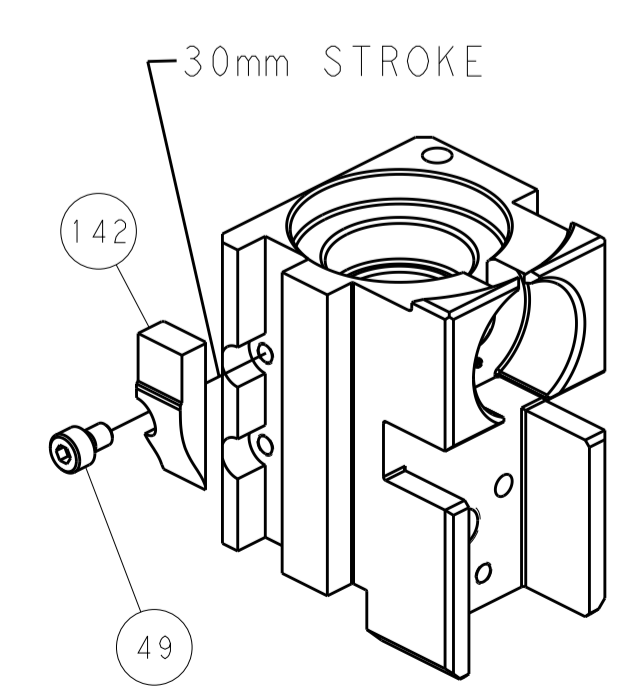


TERMINAL SUPPORT LOCATION

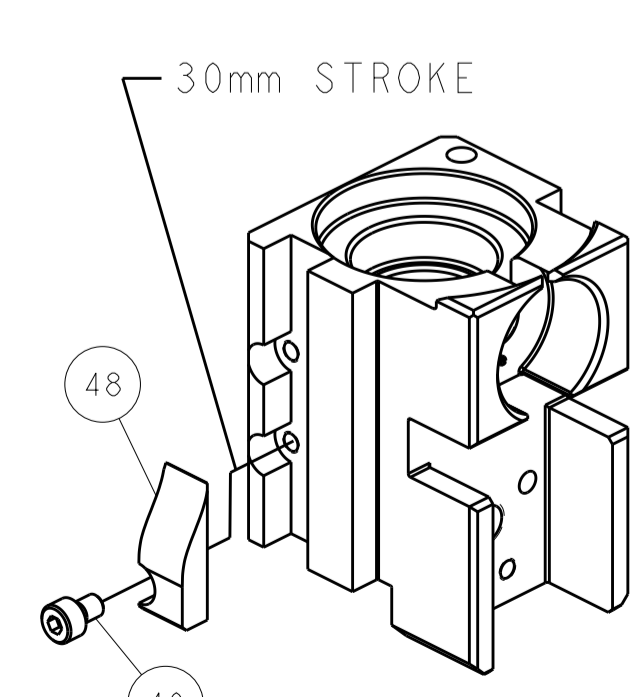


RAM SET-UP

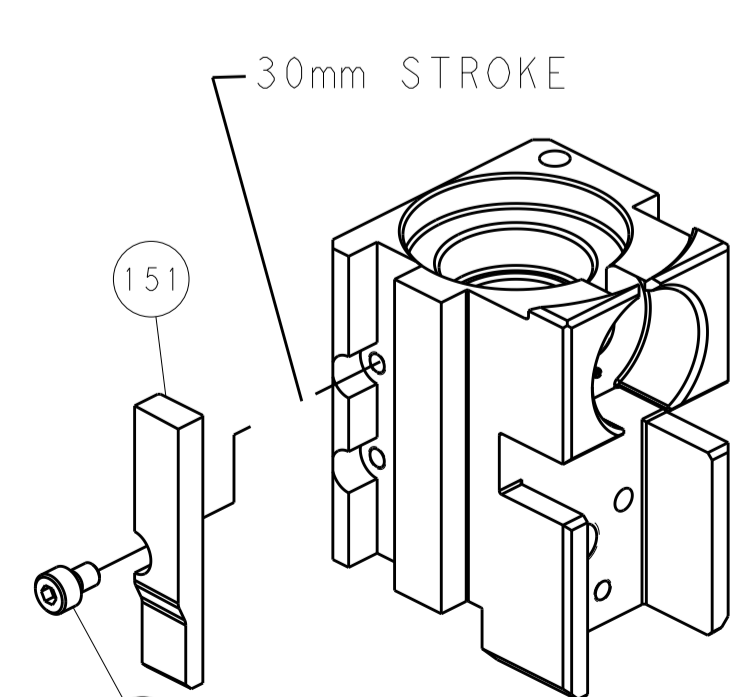
CAM POSITIONS



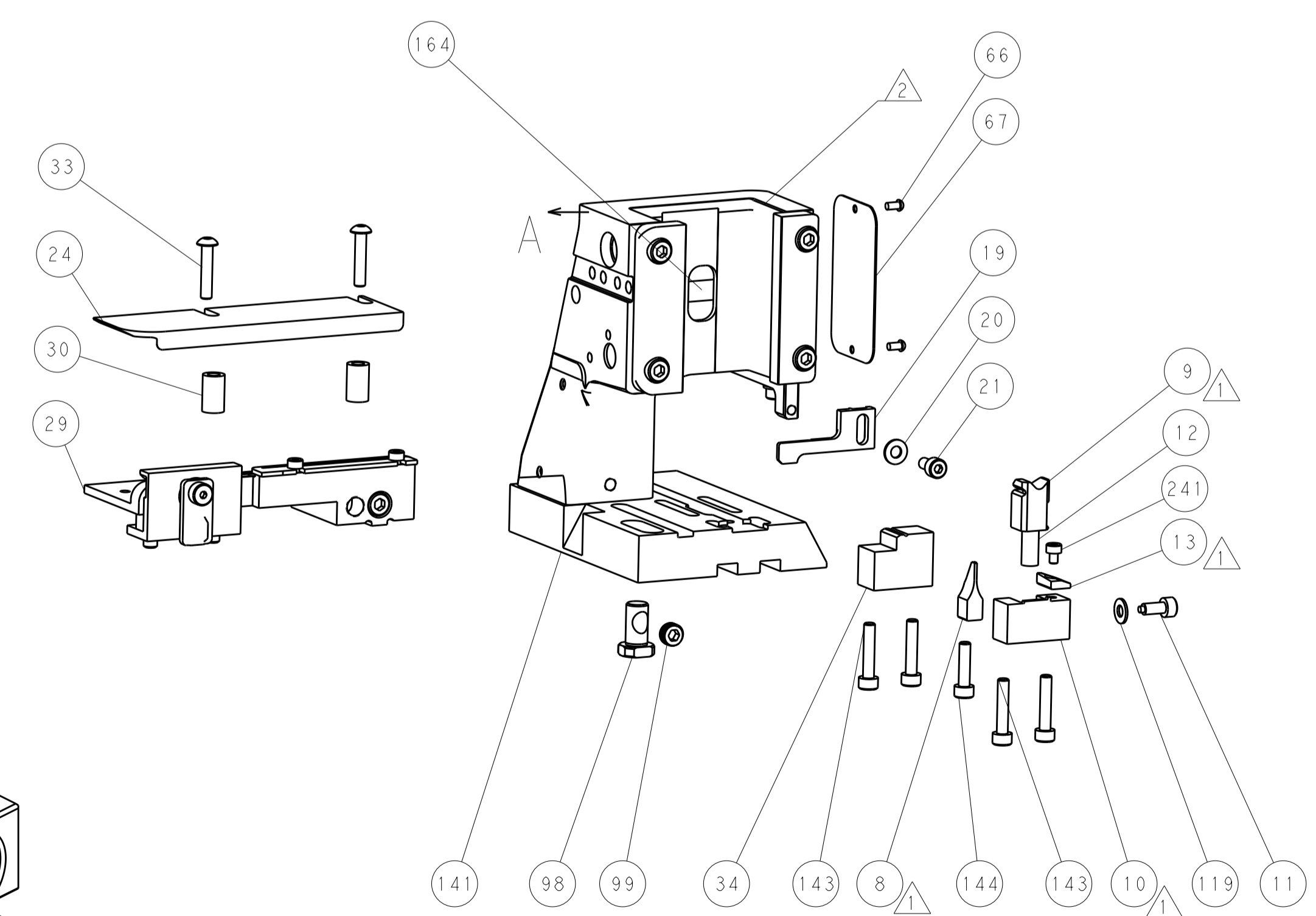
MECHANICAL POST FEED



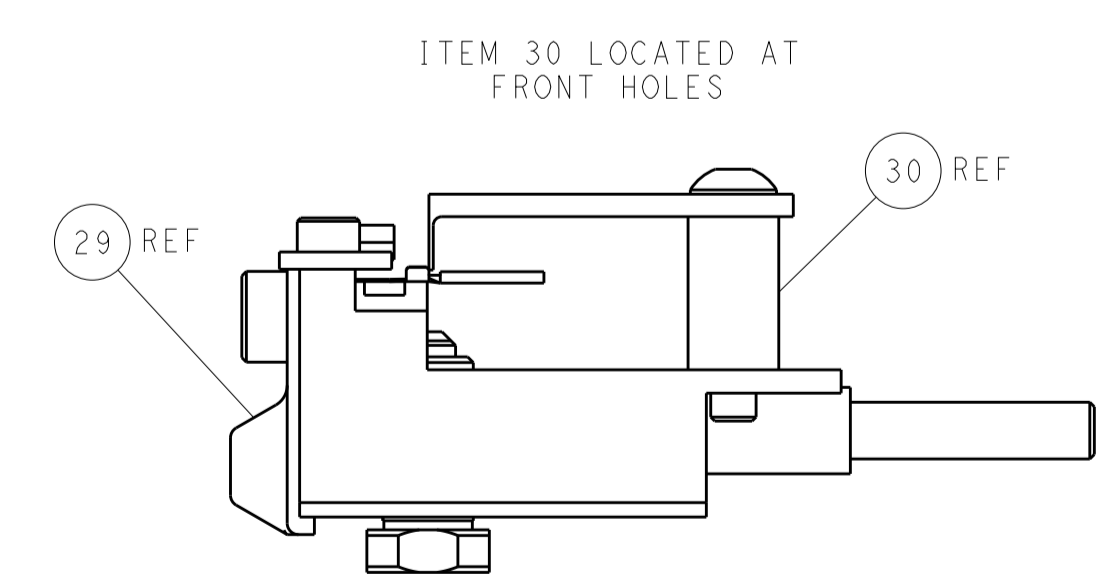
MECHANICAL PRE FEED



AIR FEED



PACIFIC VERSION
 Shown on sheets 3 of 4 & 4 of 4
 (Atlantic version shown on sheets 1 of 4 & 2 of 4)



FEED TRACK POSITION GUIDE BY WIRE BARREL

<small>THIS DRAWING IS UNPUBLISHED. RELEASED FOR PUBLICATION. IT IS THE PROPERTY OF TYCO ELECTRONICS CORPORATION. IT IS TO BE USED ONLY FOR THE PURPOSES AND IN THE QUANTITIES SPECIFIED IN THE ORDER. IT IS TO BE RETURNED TO TYCO ELECTRONICS CORPORATION WHEN NO LONGER REQUIRED.</small>		DMN: R.O. WILSON 10JUN2013 CHK: K.J. STAKEM 12JUN2013 APVD: 12JUN2013	TE Connectivity Harrisburg, PA 17105-3608
DIMENSIONS: mm TOLERANCES UNLESS OTHERWISE SPECIFIED: 0 PLC ± 1 PLC ± 2 PLC ± 3 PLC ± 4 PLC ± ANGLES ± MATERIAL: - FINISH: -		PRODUCT SPEC: - APPLICATION SPEC: - WEIGHT: - SCALE: 1:2	NAME: Ocean Side Feed Applicator SIZE: A1 CAGE CODE: 00779 DRAWING NO: 2151972 SHEET 4 OF 4 REV D1