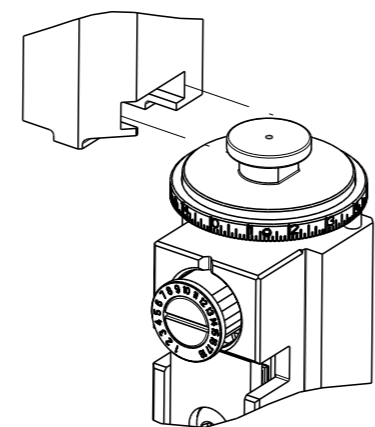


| THIS DRAWING IS UNPUBLISHED.                                       | RELEASED FOR PUBLICATION | 20                              |           |
|--------------------------------------------------------------------|--------------------------|---------------------------------|-----------|
| COPYRIGHT 20 BY TYCO ELECTRONICS CORPORATION. ALL RIGHTS RESERVED. |                          |                                 |           |
| PART NUMBER                                                        | REVISION                 | DESCRIPTION                     | FEED TYPE |
| 2151605-2                                                          | H                        | FINE CRIMP HEIGHT ADJUST        | PNEUMATIC |
| 7-2151605-2                                                        | H                        | PNEUMATIC AND CRIMP TOOLING KIT | PNEUMATIC |
| 7-2151605-7                                                        | A                        | CRIMP TOOLING KIT               | -         |

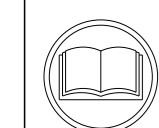
ATLANTIC VERSION TERMINATOR INTERFACE ADAPTER



| APPLICATOR DATA                   |                |      |
|-----------------------------------|----------------|------|
| CRIMP                             | SIZE           | TYPE |
| WIRE                              | 4.06 mm [.160] | F    |
| INSUL                             | 4.83 mm [.190] | F    |
| APPLICATOR INSTRUCTIONS 408-35042 |                |      |

| TERMINAL DATA: TE TERMINAL                         |             | TE CRIMP SPECIFICATION       |             |
|----------------------------------------------------|-------------|------------------------------|-------------|
| TERMINAL NAME: AMP MCP 6, 3/4.8 K LITEALUM CONTACT |             |                              |             |
| WIRE STRIP LENGTH                                  |             | INSULATION DIAMETER RANGE    |             |
| 3.90-4.50 mm [.154-.177 IN]                        |             | Ø4.13-4.38 mm [.163-.172 IN] |             |
| TERMINAL APPLICATION SPECIFICATION                 | 114-94204   |                              |             |
| TERMINALS APPLIED                                  |             |                              |             |
| TE TERMINAL                                        | TE TERMINAL | TE TERMINAL                  | TE TERMINAL |
| 2-2177840-1                                        |             |                              |             |

| WIRE SIZE | CRIMP HEIGHT mm [INCH]  | CRIMP HEIGHT REFERENCE SETTING |
|-----------|-------------------------|--------------------------------|
| 6.00mm2   | 2.10±0.04 [.0827±.0016] | 6.0                            |



- RECOMMENDED SPARE PARTS
- REFER TO SUPPLIED INSTRUCTION SHEET FOR CLEANING, LUBRICATION AND STORAGE OF APPLICATOR.
- APPLY PART NUMBER 2-23419-6 LOCTITE TO THREADS OF ITEMS 99 & 242.
- CRIMP HEIGHT REFERENCE SETTING WAS THE SETTING USED WHEN THE APPLICATOR WAS QUALIFIED AT THE FACTORY. ADJUSTMENT MAY BE NECESSARY WHEN RUNNING APPLICATOR IN THE FIELD.
- TERMINAL PITCH NOT COMPATIBLE WITH MECHANICAL FEED.
- SET THE FINE CRIMP HEIGHT ADJUSTMENT HEAD TO PROPER CRIMP HEIGHT PRIOR TO TIGHTENING/LOCKING THE BRASS TIP SET SCREW, ITEM 99, AGAINST THE ADJUSTMENT BOLT THREADS.
- 7. APPLICATOR TO BE USED IN CONJUNCTION WITH LEADMAKER INTIGRATION KIT, P/N 2280475-1 FOR CLAMPING AND SENSING OF FEED TRACK.
- 8. UNLESS SPECIFIED OTHERWISE TORQUE VALUES SHALL BE USED PER DOCUMENT, 101-35000.

**\*WARNING**  
ON INSTALLATION, SET WIRE DISC TO CRIMP HEIGHT REFERENCE SETTING FOR LARGEST WIRE SIZE. CRIMP HEIGHT REFERENCE SETTINGS GREATER THAN THE VALUE SHOWN MAY CAUSE DAMAGE TO THE CRIMP TOOLING, REFER TO THE INSTRUCTION SHEET FOR PROPER SETUP AND ADJUSTMENTS.

**ATLANTIC VERSION**  
Shown on sheets 1 of 4 & 2 of 4  
(Pacific version shown on sheets 3 of 4 & 4 of 4)

| LOC | DIST | REVISIONS |           |    |     |
|-----|------|-----------|-----------|----|-----|
| A   | 66   | REV       | DATE      | BY | CHK |
|     |      | E         | 07JAN2016 | MR | JDG |
|     |      | F         | 23FEB2016 | KH | CT  |
|     |      | G         | 23SEP2016 | JH | CT  |
|     |      | H         | 24APR2020 | LG | RR  |

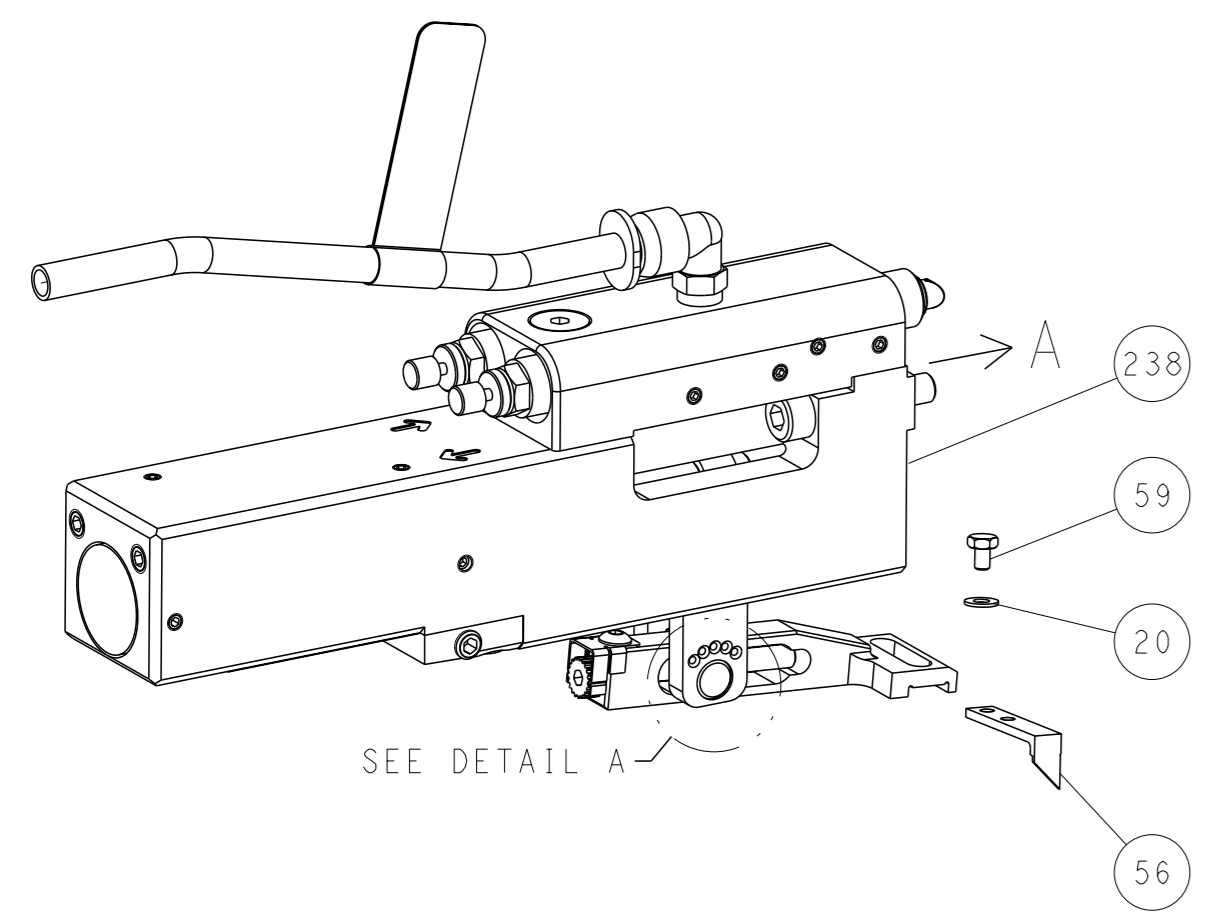
|   |     |     |             |                                     |                              |   |
|---|-----|-----|-------------|-------------------------------------|------------------------------|---|
| - | 1   | 1   | 2-1722335-1 | THREAD BOLT GEWINDEBOLZEN           | 268                          |   |
| - | 1   | 1   | 2119641-1   | FEED CAM, AIR FEED                  | 248                          |   |
| - | 1   | 1   | 2119082-3   | CAM, SNAIL, INSULATION ADJUSTMENT   | 244                          |   |
| - | 1   | 1   | 2079764-1   | WASHER, WAVE SPRING, CREST-TO-CREST | 243                          |   |
| - | 1   | 1   | 2119083-1   | RETAINER, INSULATION DIAL           | 242                          |   |
| - | 1   | 1   | 7-18023-7   | SCR, SKT HD CAP M3 X 4.0            | 241                          |   |
| - | 1   | 1   | 2844940-1   | AIR FEED MODULE                     | 238                          |   |
| - | REF | REF | 994970-2    | COUNTER, MAGNETIC                   | 164                          |   |
| - | 1   | 1   | 1-22281-8   | SPRING, COMPRESSION                 | 121                          |   |
| - | 1   | 1   | 1-18028-2   | WASHER, FLAT, REG M4                | 119                          |   |
| - | 1   | 1   | 2256587-1   | SCR, SET, SOFT TIP, M4              | 100                          |   |
| - | 1   | 1   | 2844908-1   | SCREW, LOCKING                      | 99                           |   |
| - | 1   | 1   | 2844907-1   | POST, LOCKING                       | 98                           |   |
| - | 1   | 1   | 1-690438-0  | FRONT STRIP GUIDE                   | 96                           |   |
| - | 2   | 2   | 2168083-1   | SCR, SKT HD CAP, RoHS, M3 X 8.0     | 95                           |   |
| - | 1   | 1   | 2168083-6   | SCR, SKT HD CAP, RoHS, M5 X 65      | 93                           |   |
| - | 1   | 1   | 1803607-3   | DOCUMENTATION PACKAGE               | 71                           |   |
| - | 1   | 1   | 2119740-1   | TAG, IDENTIFICATION                 | 67                           |   |
| - | 2   | 2   | 2168078-1   | SCREW, DRIVE, RH, RoHS, 2 x .188    | 66                           |   |
| - | 1   | 1   | 2-18032-5   | SCR, SET, FLT PNT, M5 X 20.0        | 61                           |   |
| - | 1   | 1   | 2168083-2   | SCR, SKT HD CAP, RoHS, M4 X 8.0     | 60                           |   |
| - | 1   | 1   | 5-18022-5   | SCR, HEX HD CAP, M4 X 6.0           | 59                           |   |
| - | 1   | 1   | 1338685-1   | PAWL, FEED                          | 56                           |   |
| - | 4   | 4   | 2168083-3   | SCR, SKT HD CAP, RoHS, M4 X 12.0    | 54                           |   |
| - | 2   | 2   | 2168083-8   | SCR, SKT HD CAP, RoHS, M4 X 16      | 53                           |   |
| - | 1   | 1   | 5018030-1   | NUT, HEX, REG, RoHS, M3             | 52                           |   |
| - | 1   | 1   | 811242-5    | BUMPER, HOLD DOWN                   | 51                           |   |
| - | 1   | 1   | 690753-2    | SPACER, TONKER                      | 50                           |   |
| - | 1   | 1   | 18023-9     | SCR, SKT HD CAP M4 X 6.0            | 49                           |   |
| - | 1   | 1   | 2-1803583-3 | APPLICATOR BASIC ASSEMBLY, SF       | 46                           |   |
| - | 1   | 1   | 1803515-1   | RAM ASSEMBLY, SF ATLANTIC           | 44                           |   |
| - | 1   | 1   | 1803602-1   | SCR, BHSC, RoHS (M8 X 25)           | 41                           |   |
| - | 1   | 1   | 1-1752356-2 | SUPPORT, TERMINAL                   | 34                           |   |
| - | 2   | 2   | 2079383-5   | SCR, BHSC, RoHS (M4 X 20)           | 33                           |   |
| - | 2   | 2   | 3-2844962-3 | SPACER, CYLINDRICAL, STRIP GUIDE    | 30                           |   |
| - | 1   | 1   | 2844938-1   | PLATE, STRIP GUIDE                  | 29                           |   |
| - | 1   | 1   | 1-455888-0  | SPACER, CRIMPER                     | 28                           |   |
| - | 2   | 2   | 22283-1     | SPRING, COMPRESSION                 | 27                           |   |
| - | 1   | 1   | 356835-1    | LEVER, DRAG RELEASE                 | 26                           |   |
| - | 1   | 1   | 1803142-1   | DRAG, TERMINAL                      | 25                           |   |
| - | 1   | 1   | 1320928-2   | STRIP GUIDE                         | 24                           |   |
| - | 1   | 1   | 980371-4    | SCR, SKT HD SHLDR 5.0 DIA X 6.0     | 23                           |   |
| - | 1   | 1   | 2168083-2   | SCR, SKT HD CAP, RoHS, M4 X 8.0     | 21                           |   |
| - | 2   | 2   | 1-18028-2   | WASHER, FLAT, REG M4                | 20                           |   |
| - | 1   | 1   | 690472-2    | STRIPPER                            | 19                           |   |
| - | 1   | 1   | 2119806-1   | INSERT, SHEAR                       | 13                           |   |
| - | 1   | 1   | 3-22280-3   | SPRING, COMPRESSION                 | 12                           |   |
| - | 1   | 1   | 1-356885-4  | STOP, SHEAR                         | 11                           |   |
| - | 1   | 1   | 2119805-1   | SHEAR HOLDER, FRONT                 | 10                           |   |
| - | 1   | 1   | 1803095-6   | FLOATING SHEAR, FRONT               | 9                            |   |
| - | 1   | 2   | 1           | 2161316-4                           | ANVIL, COMBINATION           | 8 |
| - | 1   | 1   | 1           | 2-240641-9                          | SPACER                       | 7 |
| - | -   | -   | -           | -                                   | 6                            |   |
| - | 1   | 1   | 1-1722335-0 | SHEAR DEPRESSOR ASSEMBLY            | 5                            |   |
| - | 1   | 1   | 4-238011-5  | BLOCK, CRIMPER SPACER               | 4                            |   |
| - | 1   | 2   | 1           | 1722335-9                           | CRIMPER, INSULATION F        | 3 |
| - | -   | -   | -           | -                                   | 2                            |   |
| - | 1   | 2   | 1           | 2217303-1                           | CRIMPER, WIRE, CONICAL BLEND | 1 |
| - | 77  | 72  | -2          | PART NO                             | ITEM NO                      |   |

|                                                                                                                                            |  |                                                                                                                  |                                                                                                                                                                   |
|--------------------------------------------------------------------------------------------------------------------------------------------|--|------------------------------------------------------------------------------------------------------------------|-------------------------------------------------------------------------------------------------------------------------------------------------------------------|
| <small>THE DRAWING IS CONTROLLED DOCUMENT FOR THE PRODUCT. ANY CHANGES TO THE DRAWING SHOULD BE CONTACTED FOR THE LATEST REVISION.</small> |  | OWN: R. KNEPPER 18JAN2012<br>CHK: T. ELBIN 18JAN2012<br>APVD: M. CLIFFORD 18JAN2012                              | TE Connectivity<br>Harrisburg, PA 17105-3608                                                                                                                      |
| DIMENSIONS: mm<br>                                                                                                                         |  | TOLERANCES UNLESS OTHERWISE SPECIFIED:<br>0 PLC ±<br>1 PLC ±<br>2 PLC ±<br>3 PLC ±<br>4 PLC ±<br>ANGLES FINISH ± | NAME: Ocean Side Feed Applicator<br>SIZE: A1<br>CASE CODE: 00779<br>DRAWING NO: 2151605<br>RESTRICTED TO: -<br>WEIGHT: -<br>SCALE: 1:2<br>SHEET: 1 of 4<br>REV: H |
| MATERIAL: -                                                                                                                                |  | WEIGHT: -                                                                                                        | Customer Accessible Production Drawing                                                                                                                            |

| LOC | DIST | REVISIONS |             |      |     |      |
|-----|------|-----------|-------------|------|-----|------|
| A   | 66   | REV       | DESCRIPTION | DATE | OWN | APVD |
| -   | -    | -         | SEE SHEET 1 | -    | -   | -    |

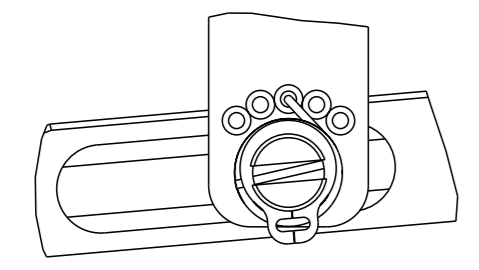
# FEED TYPE

## PNEUMATIC



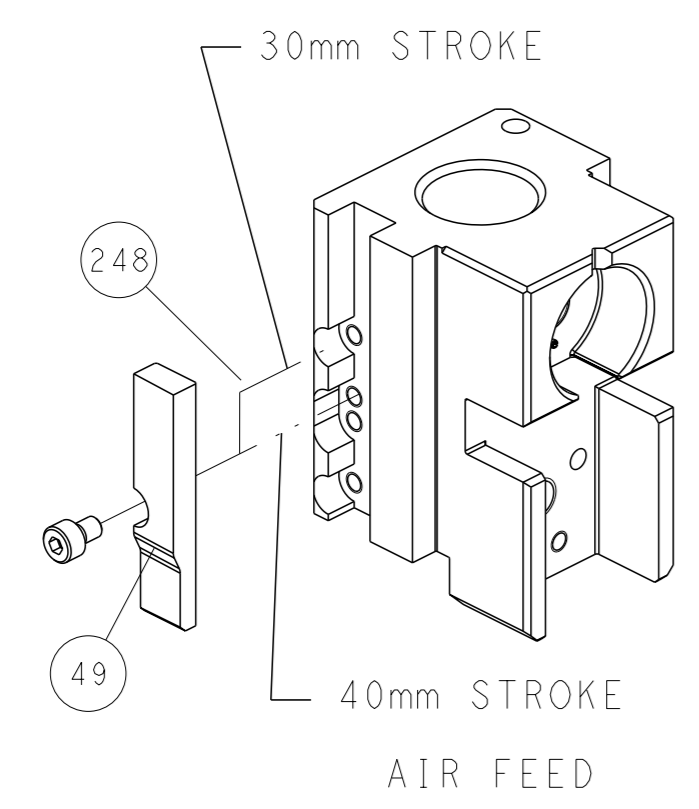
SEE DETAIL A

## FEED SPRING SETTING POSITION (SHOWN FROM REAR SIDE)

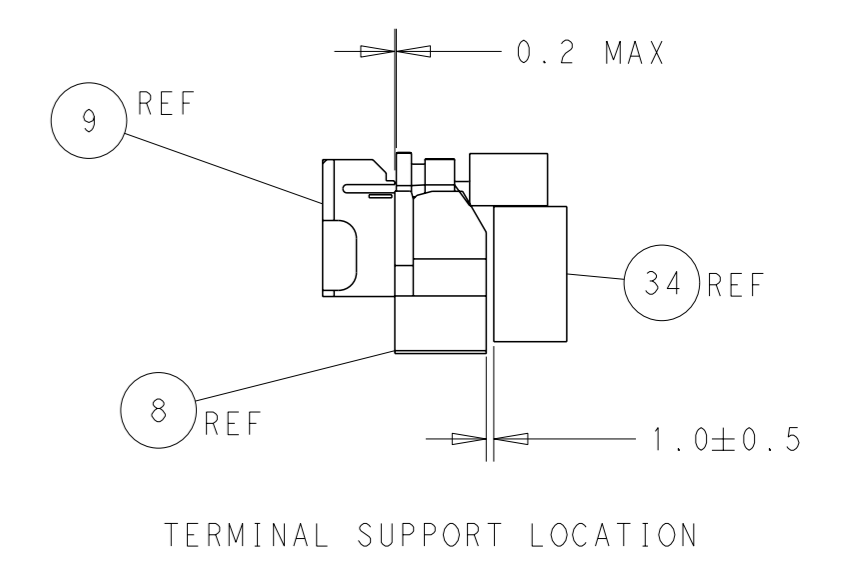
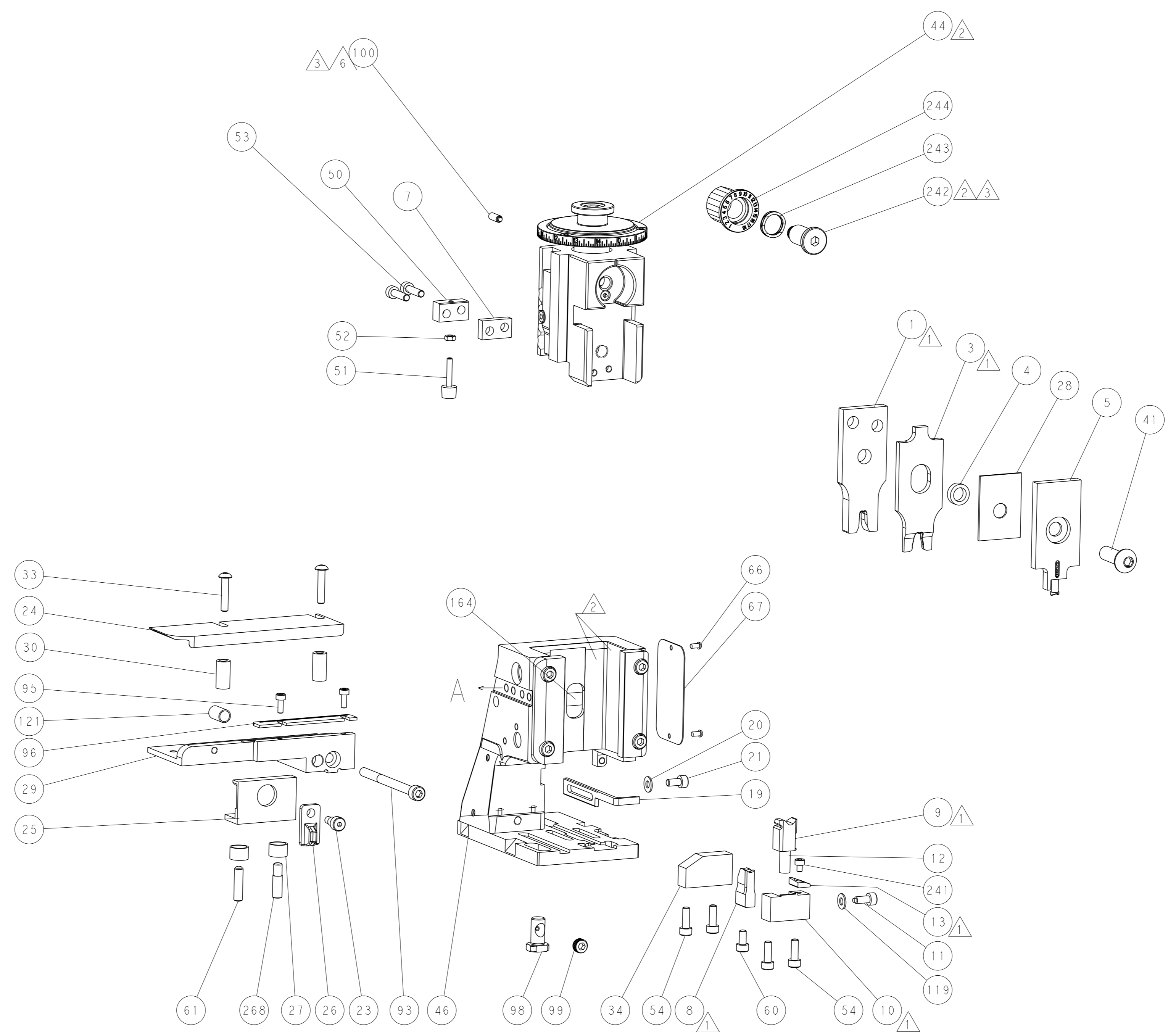


DETAIL A

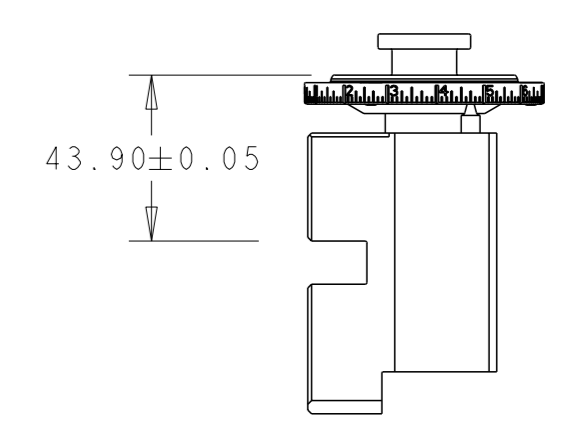
## CAM POSITION



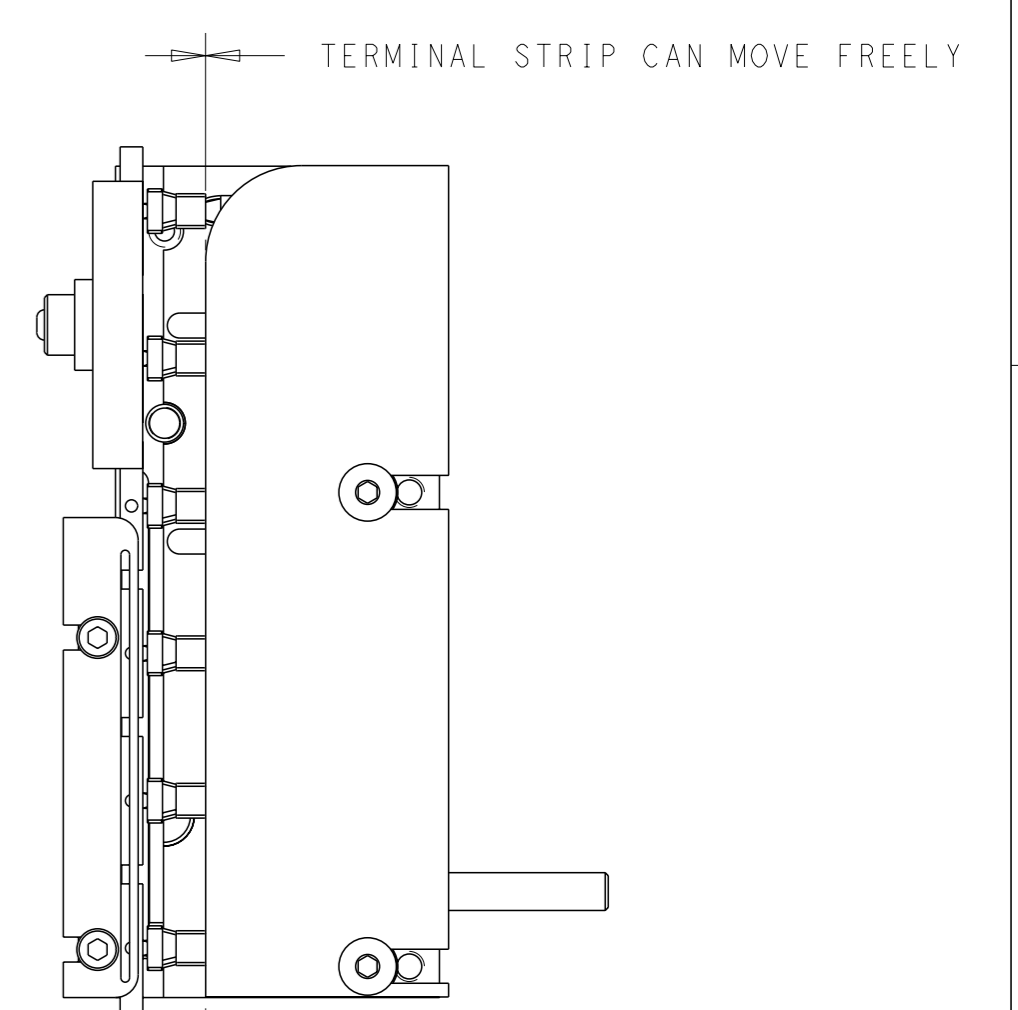
AIR FEED



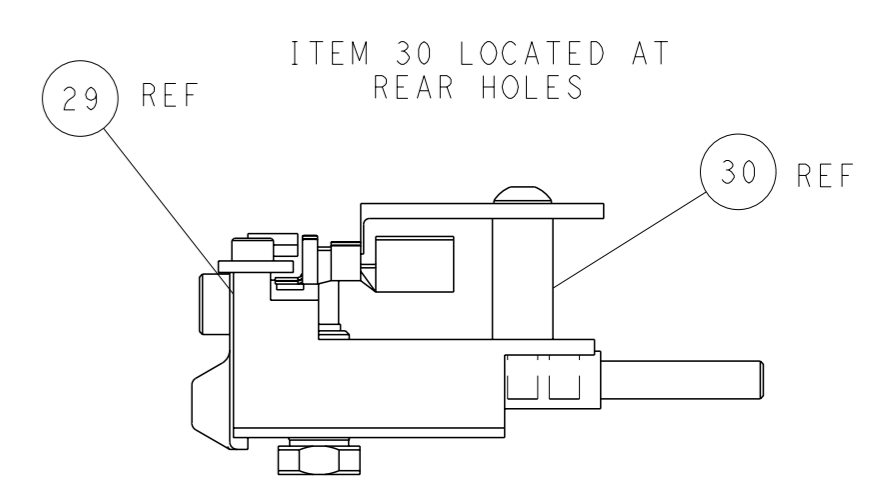
TERMINAL SUPPORT LOCATION



RAM SET-UP



TERMINAL STRIP CAN MOVE FREELY WITH A MINIMUM OF SIDE CLEARANCE



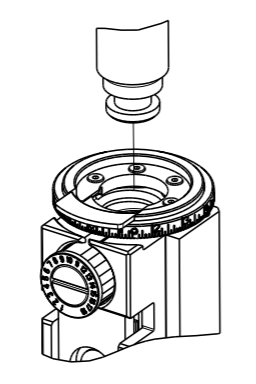
FEED TRACK POSITION GUIDE BY WIRE BARREL

**ATLANTIC VERSION**  
 Shown on sheets 1 of 4 & 2 of 4  
 (Pacific version shown on sheets 3 of 4 & 4 of 4)

|                                                                                                                                                                                                       |  |                                                                                                                                 |                                                         |                                              |
|-------------------------------------------------------------------------------------------------------------------------------------------------------------------------------------------------------|--|---------------------------------------------------------------------------------------------------------------------------------|---------------------------------------------------------|----------------------------------------------|
| <small>THIS DRAWING IS A CONTROLLED DOCUMENT FOR TYCO ELECTRONICS CORPORATION. IT IS SUBJECT TO CHANGE AND TO CONTROL AND ENGINEERING DISCRETION SHOULD BE CONTACTED FOR THE LATEST REVISION.</small> |  | OWN: R. KNEPPER<br>CHK: T. ELBIN<br>APVD: M. CLIFFORD                                                                           | 18JAN2012<br>18JAN2012<br>18JAN2012                     | TE Connectivity<br>Harrisburg, PA 17105-3608 |
| DIMENSIONS: mm<br>TOLERANCES UNLESS OTHERWISE SPECIFIED:<br>0 PLC ±<br>1 PLC ±<br>2 PLC ±<br>3 PLC ±<br>4 PLC ±<br>ANGLES FINISH ±                                                                    |  | NAME: Ocean Side Feed Applicator<br>PRODUCT SPEC:<br>APPLICATION SPEC:<br>SIZE: A1<br>CAGE CODE: 00779<br>DRAWING NO: C-2151605 | RESTRICTED TO:<br>SCALE: 1:2<br>SHEET: 2 of 4<br>REV: H | CUSTOMER ACCESSIBLE PRODUCTION DRAWING       |

| PART NUMBER | REVISION | DESCRIPTION              | FEED TYPE |
|-------------|----------|--------------------------|-----------|
| 2-2151605-2 | H        | FINE CRIMP HEIGHT ADJUST | PNEUMATIC |
| 7-2151605-7 | A        | CRIMP TOOLING KIT        | -         |

PACIFIC VERSION TERMINATOR INTERFACE ADAPTER



| APPLICATOR DATA                      |                |      |
|--------------------------------------|----------------|------|
| CRIMP                                | SIZE           | TYPE |
| WIRE                                 | 4.06 mm (.160) | F    |
| INSUL                                | 4.83 mm (.190) | F    |
| APPLICATOR INSTRUCTIONS<br>408-35042 |                |      |

| TERMINAL DATA: TE TERMINAL                        |             | TE CRIMP SPECIFICATION       |             |
|---------------------------------------------------|-------------|------------------------------|-------------|
| TERMINAL NAME: AMP MCP 6.3/4.8 K LITEALUM CONTACT |             |                              |             |
| WIRE STRIP LENGTH                                 |             | INSULATION DIAMETER RANGE    |             |
| 3.90-4.50 mm (.154-.177 IN)                       |             | Ø4.13-4.38 mm (.163-.172 IN) |             |
| TERMINAL APPLICATION SPECIFICATION                | 114-94204   | -                            | -           |
| TERMINALS APPLIED                                 |             |                              |             |
| TE TERMINAL                                       | TE TERMINAL | TE TERMINAL                  | TE TERMINAL |
| 2-2177840-1                                       |             |                              |             |

| WIRE SIZE | CRIMP HEIGHT mm [INCH]  | CRIMP HEIGHT REFERENCE SETTING |
|-----------|-------------------------|--------------------------------|
| 6.00mm2   | 2.10±0.04 [.0827±.0016] | 6.0                            |



- 1 RECOMMENDED SPARE PARTS
  - 2 REFER TO SUPPLIED INSTRUCTION SHEET FOR CLEANING, LUBRICATION AND STORAGE OF APPLICATOR.
  - 3 APPLY PART NUMBER 2-23419-6 LOCTITE TO THREADS OF ITEMS 99 & 242.
  - 4 CRIMP HEIGHT REFERENCE SETTING WAS THE SETTING USED WHEN THE APPLICATOR WAS QUALIFIED AT THE FACTORY. ADJUSTMENT MAY BE NECESSARY WHEN RUNNING APPLICATOR IN THE FIELD.
  - 5 TERMINAL PITCH NOT COMPATIBLE WITH MECHANICAL FEED.
  - 6 SET THE FINE CRIMP HEIGHT ADJUSTMENT HEAD TO PROPER CRIMP HEIGHT PRIOR TO TIGHTENING/LOCKING THE BRASS TIP SET SCREW, ITEM 99, AGAINST THE ADJUSTMENT BOLT THREADS.
7. APPLICATOR TO BE USED IN CONJUNCTION WITH LEADMAKER INTEGRATION KIT, P/N 2280475-1 FOR CLAMPING AND SENSING OF FEED TRACK.
  8. UNLESS SPECIFIED OTHERWISE TORQUE VALUES SHALL BE USED PER DOCUMENT, 101-35000.

**\*WARNING**  
 ON INSTALLATION, SET WIRE DISC TO CRIMP HEIGHT REFERENCE SETTING FOR LARGEST WIRE SIZE. CRIMP HEIGHT REFERENCE SETTINGS GREATER THAN THE VALUE SHOWN MAY CAUSE DAMAGE TO THE CRIMP TOOLING, REFER TO THE INSTRUCTION SHEET FOR PROPER SETUP AND ADJUSTMENTS.

**PACIFIC VERSION**  
 Shown on sheets 3 of 4 & 4 of 4  
 (Atlantic version shown on sheets 1 of 4 & 2 of 4)

| LOC | DIST | REVISIONS |     |             |      |     |      |
|-----|------|-----------|-----|-------------|------|-----|------|
| A   | 66   | #         | LT# | DESCRIPTION | DATE | OWN | APVD |
| -   | -    | -         | -   | SEE SHEET 1 | -    | -   | -    |

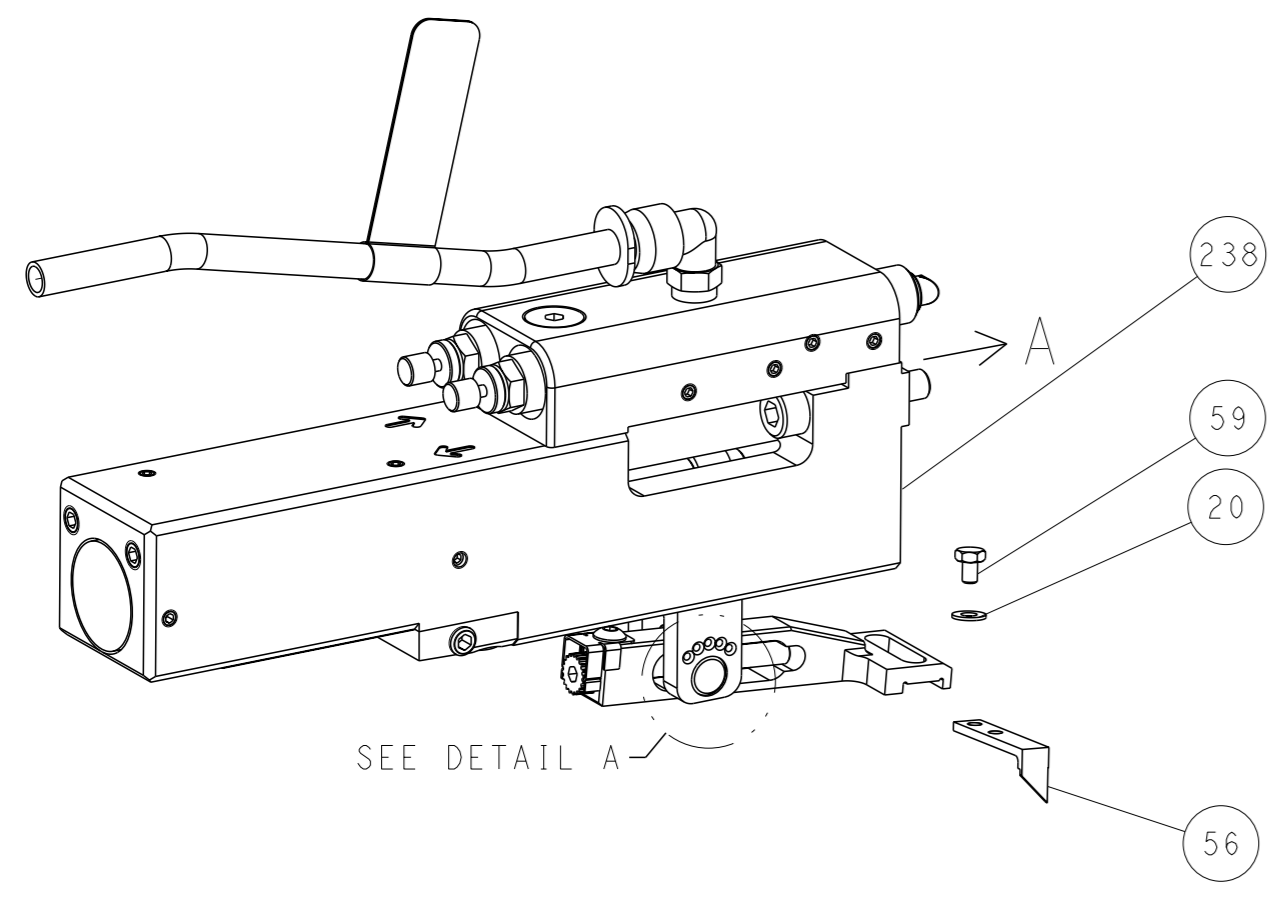
|     |     |             |                                     |         |
|-----|-----|-------------|-------------------------------------|---------|
| -   | 1   | 2-1722335-1 | THREAD BOLT GEWINDEBOLZEN           | 268     |
| -   | 1   | 2119082-3   | CAM, SNAIL, INSULATION ADJUSTMENT   | 244     |
| -   | 1   | 2079764-1   | WASHER, WAVE SPRING, CREST-TO-CREST | 243     |
| -   | 1   | 2119083-1   | RETAINER, INSULATION DIAL           | 242     |
| -   | 1   | 7-18023-7   | SCR, SKT HD CAP M3 X 4.0            | 241     |
| -   | 1   | 2844940-1   | AIR FEED MODULE                     | 238     |
| -   | REF | 994970-2    | COUNTER, MAGNETIC                   | 164     |
| -   | 1   | 2119641-2   | FEED CAM, AIR FEED                  | 151     |
| -   | 1   | 2168083-8   | SCR, SKT HD CAP, RoHS, M4 X 16      | 144     |
| -   | 4   | 2168083-9   | SCR, SKT HD CAP, RoHS, M4 X 20      | 143     |
| -   | 1   | 2-1803583-4 | APPLICATOR BASIC ASSEMBLY, SF       | 141     |
| -   | 1   | 1803516-1   | RAM ASSEMBLY, SF PACIFIC            | 140     |
| -   | 1   | 1-22281-8   | SPRING, COMPRESSION                 | 121     |
| -   | 1   | 1-18028-2   | WASHER, FLAT, REG M4                | 119     |
| -   | 1   | 2256587-1   | SCR, SET, SOFT TIP, M4              | 100     |
| -   | 1   | 2844908-1   | SCREW, LOCKING                      | 99      |
| -   | 1   | 2844907-1   | POST, LOCKING                       | 98      |
| -   | 1   | 1-690438-0  | FRONT STRIP GUIDE                   | 96      |
| -   | 2   | 2168083-1   | SCR, SKT HD CAP, RoHS, M3 X 8.0     | 95      |
| -   | 1   | 2168083-6   | SCR, SKT HD CAP, RoHS, M5 X 65      | 93      |
| -   | 1   | 1803607-3   | DOCUMENTATION PACKAGE               | 71      |
| -   | 1   | 2119740-1   | TAG, IDENTIFICATION                 | 67      |
| -   | 2   | 2168078-1   | SCREW, DRIVE, RH, RoHS, 2 x .188    | 66      |
| -   | 1   | 2-18032-5   | SCR, SET, FLT PNT, M5 X 20.0        | 61      |
| -   | 1   | 5-18022-5   | SCR, HEX HD CAP, M4 X 6.0           | 59      |
| -   | 1   | 1338685-1   | PAWL, FEED                          | 56      |
| -   | 2   | 2168083-8   | SCR, SKT HD CAP, RoHS, M4 X 16      | 53      |
| -   | 1   | 5018030-1   | NUT, HEX, REG, RoHS, M3             | 52      |
| -   | 1   | 811242-5    | BUMPER, HOLD DOWN                   | 51      |
| -   | 1   | 690753-2    | SPACER, TONKER                      | 50      |
| -   | 1   | 18023-9     | SCR, SKT HD CAP M4 X 6.0            | 49      |
| -   | 1   | 1803602-1   | SCR, BHSC, RoHS (M8 X 25)           | 41      |
| -   | 1   | 1-1752356-2 | SUPPORT, TERMINAL                   | 34      |
| -   | 2   | 2079383-5   | SCR, BHSC, RoHS (M4 X 20)           | 33      |
| -   | 2   | 3-2844962-3 | SPACER, CYLINDRICAL, STRIP GUIDE    | 30      |
| -   | 1   | 2844938-1   | PLATE, STRIP GUIDE                  | 29      |
| -   | 1   | 1-455888-0  | SPACER, CRIMPER                     | 28      |
| -   | 2   | 22283-1     | SPRING, COMPRESSION                 | 27      |
| -   | 1   | 356835-1    | LEVER, DRAG RELEASE                 | 26      |
| -   | 1   | 1803142-1   | DRAG, TERMINAL                      | 25      |
| -   | 1   | 1320928-2   | STRIP GUIDE                         | 24      |
| -   | 1   | 980371-4    | SCR, SKT HD SHLDR 5.0 DIA X 6.0     | 23      |
| -   | 1   | 2168083-2   | SCR, SKT HD CAP, RoHS, M4 X 8.0     | 21      |
| -   | 2   | 1-18028-2   | WASHER, FLAT, REG M4                | 20      |
| -   | 1   | 690472-2    | STRIPPER                            | 19      |
| -   | 1   | 2119806-1   | INSERT, SHEAR                       | 13      |
| -   | 1   | 3-22280-3   | SPRING, COMPRESSION                 | 12      |
| -   | 1   | 1-356885-4  | STOP, SHEAR                         | 11      |
| -   | 1   | 2119805-1   | SHEAR HOLDER, FRONT                 | 10      |
| -   | 1   | 1803095-6   | FLOATING SHEAR, FRONT -             | 9       |
| 1   | 1   | 2161316-4   | ANVIL, COMBINATION                  | 8       |
| -   | 1   | 2-240641-9  | SPACER                              | 7       |
| -   | -   | -           | -                                   | 6       |
| -   | 1   | 1-1722335-0 | SHEAR DEPRESSOR ASSEMBLY            | 5       |
| -   | 1   | 4-238011-5  | BLOCK, CRIMPER SPACER               | 4       |
| 1   | 1   | 1722335-9   | CRIMPER, INSULATION F               | 3       |
| -   | -   | -           | -                                   | 2       |
| 1   | 1   | 2217303-1   | CRIMPER, WIRE, CONICAL BLEND        | 1       |
| -77 | -22 | PART NO     | DESCRIPTION                         | ITEM NO |

|                                                                                                                                                                                                        |                                             |                                                                             |                                                                     |                                                                 |
|--------------------------------------------------------------------------------------------------------------------------------------------------------------------------------------------------------|---------------------------------------------|-----------------------------------------------------------------------------|---------------------------------------------------------------------|-----------------------------------------------------------------|
| <small>THE INFORMATION CONTAINED HEREON IS UNCLASSIFIED EXCEPT FOR THAT INFORMATION IDENTIFIED AS RESTRICTED TO CONTROL AND DISTRIBUTE INFORMATION WHICH BE CONTACTED FOR THE LATEST REVISION.</small> |                                             | OWN<br>R. KNEPPER<br>CHK<br>T. ELBIN<br>APVD<br>M. CLIFFORD<br>PRODUCT SPEC | 18JAN2012<br>18JAN2012<br>18JAN2012                                 | NAME<br><b>STE</b> TE Connectivity<br>Harrisburg, PA 17105-3608 |
| DIMENSIONS:<br>mm<br>0 PLC ±<br>1 PLC ±<br>2 PLC ±<br>3 PLC ±<br>4 PLC ±<br>ANGLES FINISH ±                                                                                                            | TOLERANCES UNLESS OTHERWISE SPECIFIED:<br>± | APPLICATION SPEC                                                            | SIZE<br>A1                                                          | CAGE CODE DRAWING NO<br>00779 ©=2151605                         |
| MATERIAL                                                                                                                                                                                               |                                             | WEIGHT                                                                      | Customer Accessible Production Drawing SCALE 1:2 SHEET 3 of 4 REV H |                                                                 |

| LOC | DIST | REVISIONS |             |     |      |
|-----|------|-----------|-------------|-----|------|
| A   | 66   | REV       | DATE        | OWN | APVD |
|     |      | 1         | SEE SHEET 1 |     |      |

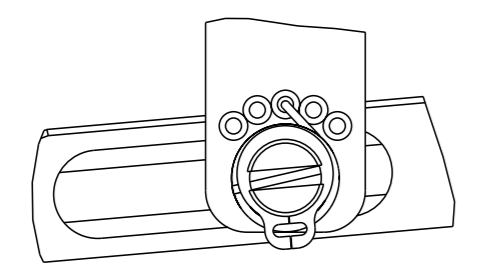
### FEED TYPE

#### PNEUMATIC



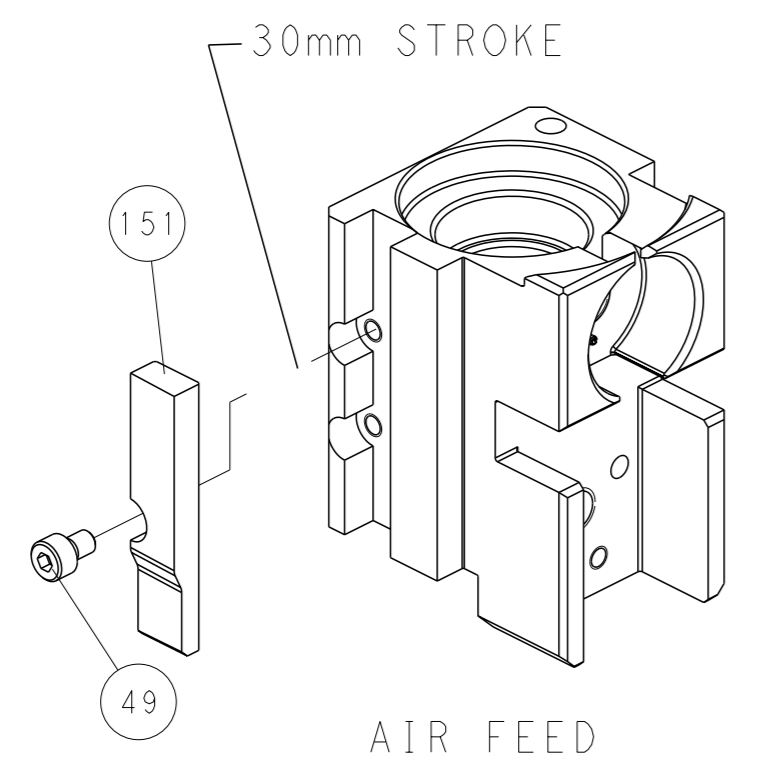
SEE DETAIL A

#### FEED SPRING SETTING POSITION (SHOWN FROM REAR SIDE)

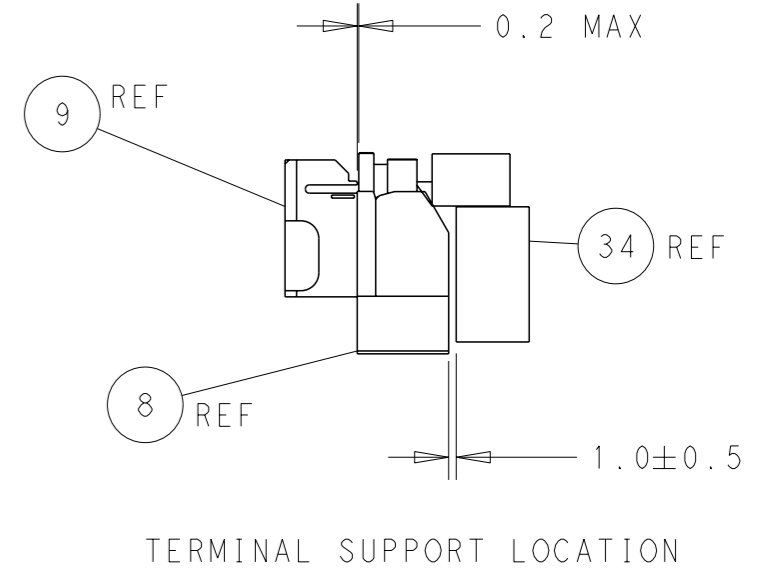
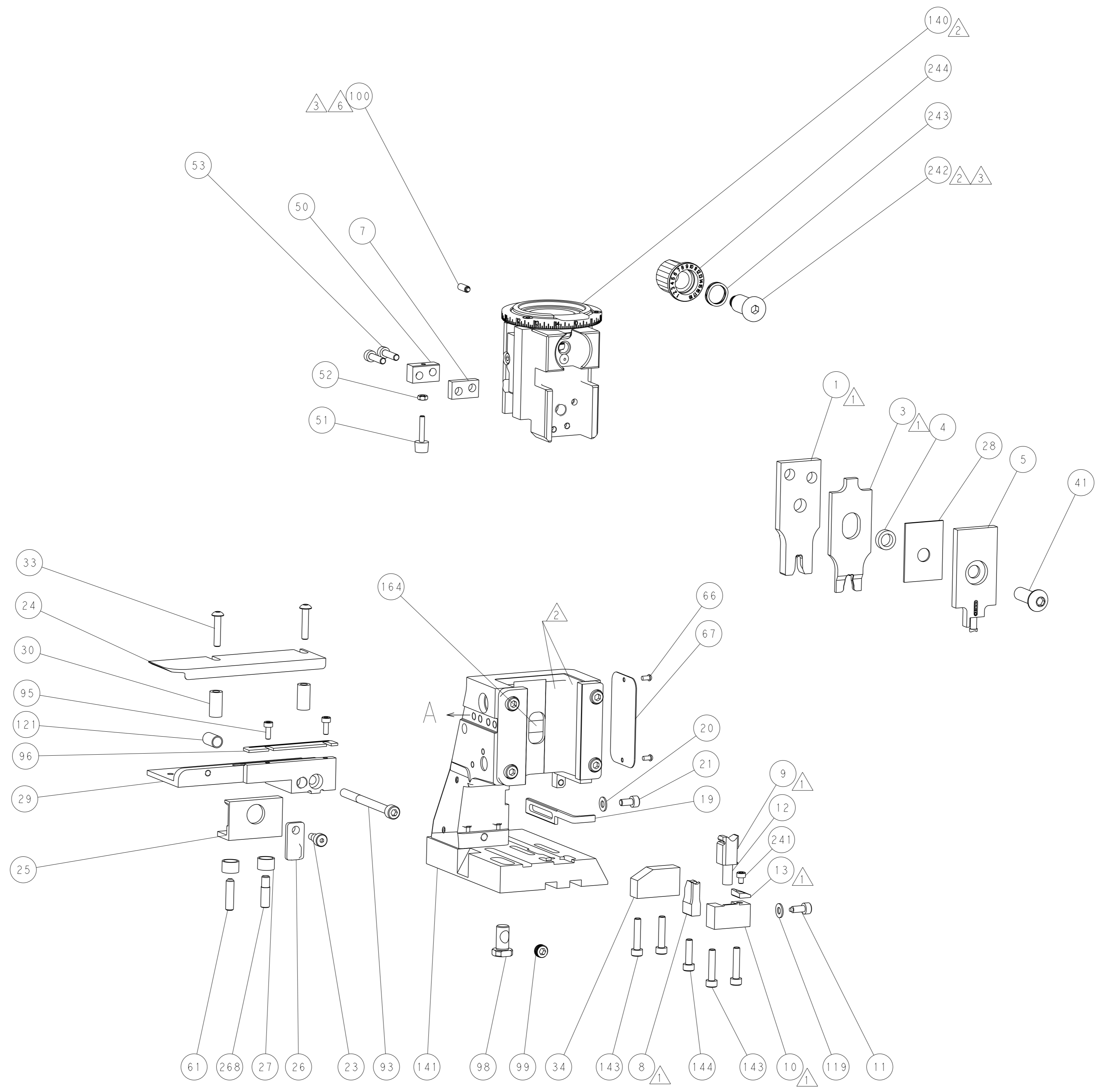


DETAIL A

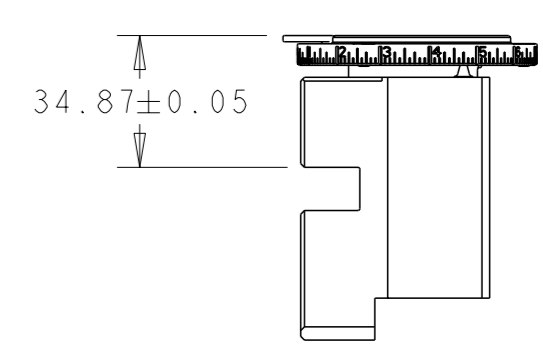
### CAM POSITION



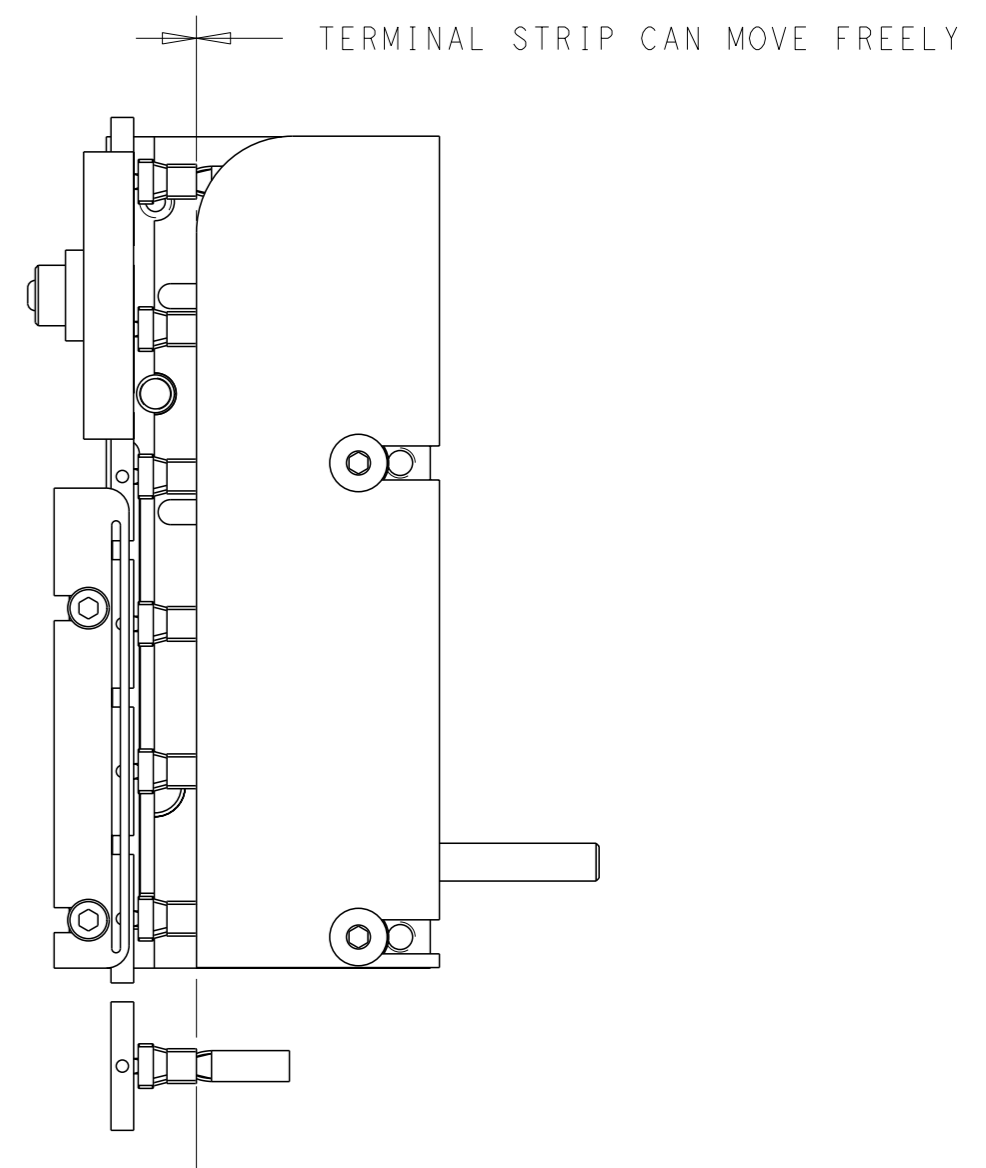
AIR FEED



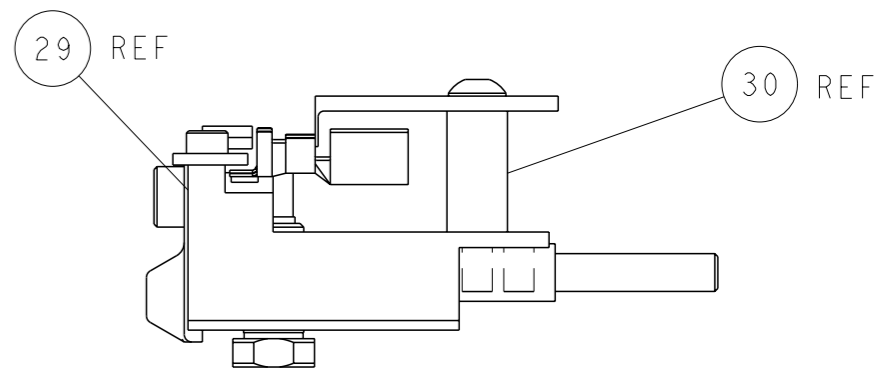
TERMINAL SUPPORT LOCATION



RAM SET-UP



ITEM 30 LOCATED AT REAR HOLES



FEED TRACK POSITION GUIDE BY WIRE BARREL

**PACIFIC VERSION**  
 Shown on sheets 3 of 4 & 4 of 4  
 (Atlantic version shown on sheets 1 of 4 & 2 of 4)

|                                                                                                                                                                                              |                                                          |                                                                                     |                                                    |
|----------------------------------------------------------------------------------------------------------------------------------------------------------------------------------------------|----------------------------------------------------------|-------------------------------------------------------------------------------------|----------------------------------------------------|
| <small>THIS DRAWING IS A CONTROLLED DOCUMENT FOR TYCO ELECTRONICS CORPORATION. IT IS SUBJECT TO CHANGE AND THE CONTROLLING ORGANIZATION SHOULD BE CONTACTED FOR THE LATEST REVISION.</small> |                                                          | DWN: R. KNEPPER 18JAN2012<br>CHK: T. ELBIN 18JAN2012<br>APVD: M. CLIFFORD 18JAN2012 | NAME: TE Connectivity<br>Harrisburg, PA 17105-3608 |
| DIMENSIONS: mm<br>TOLERANCES UNLESS OTHERWISE SPECIFIED:<br>0 PLC ±<br>1 PLC ±<br>2 PLC ±<br>3 PLC ±<br>4 PLC ±<br>ANGLES FINISH ±                                                           | PRODUCT SPEC<br>APPLICATION SPEC<br>WEIGHT<br>SCALE: 1:2 | SIZE: A1<br>CAGE CODE: 00779<br>DRAWING NO: 2151605<br>RESTRICTED TO: H             | SHEETS 1 & 2 ARE NOT REQUIRED FOR PACIFIC VERSION  |