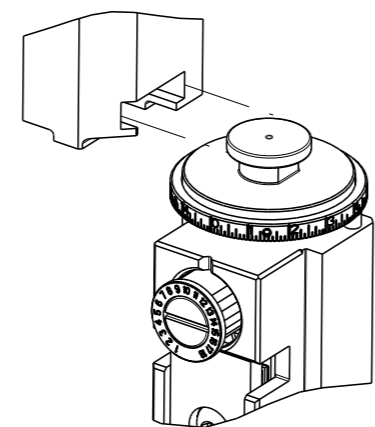


PART NUMBER	REVISION	DESCRIPTION	FEED TYPE
2150363-1	C	FINE CRIMP HEIGHT ADJUST	MECHANICAL
2150363-2	C	FINE CRIMP HEIGHT ADJUST	PNEUMATIC
7-2150363-1	C	MECHANICAL AND CRIMP TOOLING KIT	MECHANICAL
7-2150363-2	C	PNEUMATIC AND CRIMP TOOLING KIT	PNEUMATIC
7-2150363-7	A	CRIMP TOOLING KIT	-

ATLANTIC VERSION TERMINATOR INTERFACE ADAPTER



APPLICATOR DATA		
CRIMP	SIZE	TYPE
WIRE	2.54 mm [.100]	F
INSUL	4.57 mm [.180]	F

APPLICATOR INSTRUCTIONS 408-35043

TERMINAL DATA: TE TERMINAL TE CRIMP SPECIFICATION			
TERMINAL NAME: RING TERMINAL			
WIRE STRIP LENGTH	INSULATION DIAMETER RANGE		
5.50-6.50 mm [.217-.256 IN]	Ø2.54-3.56 mm [.100-.140 IN]		
TERMINAL APPLICATION SPECIFICATION (A) 114-5106	-		
TERMINALS APPLIED			
TE TERMINAL (A) 173635-1	TE TERMINAL (A) 173636-1	TE TERMINAL	TE TERMINAL

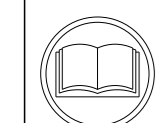
TERMINAL DATA: TE TERMINAL TE CRIMP SPECIFICATION			
TERMINAL NAME: RING TERMINAL			
WIRE STRIP LENGTH	INSULATION DIAMETER RANGE		
5.44-5.69 mm [.214-.224 IN]	Ø2.54-3.56 mm [.100-.140 IN]		
TERMINAL APPLICATION SPECIFICATION (B) 114-2084	-		
TERMINALS APPLIED			
TE TERMINAL (B) 61588-1	TE TERMINAL (B) 61436-2	TE TERMINAL (B) 61436-4	TE TERMINAL (B) 61436-1

TERMINAL DATA: TE TERMINAL TE CRIMP SPECIFICATION			
TERMINAL NAME: RING TERMINAL			
WIRE STRIP LENGTH	INSULATION DIAMETER RANGE		
5.44-5.69 mm [.214-.224 IN]	Ø2.54-3.56 mm [.100-.140 IN]		
TERMINAL APPLICATION SPECIFICATION	-		
TERMINALS APPLIED			
TE TERMINAL 61588-1	TE TERMINAL	TE TERMINAL	TE TERMINAL

WIRE SIZE	CRIMP HEIGHT mm [INCH]	CRIMP HEIGHT REFERENCE SETTING
16 AWG	2.06 +/- 0.05 [.081 +/- .002]	7.1
18 AWG	1.91 +/- 0.05 [.075 +/- .002]	8.7
20 AWG	1.80 +/- 0.05 [.071 +/- .002]	9.8
22 AWG	1.75 +/- 0.05 [.069 +/- .002]	10.5

WIRE SIZE	CRIMP HEIGHT mm [INCH]	CRIMP HEIGHT REFERENCE SETTING
16 AWG	2.11 +/- 0.05 [.083 +/- .002]	6.5
18 AWG	1.96 +/- 0.05 [.077 +/- .002]	8.1
20 AWG	1.85 +/- 0.05 [.073 +/- .002]	9.2
22 AWG	1.80 +/- 0.05 [.071 +/- .002]	9.8

WIRE SIZE	CRIMP HEIGHT mm [INCH]	CRIMP HEIGHT REFERENCE SETTING
2 x 0.50	2.06 +/- 0.05 [.081 +/- .002]	6.0
2 x 0.35	1.91 +/- 0.05 [.075 +/- .002]	8.6



- 1 RECOMMENDED SPARE PARTS
  - 2 REFER TO SUPPLIED INSTRUCTION SHEET FOR CLEANING, LUBRICATION AND STORAGE OF APPLICATOR.
  - 3 APPLY PART NUMBER 1-23419-5 LOCTITE TO THREADS OF ITEM 50. APPLY PART NUMBER 2-23419-6 LOCTITE TO THREADS OF ITEM 242.
  - 4 CRIMP HEIGHT REFERENCE SETTING WAS THE SETTING USED WHEN THE APPLICATOR WAS QUALIFIED AT THE FACTORY. ADJUSTMENT MAY BE NECESSARY WHEN RUNNING APPLICATOR IN THE FIELD.
  - 5 TERMINAL LUBRICANT IS RECOMMENDED.
  - 6 THIS CRIMP PARAMETER IS PROVIDED TO MEET A CUSTOM AND UNIQUE CUSTOMER REQUIREMENT. IT HAS BEEN EVALUATED AND IS CONDITIONALLY SPECIFIED BY TE CONNECTIVITY. THIS CUSTOMIZED CRIMP PARAMETER IS NOT LISTED AS AN APPROVED APPLICATION WITHIN A TE CONNECTIVITY APPLICATION SPECIFICATION; HOWEVER, IT HAS BEEN VALIDATED ACCORDING TO TE CONNECTIVITY SPECIFICATIONS 109-18079 (TEST GROUP 1) AND 114-18022. **TE CONNECTIVITY EXPRESSLY DISCLAIMS ANY AND ALL WARRANTIES THAT THE PRODUCT WILL PERFORM SIMILARLY TO VALIDATED AND APPROVED APPLICATIONS, AS STATED WITHIN TE CONNECTIVITY APPLICATION SPECIFICATIONS, INCLUDING BUT NOT LIMITED TO IMPLIED WARRANTIES OF MERCHANTABILITY OR FITNESS FOR PARTICULAR PURPOSE.** AS SUCH, IT IS HIGHLY RECOMMENDED THAT THE CUSTOMER PERFORM FURTHER DETAILED EVALUATION TO ASSESS PRODUCT PERFORMANCE IN THE SPECIFIC APPLICATION.
7. UNLESS SPECIFIED OTHERWISE TORQUE VALUES SHALL BE USED PER DOCUMENT, 101-35000.

**\*WARNING**  
ON INSTALLATION, SET WIRE DISC TO CRIMP HEIGHT REFERENCE SETTING FOR LARGEST WIRE SIZE. CRIMP HEIGHT REFERENCE SETTINGS GREATER THAN THE VALUE SHOWN MAY CAUSE DAMAGE TO THE CRIMP TOOLING, REFER TO THE INSTRUCTION SHEET FOR PROPER SETUP AND ADJUSTMENTS.

ATLANTIC VERSION  
Shown on sheets 1 of 4 & 2 of 4  
(Pacific version shown on sheets 3 of 4 & 4 of 4)

LOC	DIST	REVISIONS					
		P	LY#	DESCRIPTION	DATE	OWN	APVD
A	66	C		ECR-19-006510	24APR2019	JAH	TE

-	1	-	1	-	2119640-1	PUSH ROD, AIR FEED	250
-	1	-	1	-	1803259-1	BUSHING, FLANGED	249
-	1	-	1	-	2119641-1	FEED CAM, AIR FEED	248
-	1	1	1	1	2119082-9	CAM, SNAIL, INSULATION ADJUSTMENT	244
-	1	1	1	1	2079764-1	WASHER, WAVE SPRING, CREST-TO-CREST	243
-	1	1	1	1	2119083-1	RETAINER, INSULATION DIAL	242
-	-	1	-	-	2119580-1	MECHANICAL FEED ASSEMBLY	239
-	1	-	1	-	2063440-1	AIR FEED MODULE	238
-	2	2	2	2	1-2079383-0	SCR, BHSC, RoHS (M3 X 6)	230
-	1	1	1	1	1-18028-0	WASHER, FLAT, REG M8	192
-	1	1	1	1	3-1976053-1	LOCATER BLOCK, TERMINAL	179
-	1	1	1	1	6-993111-6	PIN, SLOTTED SPRING 3.0 X 14.0	177
-	1	1	1	1	8-22280-7	SPRING, COMPRESSION	176
-	1	1	1	1	1752353-2	GUIDE PIN, HOLDDOWN	175
-	1	1	1	1	1901680-2	GUIDE PIN, HOLDDOWN	174
-	2	-	2	-	21045-3	RING, RETAIN, EXTERN, 3/16 CRESCENT	172
-	REF	REF	REF	REF	994970-2	COUNTER, MAGNETIC	164
-	1	-	1	-	240638-1	SPRING, FEED FINGER	163
-	1	-	1	-	3-23627-7	PIN, RETAIN, GRVD, 3/16 X .854	137
-	1	1	1	1	2119955-2	ASSY, LUBRICATOR, END FEED	84
-	1	1	1	1	455888-4	SPACER, CRIMPER	82
-	1	1	1	1	2119791-5	DEPRESSOR, WIRE	73
-	1	1	1	1	1803607-2	DOCUMENTATION PACKAGE	71
-	2	2	2	2	2-18032-2	SCR, SET, FLT PNT, M3 X 10.0	70
-	1	1	1	1	2119740-1	TAG, IDENTIFICATION	67
-	2	2	2	2	2168078-1	SCREW, DRIVE, RH, RoHS, 2 x .188	66
-	1	1	1	1	2-1901681-3	HOLDDOWN, TERMINAL	65
-	1	1	1	1	2168083-2	SCR, SKT HD CAP, RoHS, M4 X 8.0	60
-	-	1	-	-	5-18022-5	SCR, HEX HD CAP, M4 X 6.0	59
-	-	1	-	-	2063961-1	FEED FINGER	58
-	4	4	4	4	2168400-4	SHCS, LOW HEAD, RoHS, M4 X 8	57
-	2	2	2	2	1-2168083-0	SCR, SKT HD CAP, RoHS, M4 X 10	56
-	2	2	2	2	5018030-1	NUT, HEX, REG, RoHS, M3	54
-	2	2	2	2	986965-8	NUT, LOCK, HEX, TORQUE (M4)	53
-	1	1	1	1	1-5018030-0	NUT, HEX, REG, RoHS, M3.5	52
-	1	-	1	-	2119792-2	PAWL, EF, AIR	51
-	1	1	1	1	1-1976055-0	STANDOFF, HOLD-DOWN	50
-	1	2	1	2	18023-9	SCR, SKT HD CAP M4 X 6.0	49
-	-	1	-	-	2119652-1	FEED CAM, PRE FEED	48
-	-	1	-	-	2119653-1	FEED CAM, POST FEED	47
-	1	1	1	1	2119655-5	APPLICATOR BASIC ASSEMBLY, EF	46
-	1	1	1	1	1803517-1	RAM ASSEMBLY, EF ATLANTIC	44
-	1	1	1	1	1803602-1	SCR, BHSC, RoHS (M8 X 25)	41
-	8	8	8	8	1-18028-2	WASHER, FLAT, REG M4	33
-	2	2	2	2	2168083-9	SCR, SKT HD CAP, RoHS, M4 X 20	31
-	2	2	2	2	2168083-2	SCR, SKT HD CAP, RoHS, M4 X 8.0	29
-	1	1	1	1	240639-1	STRIPPER (MACHINING)	27
-	2	2	2	2	1-2168083-5	SCR, SKT HD CAP, RoHS, M4 X 30	25
-	1	1	1	1	1752371-5	PLATE, STRIP GUIDE	24
-	2	2	2	2	2-22281-3	SPRING, COMPRESSION	22
-	1	1	1	1	1803292-4	DRAG	20
-	1	1	1	1	2-1901696-1	STRIP GUIDE, REAR	19
-	1	1	1	1	2-1901695-1	STRIP GUIDE, FRONT	18
-	4	4	4	4	1-2079383-1	SCR, BHSC, RoHS (M6 X 12)	17
-	1	1	1	1	1752360-1	SPACER, HOLD-DOWN	13
-	1	1	1	1	240833-7	PLATE, REAR SHEAR	11
-	-	-	-	-	-	-	10
-	1	1	1	1	690496-6	PLATE, FRONT SHEAR	9
-	1	2	2	1	1333218-6	ANVIL, COMBINATION	8
-	1	1	1	1	2217206-1	BLADE, SLUG	7
-	-	-	-	-	-	-	6
-	1	1	1	1	1-240641-4	SPACER	5
-	1	1	1	1	238011-2	BLOCK, CRIMPER SPACER	4
-	1	2	2	1	4-1633962-1	CRIMPER, INSULATION F PREMIUM	3
-	1	1	1	1	455888-1	SPACER, CRIMPER	2
-	1	2	2	1	2-456407-5	CRIMPER, WIRE PREMIUM	1

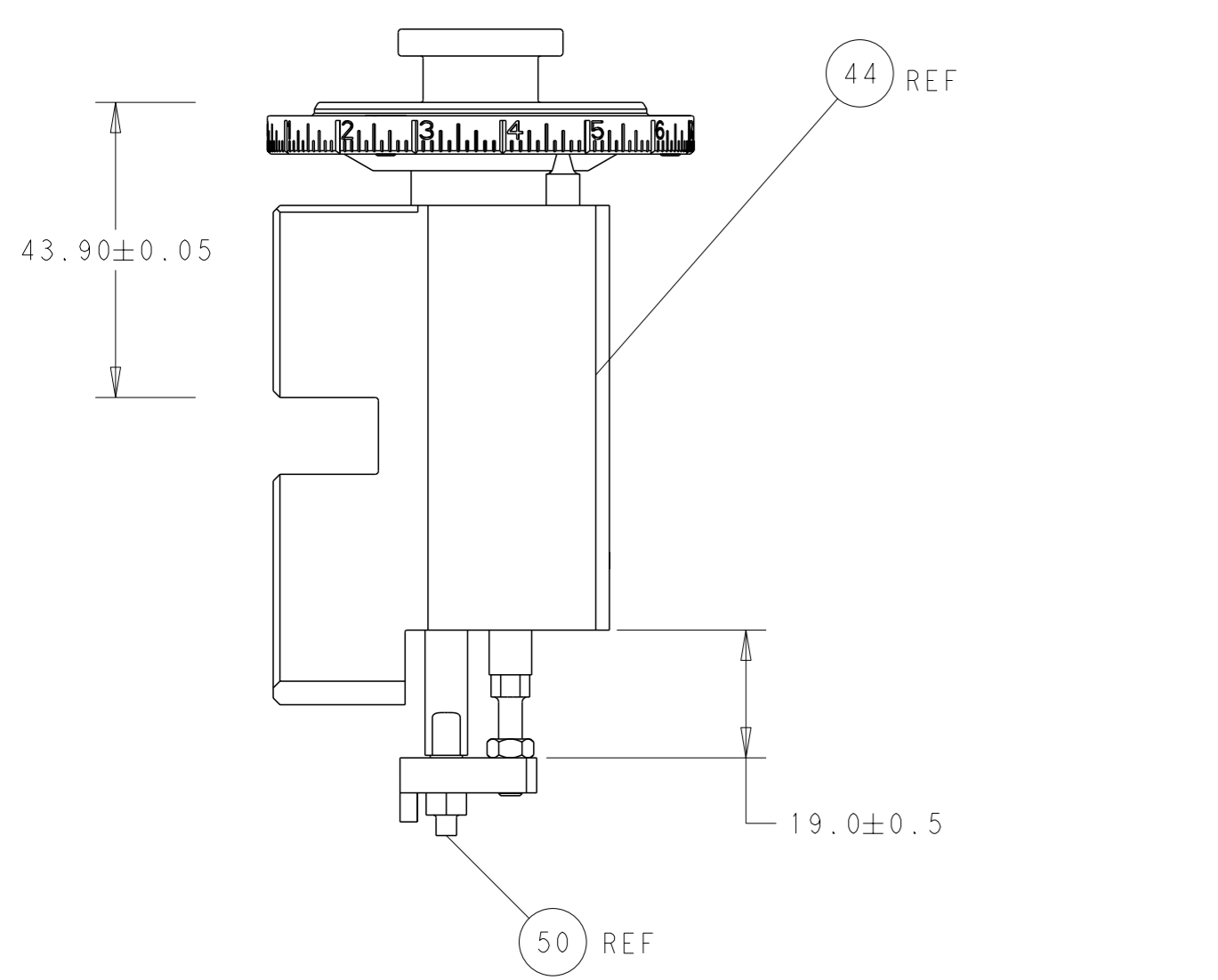
DIMENSIONS:		TOLERANCES UNLESS OTHERWISE SPECIFIED:		DRAWING NO.		RESTRICTED TO	
mm	0 PLC ±	1 PLC ±	2 PLC ±	3 PLC ±	4 PLC ±	5 PLC ±	6 PLC ±
	ANGLES FINISH	-		-		-	
MATERIAL		FINISH		WEIGHT		SCALE	
-		-		-		1:1	

DATE	BY	CHK	APPV	NAME
20AUG2013	HOFFNER	T. ELBIN	T. ELBIN	TE Connectivity
21AUG2013	T. ELBIN	T. ELBIN	T. ELBIN	Harrisburg, PA 17105-3608
21AUG2013	T. ELBIN	T. ELBIN	T. ELBIN	Ocean End Feed Applicator

SIZE	CAGE CODE	DRAWING NO.	RESTRICTED TO
A1	00779	2150363	C

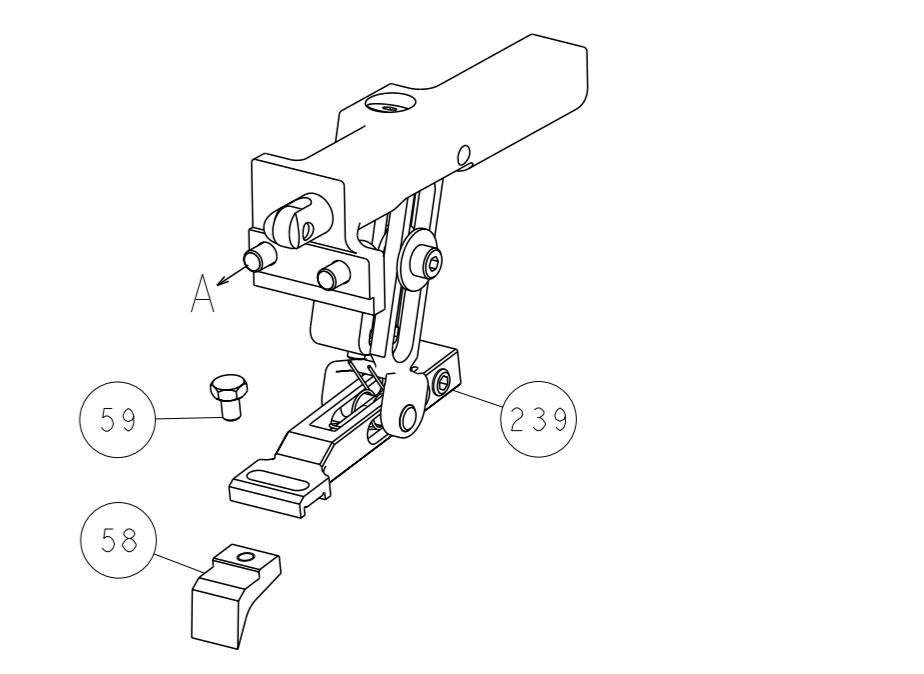
CUSTOMER ACCESSIBLE PRODUCTION DRAWING

LOC	DIST	REV	DESCRIPTION	DATE	OWN	APVD
A	66		SEE SHEET 1			

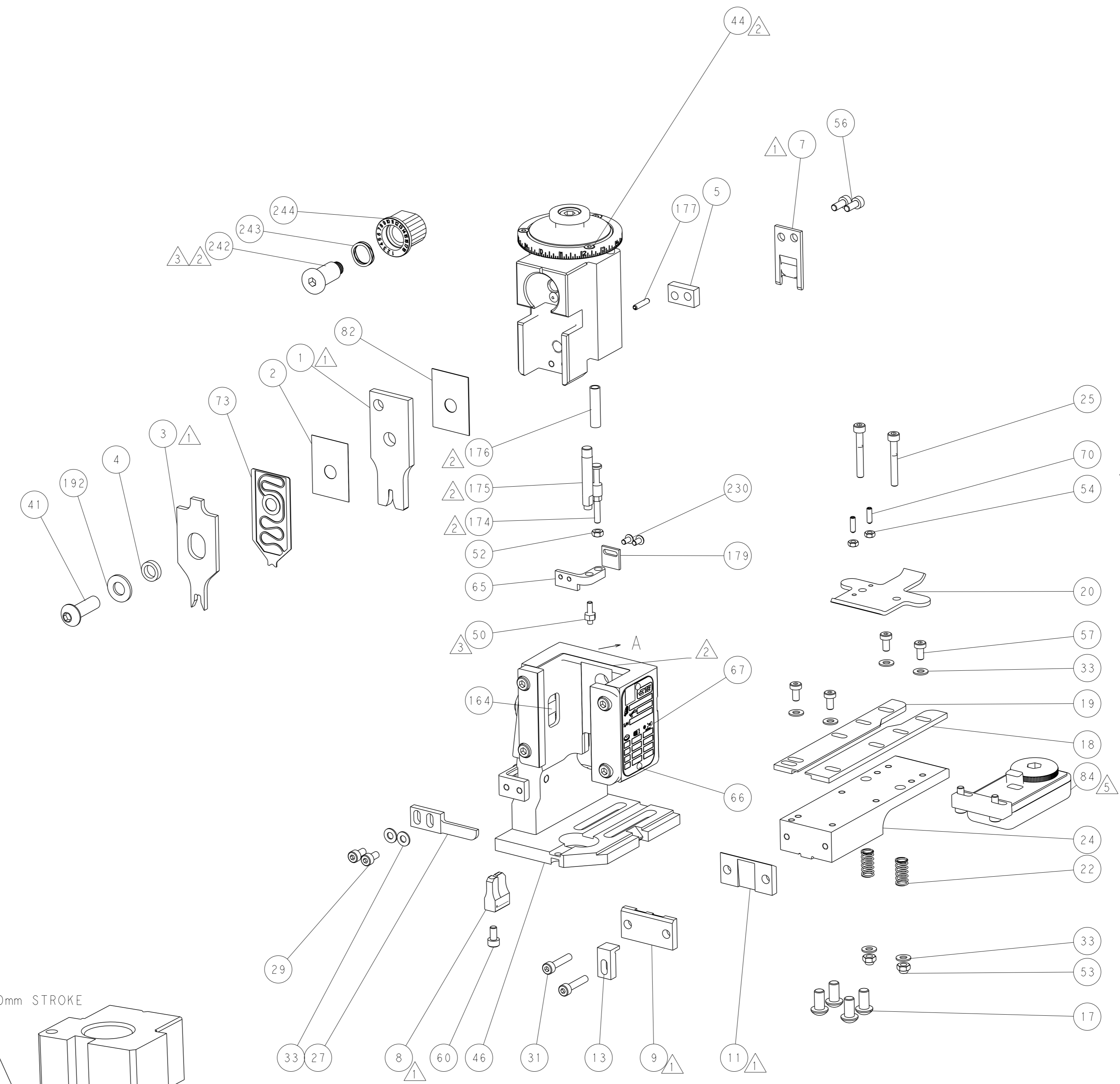
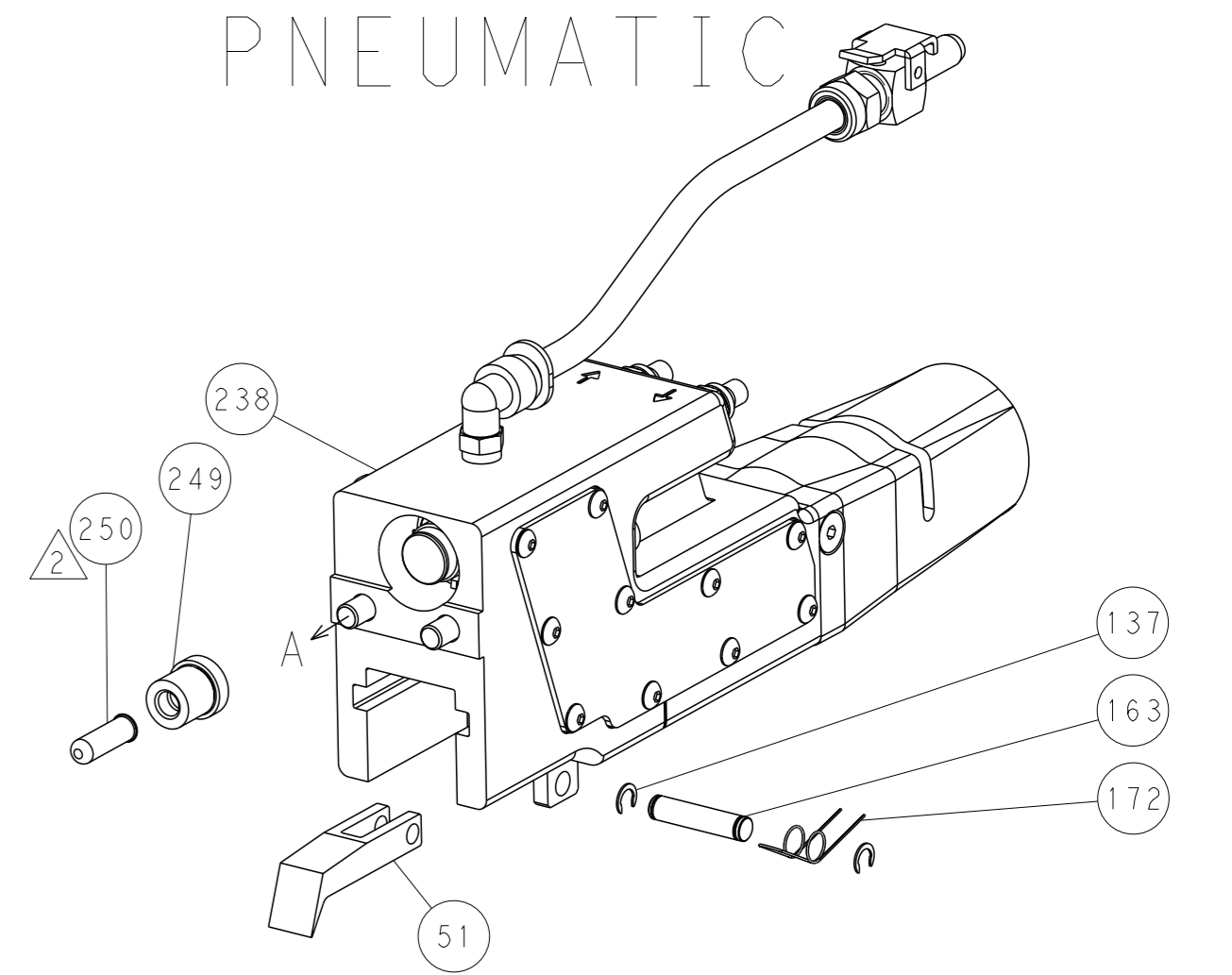


RAM AND HOLDDOWN SET-UP

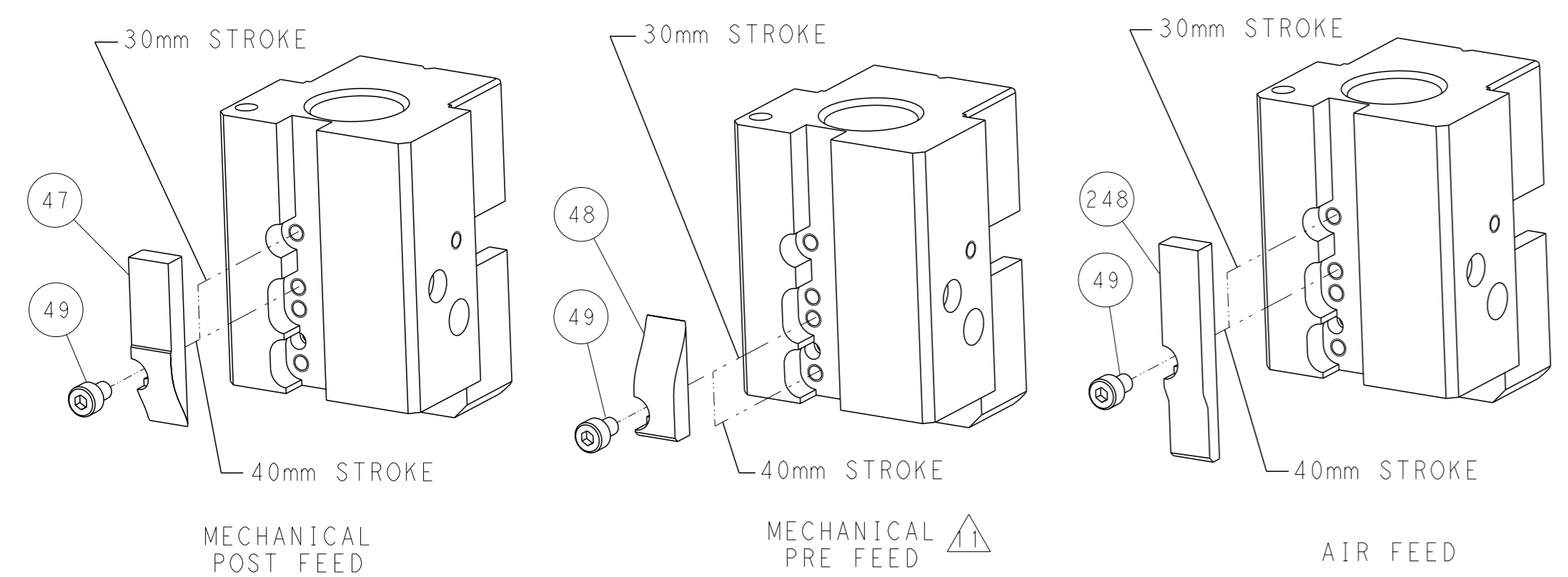
FEED TYPE  
MECHANICAL



PNEUMATIC



CAM POSITIONS

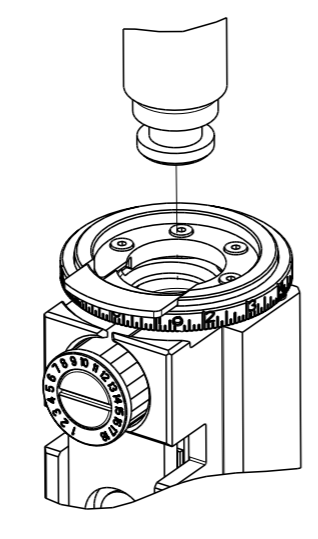


ATLANTIC VERSION  
 Shown on sheets 1 of 4 & 2 of 4  
 (Pacific version shown on sheets 3 of 4 & 4 of 4)

<small>THIS DRAWING IS UNPUBLISHED. RELEASED FOR PUBLICATION BY TYCO ELECTRONICS CORPORATION. ALL RIGHTS RESERVED.</small>		OWN: HOFFNER CDR: T. ELBIN APVD: T. ELBIN PRODUCT SPEC: - APPLICATION SPEC: - WEIGHT: - CUSTOMER ACCESSIBLE PRODUCTION DRAWING: -	20AUG2013 21AUG2013 21AUG2013 NAME: Ocean End Feed Applicator SIZE: A1 CAGE CODE: 00779 DRAWING NO: C-2150363 SCALE: 1:1 SHEET: 2 of 4 REV: C	TE Connectivity Harrisburg, PA 17105-3608
--	--	---	--	--

PART NUMBER	REVISION	DESCRIPTION	FEED TYPE
2-2150363-1	C	FINE CRIMP HEIGHT ADJUST	MECHANICAL
2-2150363-2	C	FINE CRIMP HEIGHT ADJUST	PNEUMATIC
7-2150363-7	A	CRIMP TOOLING KIT	-

PACIFIC VERSION TERMINATOR  
 INTERFACE ADAPTER



APPLICATOR DATA

CRIMP	SIZE	TYPE
WIRE	2.54 mm [.100]	F
INSUL	4.57 mm [.180]	F

APPLICATOR INSTRUCTIONS  
 408-35043

TERMINAL DATA: TE TERMINAL TE CRIMP SPECIFICATION

TERMINAL NAME: RING TERMINAL

WIRE STRIP LENGTH	INSULATION DIAMETER RANGE
5.50-6.50 mm [.217-.256 IN]	Ø2.54-3.56 mm [.100-.140 IN]

TERMINAL APPLICATION SPECIFICATION (A) 114-5106

TERMINALS APPLIED 5

TE TERMINAL	TE TERMINAL	TE TERMINAL	TE TERMINAL
(A) 173635-1	(A) 173636-1		

TERMINAL DATA: TE TERMINAL TE CRIMP SPECIFICATION

TERMINAL NAME: RING TERMINAL

WIRE STRIP LENGTH	INSULATION DIAMETER RANGE
5.44-5.69 mm [.214-.224 IN]	Ø2.54-3.56 mm [.100-.140 IN]

TERMINAL APPLICATION SPECIFICATION (B) 114-2084

TERMINALS APPLIED 5

TE TERMINAL	TE TERMINAL	TE TERMINAL	TE TERMINAL
(B) 61588-1	(B) 61436-2	(B) 61436-4	
(B) 61436-1	(B) 61436-3	(B) 61556-1	

TERMINAL DATA: TE TERMINAL TE CRIMP SPECIFICATION

TERMINAL NAME: RING TERMINAL

WIRE STRIP LENGTH	INSULATION DIAMETER RANGE
5.44-5.69 mm [.214-.224 IN]	Ø2.54-3.56 mm [.100-.140 IN]

TERMINAL APPLICATION SPECIFICATION 6

TERMINALS APPLIED 5

TE TERMINAL	TE TERMINAL	TE TERMINAL	TE TERMINAL
61588-1			

WIRE SIZE	CRIMP HEIGHT mm [INCH]	CRIMP HEIGHT REFERENCE SETTING 4
16 AWG	2.06+/-0.05 [.081+/- .002]	7.1
18 AWG	1.91+/-0.05 [.075+/- .002]	8.7
20 AWG	1.80+/-0.05 [.071+/- .002]	9.8
22 AWG	1.75+/-0.05 [.069+/- .002]	10.5

WIRE SIZE	CRIMP HEIGHT mm [INCH]	CRIMP HEIGHT REFERENCE SETTING 4
16 AWG	2.11+/-0.05 [.083+/- .002]	6.5
18 AWG	1.96+/-0.05 [.077+/- .002]	8.1
20 AWG	1.85+/-0.05 [.073+/- .002]	9.2
22 AWG	1.80+/-0.05 [.071+/- .002]	9.8

WIRE SIZE	CRIMP HEIGHT mm [INCH]	CRIMP HEIGHT REFERENCE SETTING 4
2 x 0.50	2.06+/-0.05 [.081+/- .002]	6.0
2 x 0.35	1.91+/-0.05 [.075+/- .002]	8.6



- 1 RECOMMENDED SPARE PARTS
- 2 REFER TO SUPPLIED INSTRUCTION SHEET FOR CLEANING, LUBRICATION AND STORAGE OF APPLICATOR.
- 3 APPLY PART NUMBER 1-23419-5 LOCTITE TO THREADS OF ITEM 50. APPLY PART NUMBER 2-23419-6 LOCTITE TO THREADS OF ITEM 242.
- 4 CRIMP HEIGHT REFERENCE SETTING WAS THE SETTING USED WHEN THE APPLICATOR WAS QUALIFIED AT THE FACTORY. ADJUSTMENT MAY BE NECESSARY WHEN RUNNING APPLICATOR IN THE FIELD.
- 5 TERMINAL LUBRICANT IS RECOMMENDED.
- 6 THIS CRIMP PARAMETER IS PROVIDED TO MEET A CUSTOM AND UNIQUE CUSTOMER REQUIREMENT. IT HAS BEEN EVALUATED AND IS CONDITIONALLY SPECIFIED BY TE CONNECTIVITY. THIS CUSTOMIZED CRIMP PARAMETER IS NOT LISTED AS AN APPROVED APPLICATION WITHIN A TE CONNECTIVITY APPLICATION SPECIFICATION; HOWEVER, IT HAS BEEN VALIDATED ACCORDING TO TE CONNECTIVITY SPECIFICATIONS 109-18079 (TEST GROUP 1) AND 114-18022. **TE CONNECTIVITY EXPRESSLY DISCLAIMS ANY AND ALL WARRANTIES THAT THE PRODUCT WILL PERFORM SIMILARLY TO VALIDATED AND APPROVED APPLICATIONS, AS STATED WITHIN TE CONNECTIVITY APPLICATION SPECIFICATIONS, INCLUDING BUT NOT LIMITED TO IMPLIED WARRANTIES OF MERCHANTABILITY OR FITNESS FOR PARTICULAR PURPOSE.** AS SUCH, IT IS HIGHLY RECOMMENDED THAT THE CUSTOMER PERFORM FURTHER DETAILED EVALUATION TO ASSESS PRODUCT PERFORMANCE IN THE SPECIFIC APPLICATION.

**\*WARNING**  
 ON INSTALLATION, SET WIRE DISC TO CRIMP HEIGHT REFERENCE SETTING FOR LARGEST WIRE SIZE. CRIMP HEIGHT REFERENCE SETTINGS GREATER THAN THE VALUE SHOWN MAY CAUSE DAMAGE TO THE CRIMP TOOLING, REFER TO THE INSTRUCTION SHEET FOR PROPER SETUP AND ADJUSTMENTS.

7. UNLESS SPECIFIED OTHERWISE TORQUE VALUES SHALL BE USED PER DOCUMENT, 101-35000.

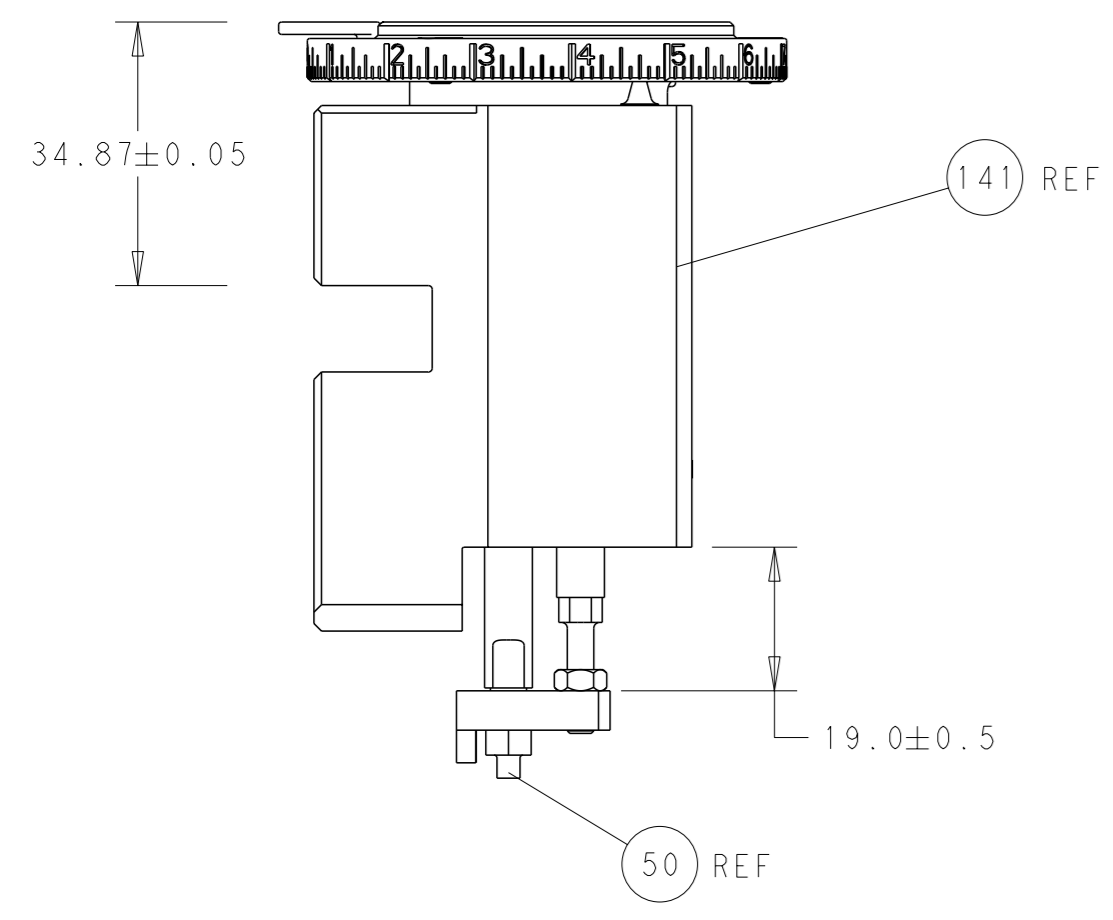
LOC	DIST	REV	DATE	BY	APPV
A	66				

REV	DATE	BY	APPV	DESCRIPTION	ITEM NO	
-	1	-		2119640-1	PUSH ROD, AIR FEED	250
-	1	-		1803259-1	BUSHING, FLANGED	249
-	1	1		2119082-9	CAM, SNAIL, INSULATION ADJUSTMENT	244
-	1	1		2079764-1	WASHER, WAVE SPRING, CREST-TO-CREST	243
3	-	1		2119083-1	RETAINER, INSULATION DIAL	242
-	-	1		2119580-1	MECHANICAL FEED ASSEMBLY	239
-	1	-		2063440-1	AIR FEED MODULE	238
-	2	2		1-2079383-0	SCR, BHSC, RoHS (M3 X 6)	230
-	1	1		1-18028-0	WASHER, FLAT, REG M8	192
-	4	4		2079383-9	SCR, BHSC, RoHS (M6 X 20)	186
-	1	1		3-1976053-1	LOCATER BLOCK, TERMINAL	179
-	1	1		6-993111-6	PIN, SLOTTED SPRING 3.0 X 14.0	177
-	1	1		8-22280-7	SPRING, COMPRESSION	176
-	1	1		1752353-2	GUIDE PIN, HOLDDOWN	175
-	1	1		1901680-2	GUIDE PIN, HOLDDOWN	174
-	2	-		21045-3	RING, RETAIN, EXTERN, 3/16 CRESCENT	172
-	REF REF			994970-2	COUNTER, MAGNETIC	164
-	1	-		240638-1	SPRING, FEED FINGER	163
-	1	-		2119641-2	FEED CAM, AIR FEED	152
-	1	1		2168083-8	SCR, SKT HD CAP, RoHS, M4 X 16	144
-	-	1		2119653-2	FEED CAM, POST FEED	142
-	1	1		2119655-6	APPLICATOR BASIC ASSEMBLY, EF	141
-	1	1		1803518-1	RAM ASSEMBLY, EF PACIFIC	140
-	1	-		3-23627-7	PIN, RETAIN, GRVD, 3/16 X .854	137
5	-	1		2119955-2	ASSY, LUBRICATOR, END FEED	84
-	1	1		455888-4	SPACER, CRIMPER	82
-	1	1		2119791-5	DEPRESSOR, WIRE	73
-	1	1		1803607-2	DOCUMENTATION PACKAGE	71
-	2	2		2-18032-2	SCR, SET, FLT PNT, M3 X 10.0	70
-	1	1		2119740-1	TAG, IDENTIFICATION	67
-	2	2		2168078-1	SCREW, DRIVE, RH, RoHS, 2 x .188	66
-	1	1		2-1901681-3	HOLDDOWN, TERMINAL	65
-	-	1		5-18022-5	SCR, HEX HD CAP, M4 X 6.0	59
-	-	1		2063961-1	FEED FINGER	58
-	4	4		2168400-4	SHCS, LOW HEAD, RoHS, M4 X 8	57
-	2	2		1-2168083-0	SCR, SKT HD CAP, RoHS, M4 X 10	56
-	2	2		5018030-1	NUT, HEX, REG, RoHS, M3	54
-	2	2		986965-8	NUT, LOCK, HEX, TORQUE (M4)	53
-	1	1		1-5018030-0	NUT, HEX, REG, RoHS, M3.5	52
-	1	-		2119792-2	PAWL, EF, AIR	51
3	-	1		1-1976055-0	STANDOFF, HOLD-DOWN	50
-	1	2		18023-9	SCR, SKT HD CAP M4 X 6.0	49
-	-	1		2119652-1	FEED CAM, PRE FEED	48
-	1	1		1803602-1	SCR, BHSC, RoHS (M8 X 25)	41
-	8	8		1-18028-2	WASHER, FLAT, REG M4	33
-	2	2		2168083-9	SCR, SKT HD CAP, RoHS, M4 X 20	31
-	2	2		2168083-2	SCR, SKT HD CAP, RoHS, M4 X 8.0	29
-	1	1		240639-1	STRIPPER (MACHINING)	27
-	2	2		1-2168083-5	SCR, SKT HD CAP, RoHS, M4 X 30	25
-	1	1		1752371-5	PLATE, STRIP GUIDE	24
-	2	2		2-22281-3	SPRING, COMPRESSION	22
-	1	1		1803292-4	DRAG	20
-	1	1		2-1901696-1	STRIP GUIDE, REAR	19
-	1	1		2-1901695-1	STRIP GUIDE, FRONT	18
-	1	1		1752360-1	SPACER, HOLD-DOWN	13
1	-	1		240833-7	PLATE, REAR SHEAR	11
-	-	-		-	-	10
1	-	1		690496-6	PLATE, FRONT SHEAR	9
1	1	1		1333218-6	ANVIL, COMBINATION	8
1	-	1		2217206-1	BLADE, SLUG	7
-	-	-		-	-	6
-	1	1		1-240641-4	SPACER	5
-	1	1		238011-2	BLOCK, CRIMPER SPACER	4
1	1	1		4-1633962-1	CRIMPER, INSULATION F PREMIUM	3
-	1	1		455888-1	SPACER, CRIMPER	2
1	1	1		2-456407-5	CRIMPER, WIRE PREMIUM	1

PACIFIC VERSION  
 Shown on sheets 3 of 4 & 4 of 4  
 (Atlantic version shown on sheets 1 of 4 & 2 of 4)

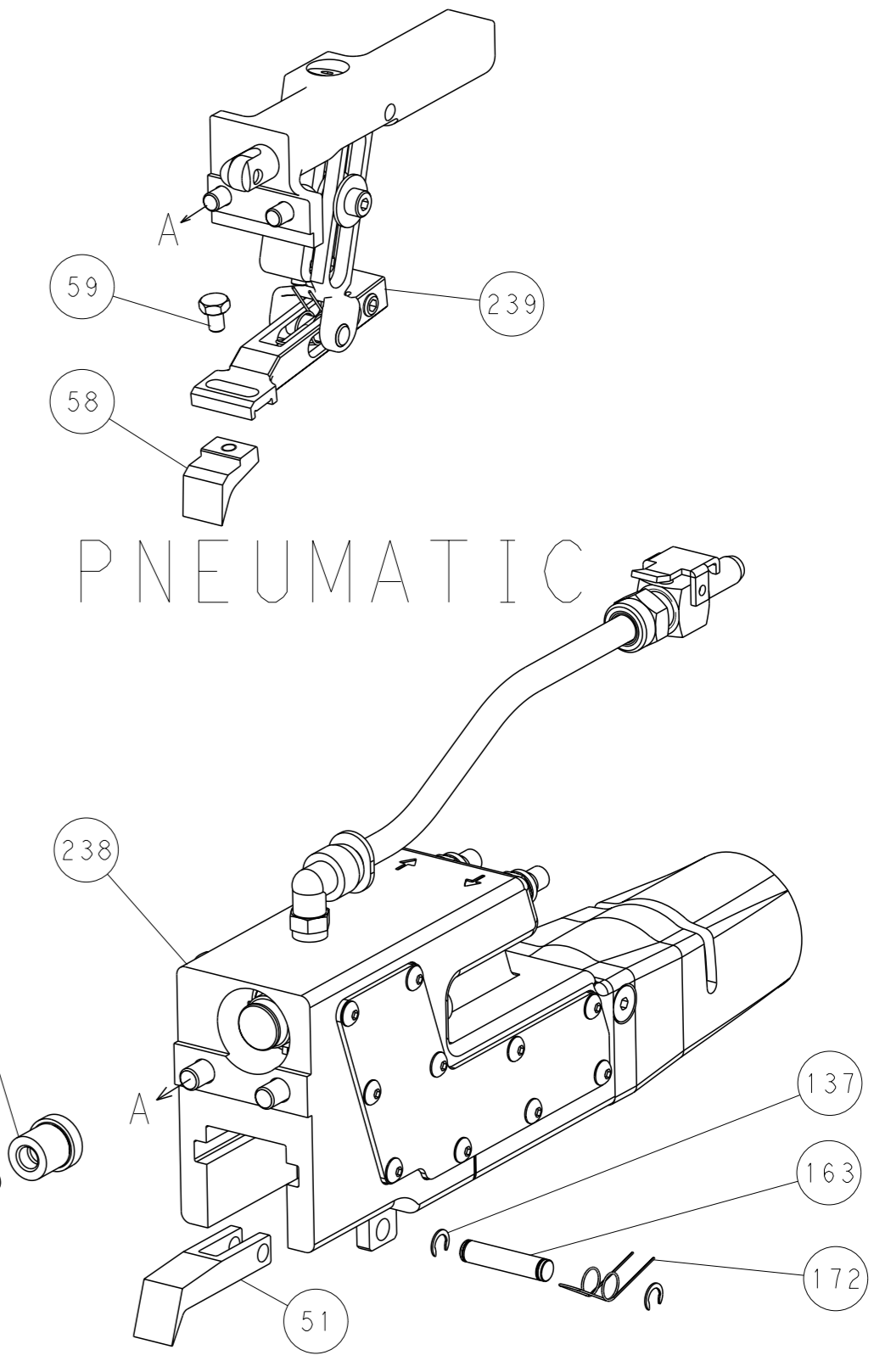
DIMENSIONS:	TOLERANCES UNLESS OTHERWISE SPECIFIED:	OWN	DATE	NAME
mm	0 PLC ± 1 PLC ± 2 PLC ± 3 PLC ± 4 PLC ±	HOFFNER	20AUG2013	TE Connectivity
	ANGLES FINISH *	ELBIN	21AUG2013	Harrisburg, PA 17105-3608
MATERIAL		ELBIN	21AUG2013	Ocean End Feed Applicator
				SIZE CAGE CODE DRAWING NO RESTRICTED TO
				A1 00779 ©=2150363
				CUSTOMER ACCESSIBLE PRODUCTION DRAWING SCALE 1:1 SHEET 3 OF 4 REV C

LOC		DIST		REVISONS			
A	66	P	LYR	DESCRIPTION	DATE	OWN	APVD
		-		SEE SHEET 1			

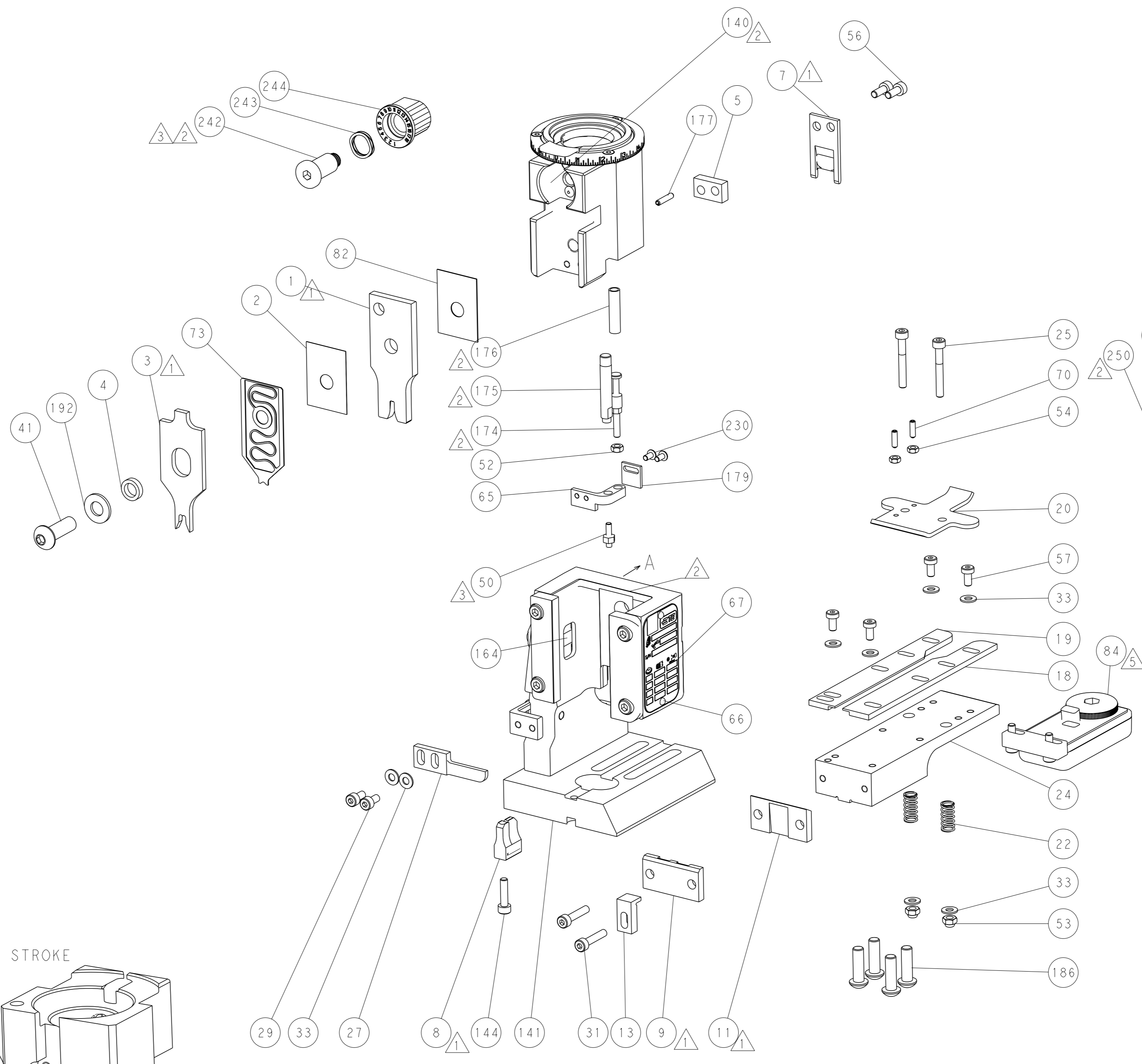


RAM AND HOLDDOWN SET-UP

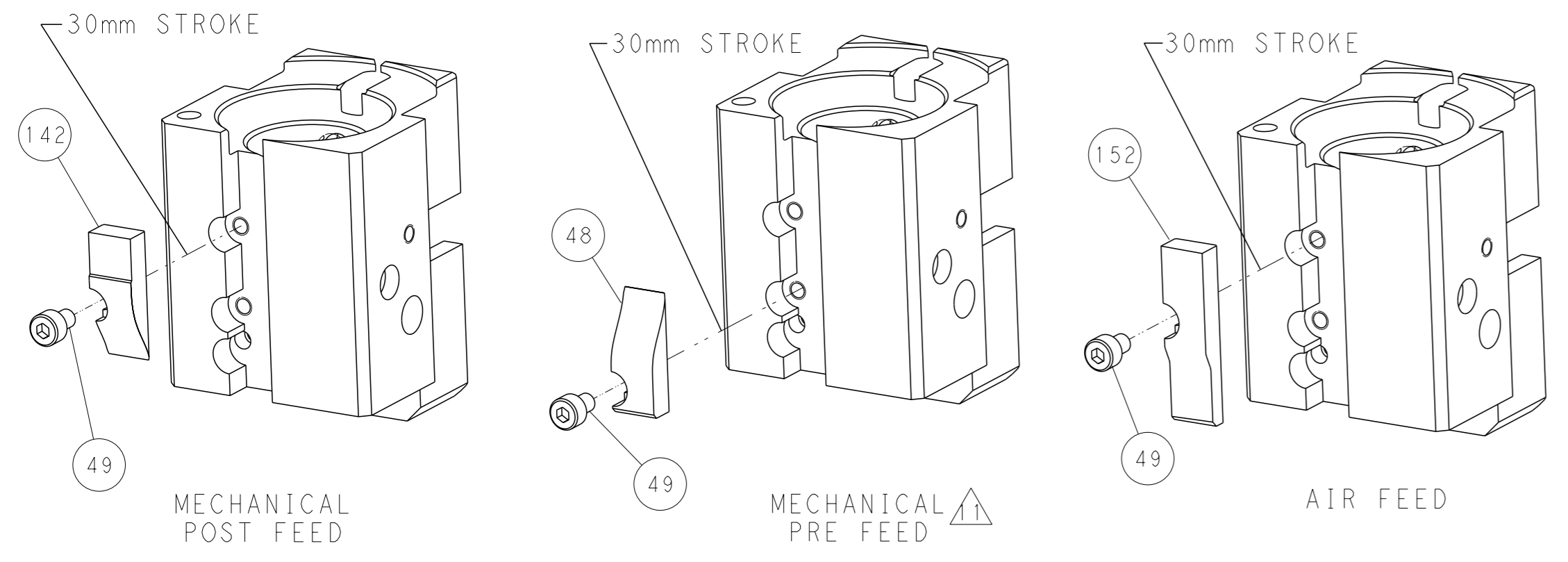
FEED TYPE  
MECHANICAL



PNEUMATIC



CAM POSITIONS



PACIFIC VERSION  
 Shown on sheets 3 of 4 & 4 of 4  
 (Atlantic version shown on sheets 1 of 4 & 2 of 4)

<small>THIS DRAWING IS A CONTROLLED DOCUMENT FOR TYCO ELECTRONICS CORPORATION. IT IS SUBJECT TO CHANGE AND TO CONTROL AND ENGINEERING DISCRETION SHOULD BE CONTACTED FOR THE LATEST REVISION.</small>		DWN: HOFFNER 20AUG2013 CHK: T.ELBIN 21AUG2013 APVD: T.ELBIN 21AUG2013	NAME: TE Connectivity Harrisburg, PA 17105-3608
DIMENSIONS: mm TOLERANCES UNLESS OTHERWISE SPECIFIED: 0 PLC ± 1 PLC ± 2 PLC ± 3 PLC ± 4 PLC ± ANGLES FINISH *	APPLICATION SPEC: - WEIGHT: - CUSTOMER ACCESSIBLE PRODUCTION DRAWING	SIZE: A1 CAGE CODE: 00779 DRAWING NO: C=2150363 SCALE: 1:1	RESTRICTED TO: C SHEET 4 OF 4 REV C