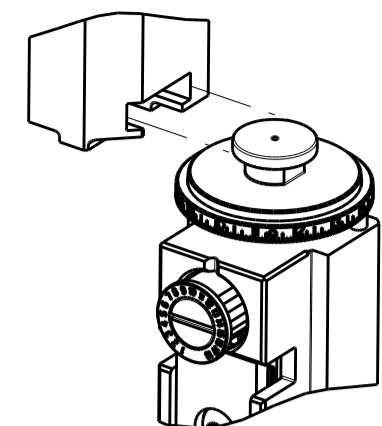


PART NUMBER	REVISION	DESCRIPTION	FEED TYPE
2150162-2	C	FINE CRIMP HEIGHT ADJUST	PNEUMATIC
7-2150162-2	C	PNEUMATIC AND CRIMP TOOLING KIT	PNEUMATIC
7-2150162-7	A	CRIMP TOOLING KIT	-

ATLANTIC VERSION TERMINATOR INTERFACE ADAPTER



APPLICATOR DATA		
CRIMP	SIZE	TYPE
WIRE	3.30 mm [.130]	F
INSUL	4.32 mm [.170]	OV
APPL INSTRUCTIONS 408-35043		

TERMINAL DATA: G&H TERMINAL G&H CRIMP SPECIFICATION

TERMINAL NAME: G&H TERMINAL

WIRE STRIP LENGTH	INSULATION DIAMETER RANGE
5.32-6.09 mm [.210-.240 IN]	Ø1.90-3.00 mm [.075-.118 IN]

TERMINAL APPLICATION SPECIFICATION G&H LEAR SPEC 25221 Rev 9

TERMINALS APPLIED

TE TERMINAL	G&H TERMINAL	TE TERMINAL	G&H TERMINAL
1572900-1	25221.123.011	1572499-1	25219.213.004
1572900-2	25221.213.011	1572499-2	25219.213.320
1572900-3	25221.212.179	1572499-3	25219.123.014
1572900-4	25221.214.009	1572499-4	25219.123.011
1572900-5	25221.214.321	1572499-5	25219.123.322
1572900-6	25221.122.323	1572499-6	25219.123.009
1572900-7	25221.123.014	1572499-7	25219.411.031
1572900-8	25221.123.009	1572499-8	25219.212.179
		1572499-9	25219.213.011
		1-1572499-0	25219.213.322

WIRE SIZE	CRIMP HEIGHT mm [INCH]	CRIMP HEIGHT REFERENCE SETTING
2.50mm2	2.25 +/- 0.05 [.089 +/- .002]	7.8
1.0+1.5	2.25 +/- 0.05 [.089 +/- .002]	7.8
2X1.00	2.15 +/- 0.05 [.085 +/- .002]	8.9
1.00+0.75	2.10 +/- 0.05 [.083 +/- .002]	9.2
1.50mm2	2.10 +/- 0.05 [.083 +/- .002]	9.2



- 1 RECOMMENDED SPARE PARTS
- 2 REFER TO SUPPLIED INSTRUCTION SHEET FOR CLEANING, LUBRICATION AND STORAGE OF APPLICATOR.
- 3 APPLY PART NUMBER 1-23419-5 LOCTITE TO THREADS OF ITEM 180. APPLY PART NUMBER 2-23419-6 LOCTITE TO THREADS OF ITEM 242.
- 4 CRIMP HEIGHT REFERENCE SETTING WAS THE SETTING USED WHEN THE APPLICATOR WAS QUALIFIED AT THE FACTORY. ADJUSTMENT MAY BE NECESSARY WHEN RUNNING APPLICATOR IN THE FIELD.
- 5 UNLESS SPECIFIED OTHERWISE TORQUE VALUES SHALL BE USED PER DOCUMENT, 101-35000.
- 6 TERMINAL PITCH NOT COMPATIBLE WITH MECHANICAL FEED.
- 7 TERMINAL LUBRICANT IS RECOMMENDED.

***WARNING**
ON INSTALLATION, SET WIRE DISC TO CRIMP HEIGHT REFERENCE SETTING FOR LARGEST WIRE SIZE. CRIMP HEIGHT REFERENCE SETTINGS GREATER THAN THE VALUE SHOWN MAY CAUSE DAMAGE TO THE CRIMP TOOLING. REFER TO THE INSTRUCTION SHEET FOR PROPER SETUP AND ADJUSTMENTS.

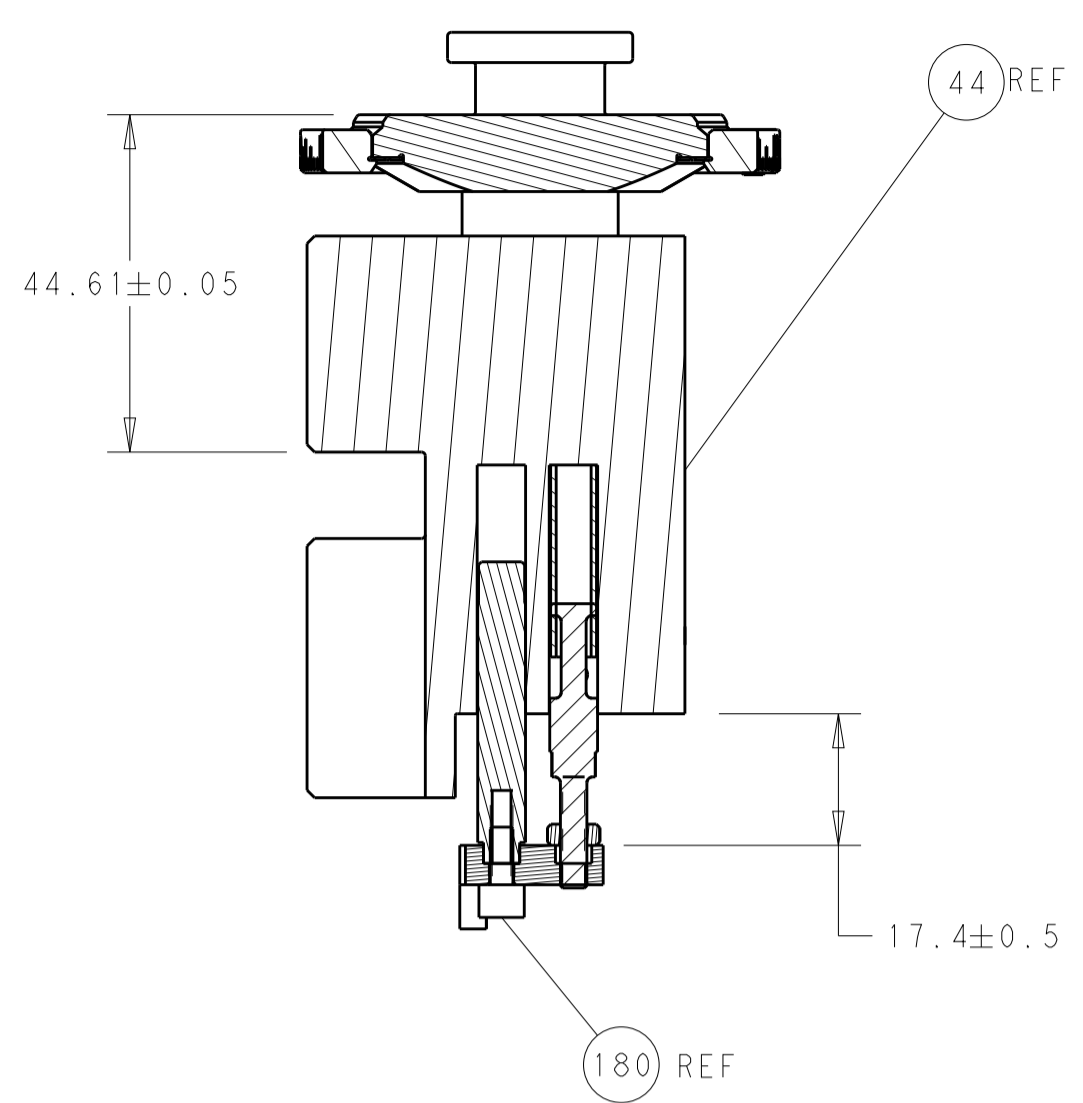
ATLANTIC VERSION
Shown on sheets 1 of 4 & 2 of 4
(Pacific version shown on sheets 3 of 4 & 4 of 4)

LOC	DIST	REV	LTN	DESCRIPTION	DATE	OWN	APVD
A	66						
		A1		ECR-16-005598	18APR2016	KH	LZ
		B		ECR-17-005417	13APR2017	AW	CT
		B1		ECR-19-007525	13MAY2019	FZ	CT
		C		ECR-20-005941	23APR2020	FZ	TE

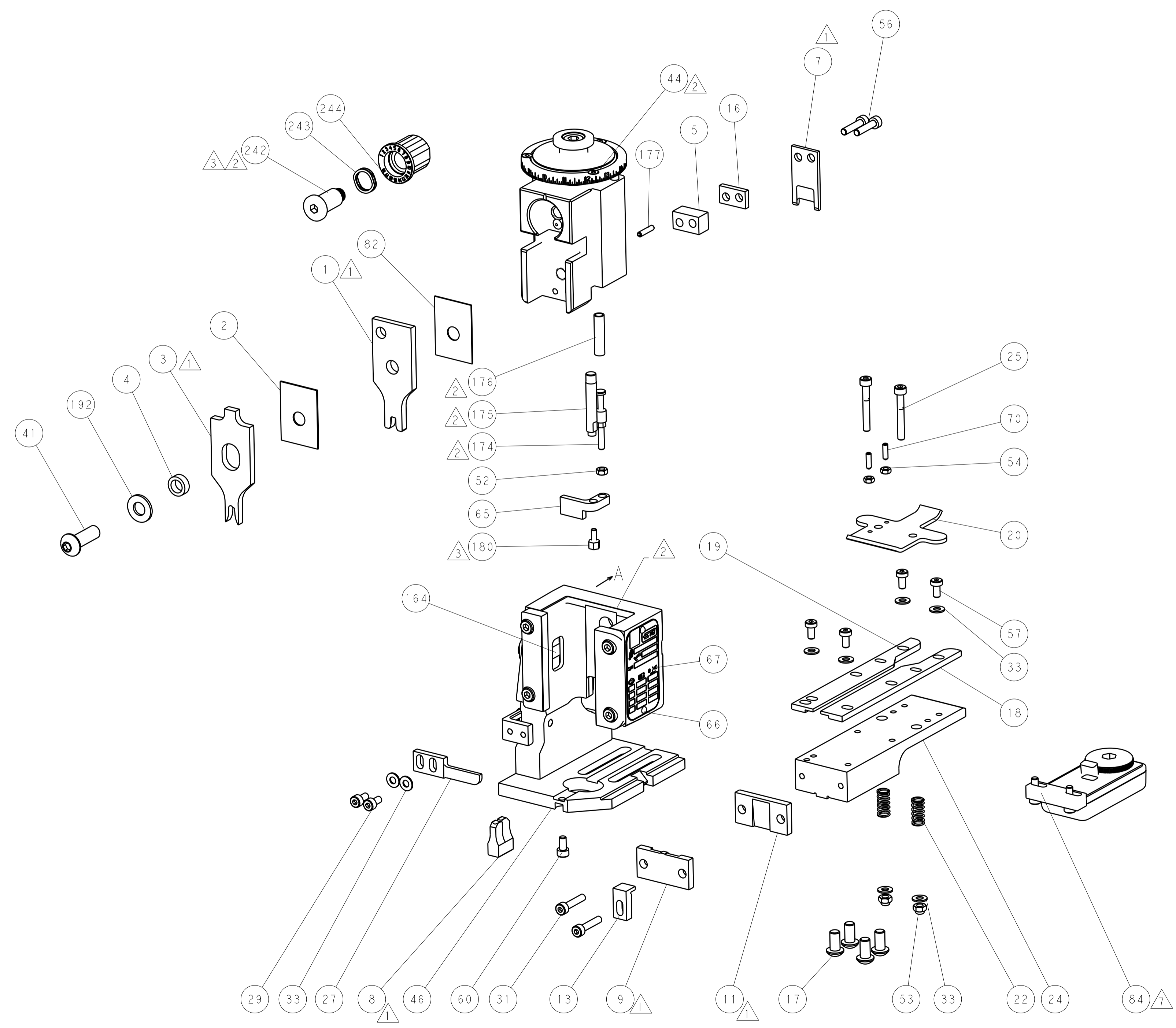
-	1	1	2119641-1	FEED CAM, AIR FEED	248	
-	1	1	2119082-4	CAM, SNAIL, INSULATION ADJUSTMENT	244	
-	1	1	2079764-1	WASHER, WAVE SPRING, CREST-TO-CREST	243	
3	-	1	2119083-1	RETAINER, INSULATION DIAL	242	
-	1	1	2844940-4	AIR FEED MODULE	238	
-	1	1	1-18028-0	WASHER, FLAT, REG M8	192	
3	-	1	1752354-2	STANDOFF, HOLD-DOWN	180	
-	1	1	6-993111-6	PIN, SLOTTED SPRING 3.0 X 14.0	177	
-	1	1	8-22280-7	SPRING, COMPRESSION	176	
-	1	1	1752353-2	GUIDE PIN, HOLDDOWN	175	
-	1	1	1901680-2	GUIDE PIN, HOLDDOWN	174	
-	REFREF		994970-2	COUNTER, MAGNETIC	164	
7	-	1	2119955-2	ASSY, LUBRICATOR, END FEED	84	
-	1	1	455888-5	SPACER, CRIMPER	82	
-	1	1	1803607-4	DOCUMENTATION PACKAGE	71	
-	2	2	2-18032-2	SCR, SET, FLT PNT, M3 X 10.0	70	
-	1	1	2119740-1	TAG, IDENTIFICATION	67	
-	2	2	2168078-1	SCREW, DRIVE, RH, RoHS, 2 x .188	66	
-	1	1	1901681-1	HOLDDOWN, TERMINAL	65	
-	1	1	2168083-2	SCR, SKT HD CAP, RoHS, M4 X 8.0	60	
-	1	1	5-18022-5	SCR, HEX HD CAP, M4 X 6.0	59	
-	4	4	2168400-4	SHCS, LOW HEAD, RoHS, M4 X 8	57	
-	2	2	2-2168083-6	SCR, SKT HD CAP, RoHS, M4 X 18	56	
-	2	2	5018030-1	NUT, HEX, REG, RoHS, M3	54	
-	2	2	986965-8	NUT, LOCK, HEX, TORQUE (M4)	53	
-	1	1	1-5018030-0	NUT, HEX, REG, RoHS, M3.5	52	
-	1	1	2063961-1	FEED FINGER	51	
-	1	1	18023-9	SCR, SKT HD CAP M4 X 6.0	49	
-	1	1	2119655-5	APPLICATOR BASIC ASSEMBLY, EF	46	
-	1	1	1803517-1	RAM ASSEMBLY, EF ATLANTIC	44	
-	1	1	1803602-1	SCR, BHSC, RoHS (M8 X 25)	41	
-	8	8	1-18028-2	WASHER, FLAT, REG M4	33	
-	2	2	2168083-9	SCR, SKT HD CAP, RoHS, M4 X 20	31	
-	2	2	2168083-2	SCR, SKT HD CAP, RoHS, M4 X 8.0	29	
-	1	1	240639-1	STRIPPER (MACHINING)	27	
-	2	2	1-2168083-5	SCR, SKT HD CAP, RoHS, M4 X 30	25	
-	1	1	1752371-1	PLATE, STRIP GUIDE	24	
-	2	2	2-22281-3	SPRING, COMPRESSION	22	
-	1	1	1803292-4	DRAG	20	
-	1	1	2-1901696-2	STRIP GUIDE, REAR	19	
-	1	1	2-1901695-2	STRIP GUIDE, FRONT	18	
-	4	4	1-2079383-1	SCR, BHSC, RoHS (M6 X 12)	17	
-	1	1	240641-8	SPACER	16	
-	1	1	1752360-1	SPACER, HOLD-DOWN	13	
1	-	1	240644-9	PLATE, REAR SHEAR	11	
-	-	-	-	-	10	
1	-	1	3-690495-6	PLATE, FRONT SHEAR	9	
1	1	2	1	6-1803000-1	ANVIL, COMBINATION, END FEED	8
1	-	1	1	1-2217206-1	BLADE, SLUG	7
-	-	-	-	-	6	
-	1	1	1	5-240641-7	SPACER	5
-	1	1	1	6-238011-8	BLOCK, CRIMPER SPACER	4
1	1	2	1	6-2119785-6	CRIMPER, INSULATION OVERLAP PREMIUM	3
-	1	1	1	455888-7	SPACER, CRIMPER	2
1	1	2	1	3-456410-2	CRIMPER, WIRE PREMIUM	1
-	77-72	-	2	PART NO	DESCRIPTION	ITEM NO

DIMENSIONS:		TOLERANCES UNLESS OTHERWISE SPECIFIED:		DRAWN		CHK		APVD		NAME	
mm	0 PLC ±	1 PLC ±	2 PLC ±	3 PLC ±	4 PLC ±	ANGLES ±	FINISH ±	DATE	11OCT2014	DATE	11OCT2014
								TE CONNECTIVITY	Harrisburg, PA 17105-3608		
								PRODUCT SPEC			
								APPLICATION SPEC			
								SIZE	CAGE CODE	DRAWING NO	RESTRICTED TO
								A1	00779	2150162	
								Customer Accessible Production Drawing	SCALE	1:1	SHEET 1 OF 4

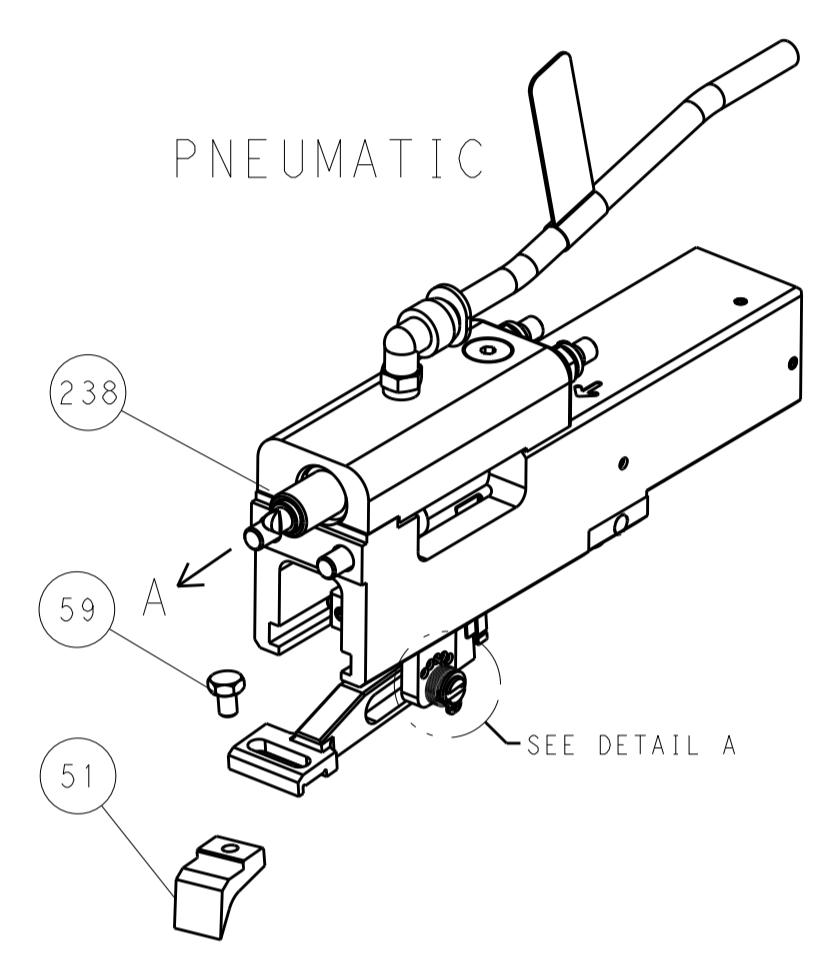
LOC		DIST		REVISIONS			
A	66	P	LTM	DESCRIPTION	DATE	DWN	APVD
		-	-	SEE SHEET 1	-	-	-



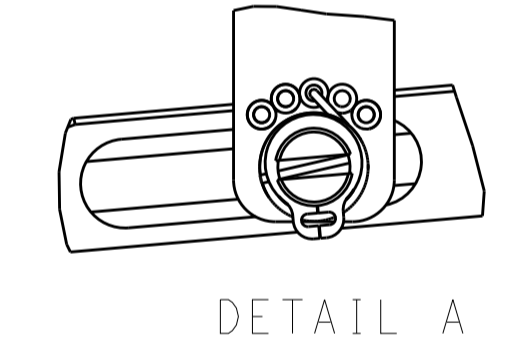
RAM AND HOLDDOWN SET-UP



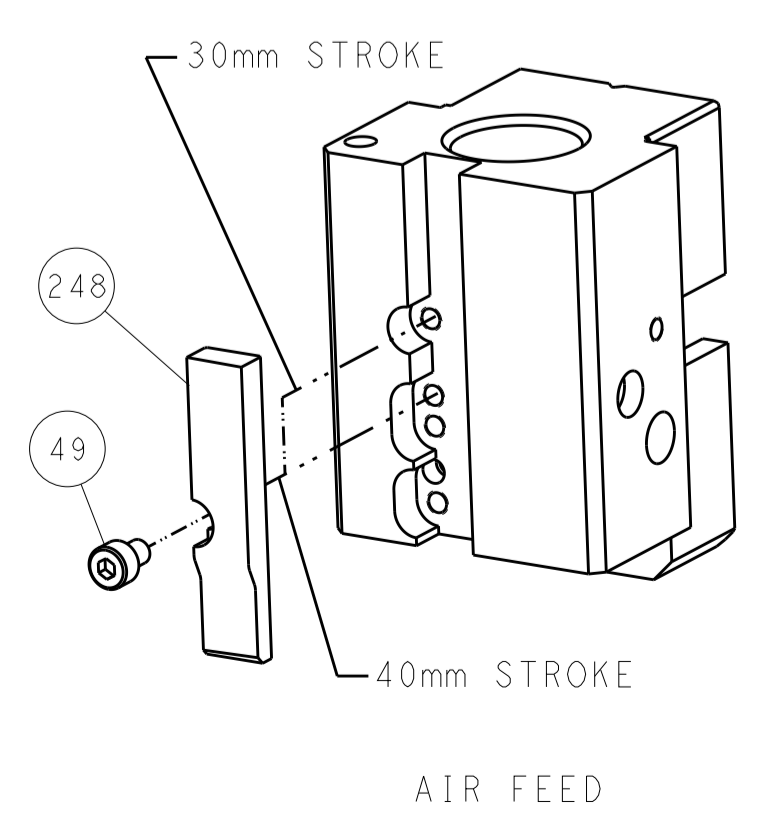
FEED TYPE



FEED SPRING SETTING POSITION



CAM POSITION

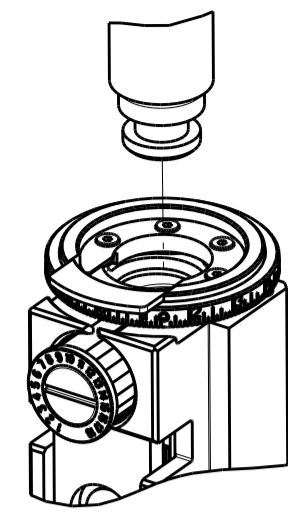


ATLANTIC VERSION
 Shown on sheets 1 of 4 & 2 of 4
 (Pacific version shown on sheets 3 of 4 & 4 of 4)

<small>THE DRAWING IS UNPUBLISHED. RELEASED FOR PUBLICATION BY TYCO ELECTRONICS CORPORATION. ALL RIGHTS RESERVED.</small>		DWN: X.ZHAO 17OCT2014 CHK: L.ZHANG 17OCT2014 APVD: T.FLRIN 17OCT2014	TE Connectivity Harrisburg, PA 17105-3608
DIMENSIONS: mm TOLERANCES UNLESS OTHERWISE SPECIFIED: 0 PLC ± 1 PLC ± 2 PLC ± 3 PLC ± 4 PLC ± ANGLES ±		NAME: Ocean End Feed Applicator PRODUCT SPEC: APPLICATION SPEC: SIZE: A1 CAGE CODE: 00779 DRAWING NO: C=2150162	RESTRICTED TO:
MATERIAL: FINISH:		WEIGHT: Customer Accessible Production Drawing SCALE: 1:1 SHEET: 2 of 4 REV: C	

THIS DRAWING IS UNPUBLISHED.	RELEASED FOR PUBLICATION		
COPYRIGHT © BY TYCO ELECTRONICS CORPORATION. ALL RIGHTS RESERVED.			
PART NUMBER	REVISION	DESCRIPTION	FEED TYPE
2-2150162-2	C	FINE CRIMP HEIGHT ADJUST	PNEUMATIC
7-2150162-7	A	CRIMP TOOLING KIT	-

PACIFIC VERSION TERMINATOR
INTERFACE ADAPTER



APPLICATOR DATA		
CRIMP	SIZE	TYPE
WIRE	3.30 mm [.130]	F
INSUL	4.32 mm [.170]	OV
APPL INSTRUCTIONS 408-35043		

TERMINAL DATA: G&H TERMINAL G&H CRIMP SPECIFICATION

TERMINAL NAME: G&H TERMINAL	
WIRE STRIP LENGTH 5.32-6.09 mm [.210-.240 IN]	INSULATION DIAMETER RANGE Ø1.90-3.00 mm [.075-.118 IN]
TERMINAL APPLICATION SPECIFICATION G&H LEAR SPEC 25221 Rev 9	

TERMINALS APPLIED

TE TERMINAL	G&H TERMINAL	TE TERMINAL	G&H TERMINAL
1572900-1	25221.123.011	1572499-1	25219.213.004
1572900-2	25221.213.011	1572499-2	25219.213.320
1572900-3	25221.212.179	1572499-3	25219.123.014
1572900-4	25221.214.009	1572499-4	25219.123.011
1572900-5	25221.214.321	1572499-5	25219.123.322
1572900-6	25221.122.323	1572499-6	25219.123.009
1572900-7	25221.123.014	1572499-7	25219.411.031
1572900-8	25221.123.009	1572499-8	25219.212.179
		1572499-9	25219.213.011
		1-1572499-0	25219.213.322

WIRE SIZE	CRIMP HEIGHT mm [INCH]	CRIMP HEIGHT REFERENCE SETTING
2.50mm2	2.25+/-0.05 [.089+/- .002]	7.8
1.0+1.5	2.25+/-0.05 [.089+/- .002]	7.8
2X1.00	2.15+/-0.05 [.085+/- .002]	8.9
1.00+0.75	2.10+/-0.05 [.083+/- .002]	9.2
1.50mm2	2.10+/-0.05 [.083+/- .002]	9.2

- △ RECOMMENDED SPARE PARTS
- △ REFER TO SUPPLIED INSTRUCTION SHEET FOR CLEANING, LUBRICATION AND STORAGE OF APPLICATOR.
- △ APPLY PART NUMBER 1-23419-5 LOCTITE TO THREADS OF ITEM 180. APPLY PART NUMBER 2-23419-6 LOCTITE TO THREADS OF ITEM 242.
- △ CRIMP HEIGHT REFERENCE SETTING WAS THE SETTING USED WHEN THE APPLICATOR WAS QUALIFIED AT THE FACTORY. ADJUSTMENT MAY BE NECESSARY WHEN RUNNING APPLICATOR IN THE FIELD.
- 5. UNLESS SPECIFIED OTHERWISE TORQUE VALUES SHALL BE USED PER DOCUMENT, 101-35000.
- △ TERMINAL PITCH NOT COMPATIBLE WITH MECHANICAL FEED.
- △ TERMINAL LUBRICANT IS RECOMMENDED.

***WARNING**
ON INSTALLATION, SET WIRE DISC TO CRIMP HEIGHT REFERENCE SETTING FOR LARGEST WIRE SIZE. CRIMP HEIGHT REFERENCE SETTINGS GREATER THAN THE VALUE SHOWN MAY CAUSE DAMAGE TO THE CRIMP TOOLING, REFER TO THE INSTRUCTION SHEET FOR PROPER SETUP AND ADJUSTMENTS.

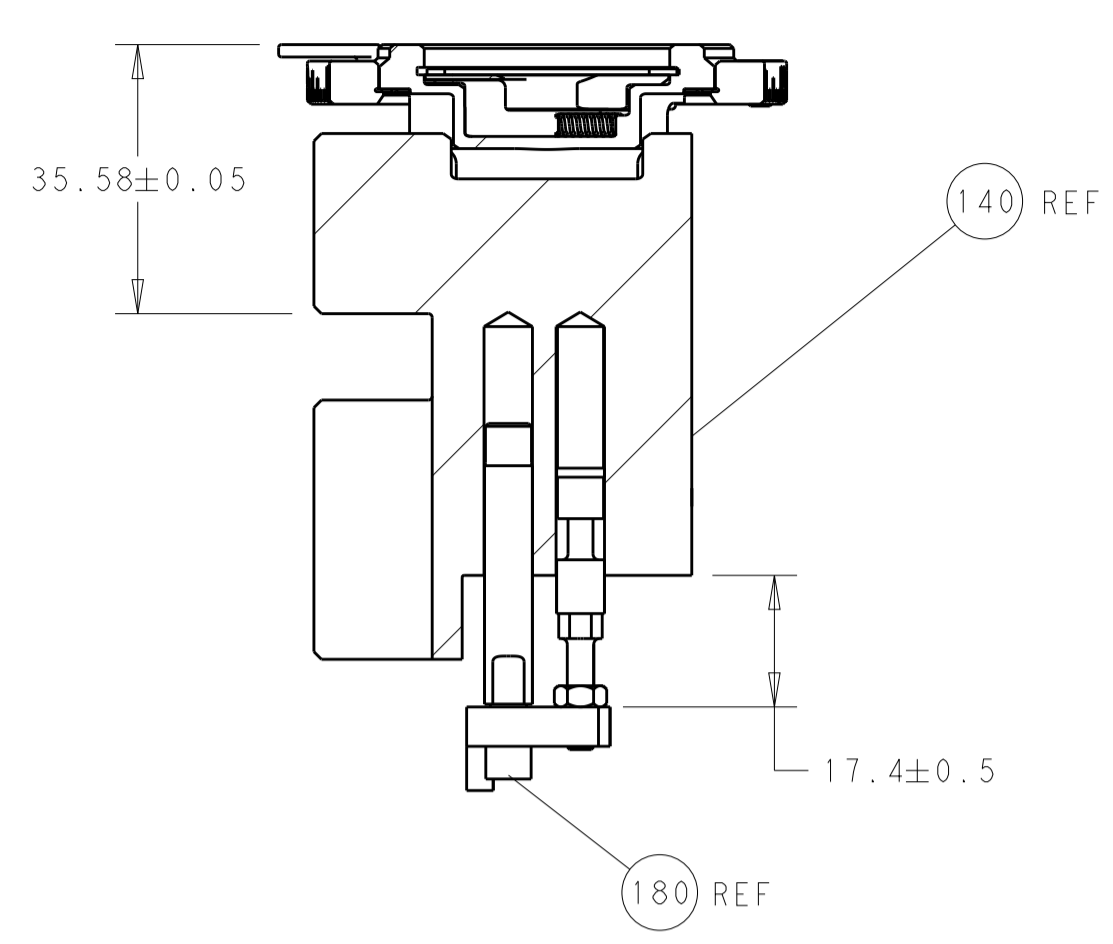
LOC	DIST	REVISIONS					
A	66	P	LTN	DESCRIPTION	DATE	OWN	APVD
		-		SEE SHEET 1	-	-	-

-	1	2119082-4	CAM, SNAIL, INSULATION ADJUSTMENT	244	
-	1	2079764-1	WASHER, WAVE SPRING, CREST-TO-CREST	243	
△	-	1	2119083-1	RETAINER, INSULATION DIAL	242
-	1	2844940-4	AIR FEED MODULE	238	
-	1	1-18028-0	WASHER, FLAT, REG M8	192	
-	4	2079383-9	SCR, BHSC, RoHS (M6 X 20)	186	
△	-	1	1752354-2	STANDOFF, HOLD-DOWN	180
-	1	6-993111-6	PIN, SLOTTED SPRING 3.0 X 14.0	177	
-	1	8-22280-7	SPRING, COMPRESSION	176	
-	1	1752353-2	GUIDE PIN, HOLDDOWN	175	
-	1	1901680-2	GUIDE PIN, HOLDDOWN	174	
-	REF	994970-2	COUNTER, MAGNETIC	164	
-	1	2119641-2	FEED CAM, AIR FEED	152	
-	1	2168083-8	SCR, SKT HD CAP, RoHS, M4 X 16	144	
-	1	2119655-6	APPLICATOR BASIC ASSEMBLY, EF	141	
-	1	1803518-1	RAM ASSEMBLY, EF PACIFIC	140	
△	-	1	2119955-2	ASSY, LUBRICATOR, END FEED	84
-	1	455888-5	SPACER, CRIMPER	82	
-	1	1803607-4	DOCUMENTATION PACKAGE	71	
-	2	2-18032-2	SCR, SET, FLT PNT, M3 X 10.0	70	
-	1	2119740-1	TAG, IDENTIFICATION	67	
-	2	2168078-1	SCREW, DRIVE, RH, RoHS, 2 x .188	66	
-	1	1901681-1	HOLDDOWN, TERMINAL	65	
-	1	5-18022-5	SCR, HEX HD CAP, M4 X 6.0	59	
-	4	2168400-4	SHCS, LOW HEAD, RoHS, M4 X 8	57	
-	2	2-2168083-6	SCR, SKT HD CAP, RoHS, M4 X 18	56	
-	2	5018030-1	NUT, HEX, REG, RoHS, M3	54	
-	2	986965-8	NUT, LOCK, HEX, TORQUE (M4)	53	
-	1	1-5018030-0	NUT, HEX, REG, RoHS, M3.5	52	
-	1	2063961-1	FEED FINGER	51	
-	1	18023-9	SCR, SKT HD CAP M4 X 6.0	49	
-	1	1803602-1	SCR, BHSC, RoHS (M8 X 25)	41	
-	8	1-18028-2	WASHER, FLAT, REG M4	33	
-	2	2168083-9	SCR, SKT HD CAP, RoHS, M4 X 20	31	
-	2	2168083-2	SCR, SKT HD CAP, RoHS, M4 X 8.0	29	
-	1	240639-1	STRIPPER (MACHINING)	27	
-	2	1-2168083-5	SCR, SKT HD CAP, RoHS, M4 X 30	25	
-	1	1752371-1	PLATE, STRIP GUIDE	24	
-	2	2-22281-3	SPRING, COMPRESSION	22	
-	1	1803292-4	DRAG	20	
-	1	2-1901696-2	STRIP GUIDE, REAR	19	
-	1	2-1901695-2	STRIP GUIDE, FRONT	18	
-	1	240641-8	SPACER	16	
-	1	1752360-1	SPACER, HOLD-DOWN	13	
△	-	1	240644-9	PLATE, REAR SHEAR	11
-	-	-	-	10	
△	-	1	3-690495-6	PLATE, FRONT SHEAR	9
△	1	1	6-1803000-1	ANVIL, COMBINATION, END FEED	8
△	-	1	1-2217206-1	BLADE, SLUG	7
-	-	-	-	6	
-	1	1	5-240641-7	SPACER	5
-	1	1	6-238011-8	BLOCK, CRIMPER SPACER	4
△	1	1	6-2119785-6	CRIMPER, INSULATION OVERLAP PREMIUM	3
-	1	1	455888-7	SPACER, CRIMPER	2
△	1	1	3-456410-2	CRIMPER, WIRE PREMIUM	1

PACIFIC VERSION
Shown on sheets 3 of 4 & 4 of 4
(Atlantic version shown on sheets 1 of 4 & 2 of 4)

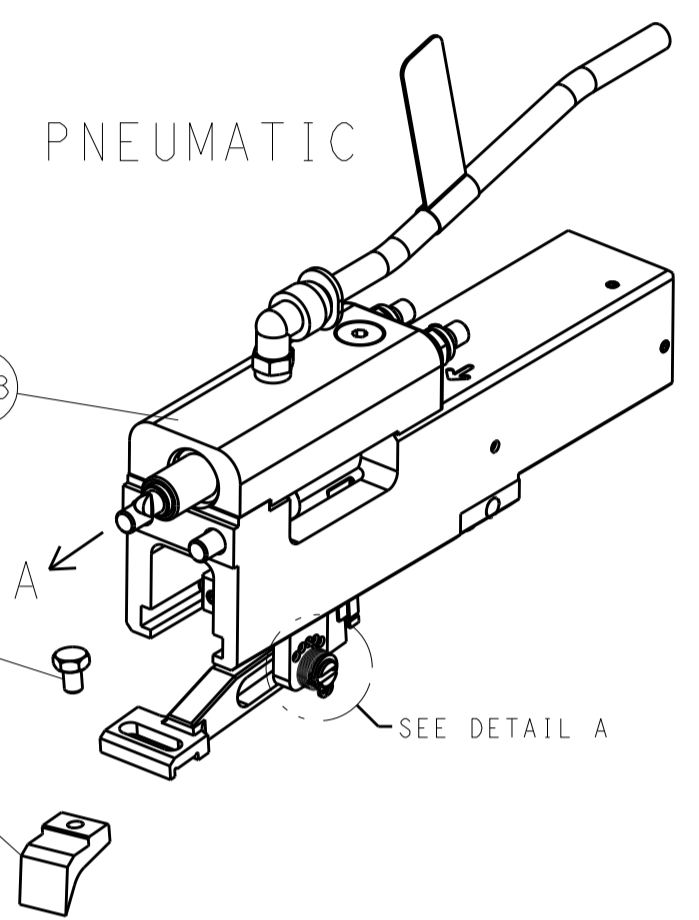
DIMENSIONS: mm		TOLERANCES UNLESS OTHERWISE SPECIFIED:		DWG: X. ZHAO 17OCT2014		CHK: L. ZHANG 17OCT2014		APVD: T. ELBIN 17OCT2014		NAME: Ocean End Feed Applicator	
0 PLC ±		1 PLC ±		2 PLC ±		3 PLC ±		4 PLC ±		SIZE: A1	
ANGLES		FINISH		WEIGHT		SCALE: 1:1		SHEET: 3 OF 4		REV: C	
MATERIAL		FINISH		WEIGHT		SCALE: 1:1		SHEET: 3 OF 4		REV: C	

LOC		DIST		REVISIONS			
A	66	P	LTM	DESCRIPTION	DATE	DWN	APVD
		-		SEE SHEET 1			

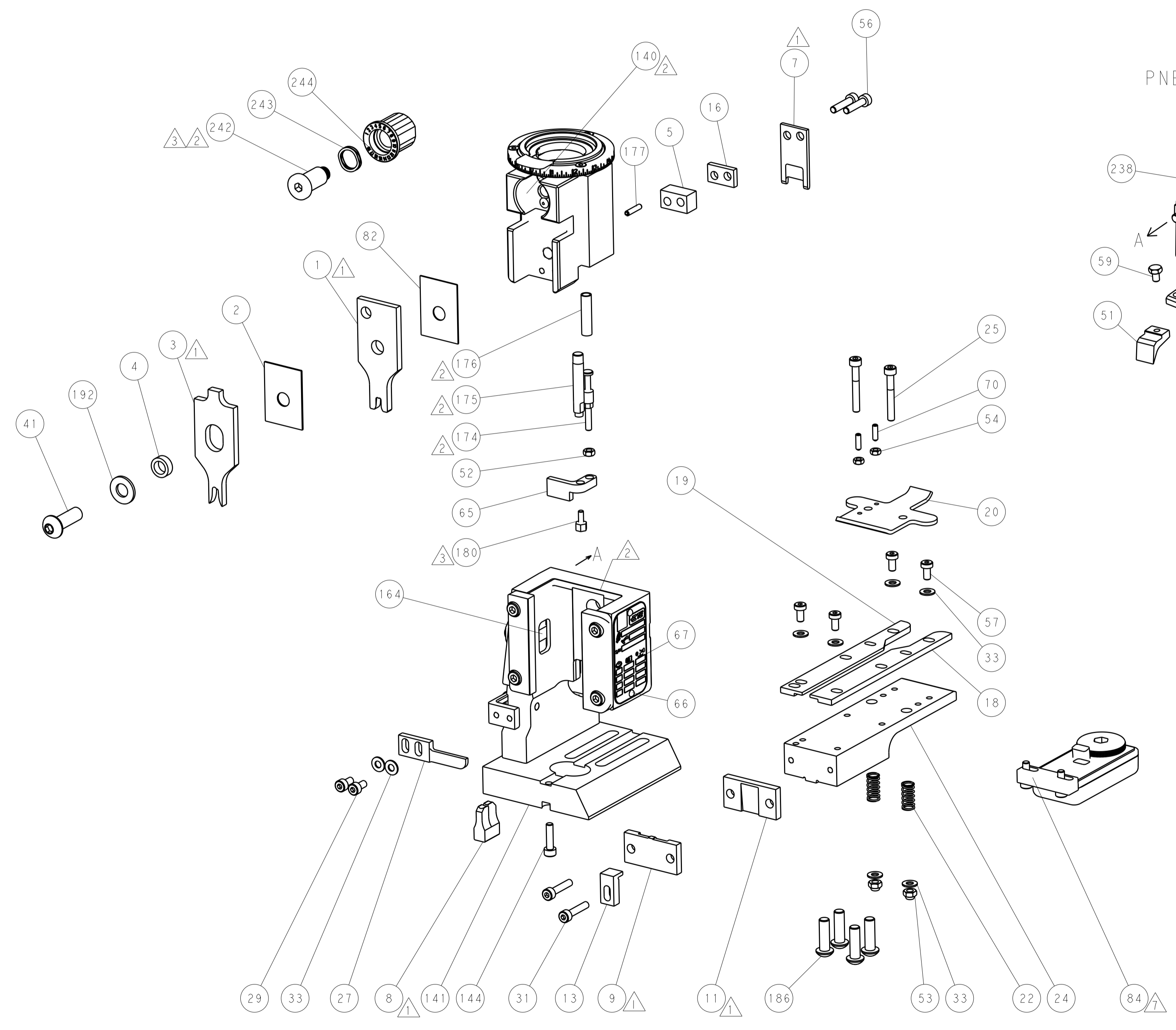
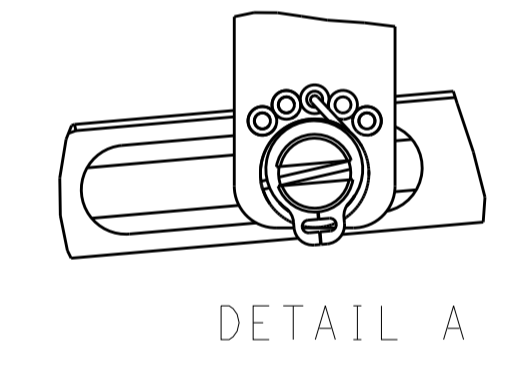


RAM AND HOLDDOWN SET-UP

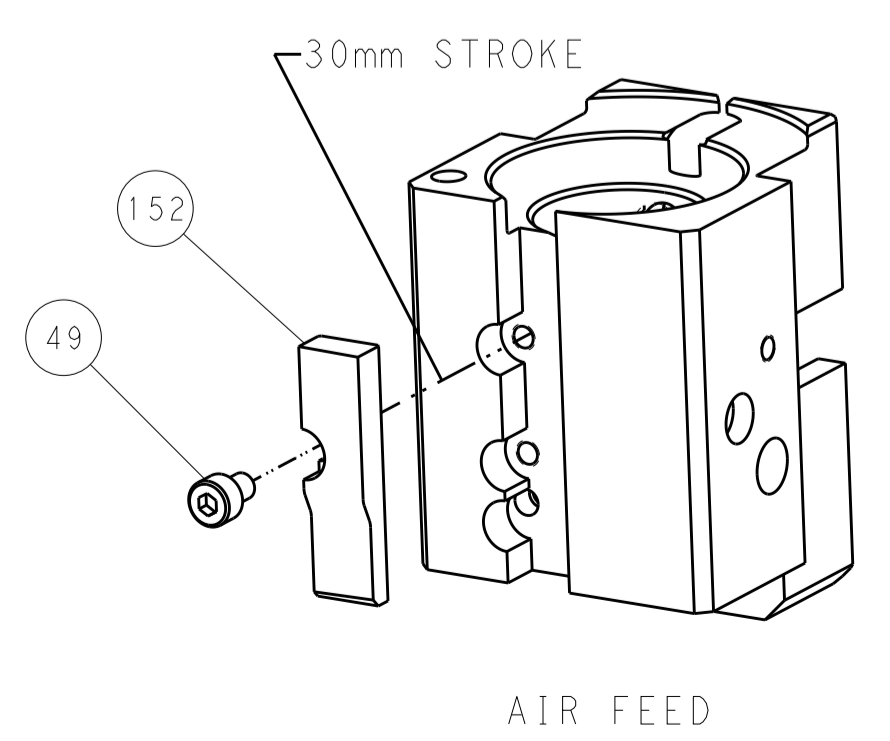
FEED TYPE



FEED SPRING SETTING POSITION



CAM POSITION



PACIFIC VERSION
 Shown on sheets 3 of 4 & 4 of 4
 (Atlantic version shown on sheets 1 of 4 & 2 of 4)

DIMENSIONS:		TOLERANCES UNLESS OTHERWISE SPECIFIED:		DWN X.ZHAO 17OCT2014		STE TE Connectivity	
mm	0 PLC ±	1 PLC ±	2 PLC ±	3 PLC ±	4 PLC ±	5 PLC ±	Harrisburg, PA 17105-3608
	ANGLES	FINISH		CHK L.ZHANG 17OCT2014	NAME		
MATERIAL				APVD T.ELIEN 17OCT2014	PRODUCT SPEC		
					APPLICATION SPEC		
					WEIGHT		
					SCALE		
					SHEET		
					REV		
					CAGE CODE		
					DRAWING NO		
					RESTRICTED TO		
					00779		
					C=2150162		
					Customer Accessible Production Drawing		