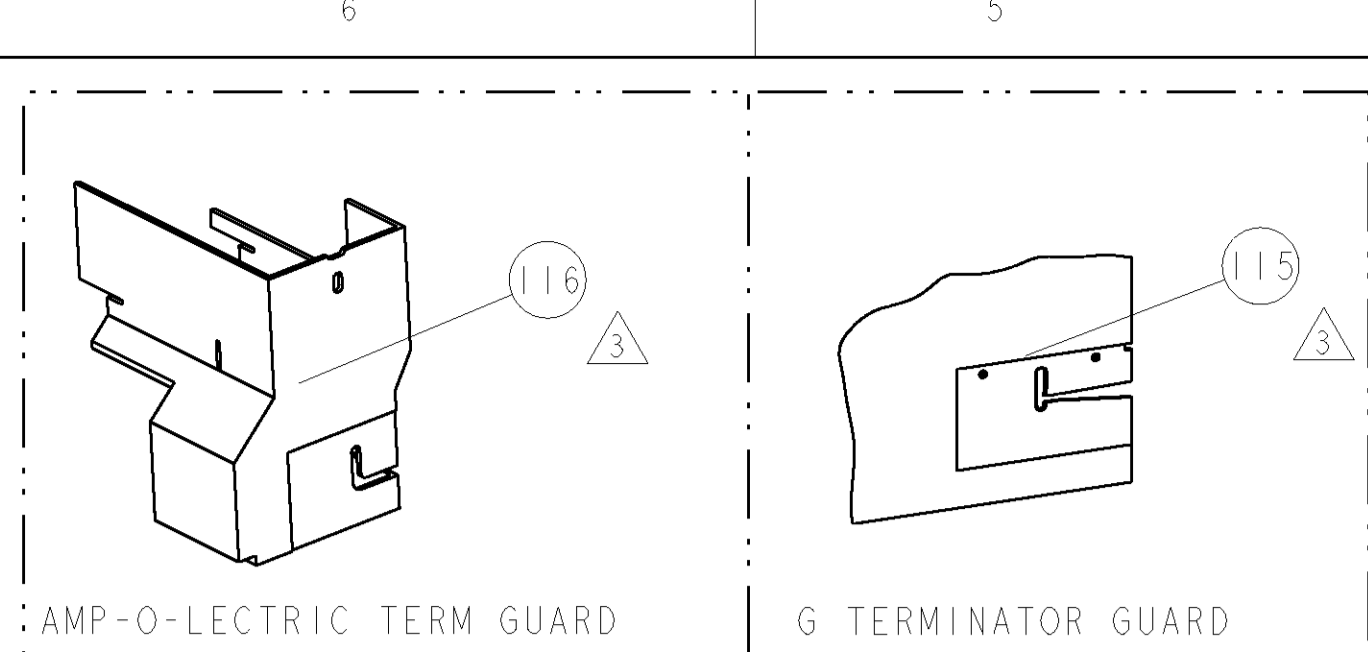
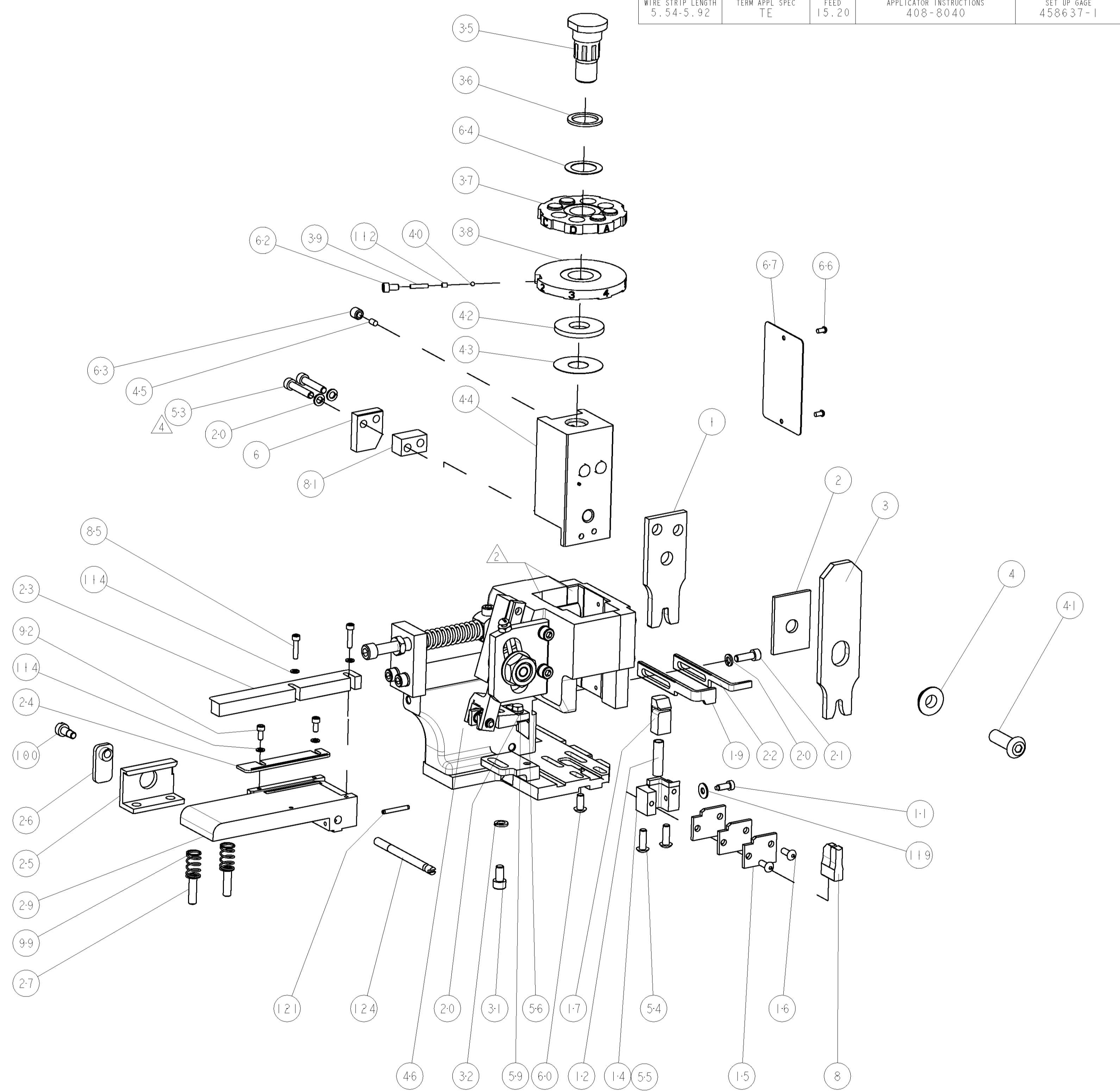
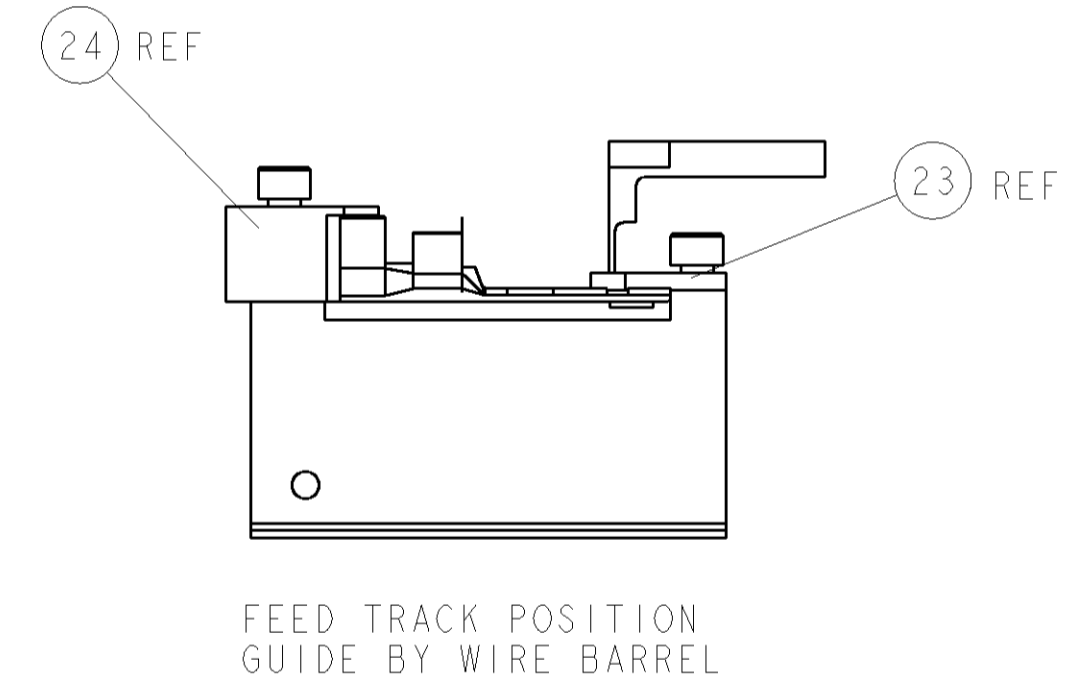
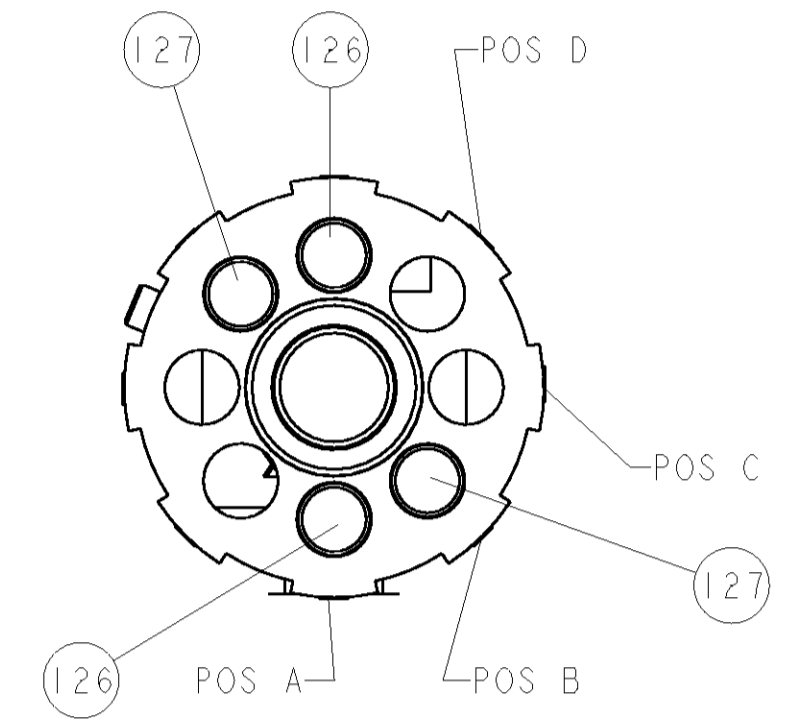


PART NUMBER	REV	FIRST USED	POWER UNIT	FEED TYPE	DESCRIPTION
1852797-1	A	122500-1	LEADMAKER	POST FEED	CUTS CARRIER
1852797-2	A	565435-5	BENCH MODEL K	PRE FEED	CUTS CARRIER
1852797-3	A	354500-1	BENCH MODEL G	PRE FEED	CUTS CARRIER
1852797-6	A	122500-1	LEADMAKER	POST FEED	CONTINUOUS CARRIER
7-1852797-7	A	-	-	-	SPARE PARTS



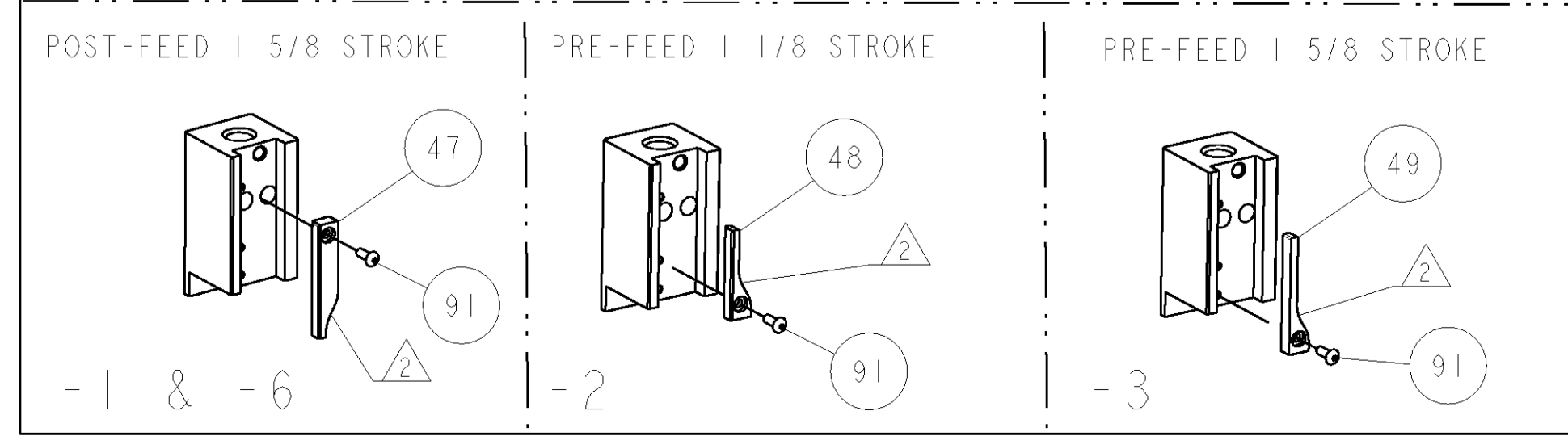
TERMINAL NAME: RING			
TE PN	ARKLES	ARKLES TERMINAL - TE CRIMP SPECS	
1949854	4000 A4G98-10		
		PAD LTR	CRIMP HEIGHT
		A	2.13mm+.05/- .05 [.084+.002/- .002]
		B	2.05mm+.05/- .05 [.081+.002/- .002]
		C	-
		D	-
		CRIMP	SIZE
			TYPE
			RANGE
		WIRE	3.99mm [.157]
		INSUL	4.83mm [.190]
		FEED	18-16AWG or 0.85-1.25mm2
			Ø 1.905 - 4.445
WIRE STRIP LENGTH	TERM APPL SPEC	FEED	APPLICATOR INSTRUCTIONS
5.54-5.92	TE	15.20	408-8040
			SET UP GAGE
			458637-1

- △ RECOMMENDED SPARE PARTS
- △ GREASE LIGHTLY
- △ GUARD MUST BE IN PLACE WHEN OPERATING APPLICATOR IN A BENCH MACHINE
- △ CUT TO LENGTH AT ASSEMBLY.



LOC	DIST	REVISIONS			
A	66	P LTR	DESCRIPTION	DATE	OWN
		A	RELEASED	05FEB2009	RK

-	2	2	2	2	-	8-354778-1	PIN, WIRE DISC, .2900	127
-	2	2	2	2	-	7-354778-5	PIN, WIRE DISC, .2870	126
-	1	1	1	1	-	690432-6	ADJUSTMENT SCREW	124
-	1	1	1	1	-	4-21028-0	PIN, SLOTTED SPRING .094 X .750	121
-	1	1	1	1	-	21055-5	WASHER, FLAT, REG NO 6	119
-	-	-	REF	-	..	455749-1	GUARD WINDOW	116
-	-	-	REF	-	..	679532-1	INSERT, GUARD	115
-	4	4	4	4	-	21024-2	WASHER, SPRG LOCK, REG NO 4	114
-	1	1	1	1	-	690603-1	SPRING ASSIST AMP-O-MATOR APPLICATOR	112
-	1	1	1	1	-	22353-8	SCR, SHLD, SLOT HD, 3/16 DIA	100
-	2	2	2	2	-	1-22282-3	SPRING, COMPRESSION	99
-	2	2	2	2	-	1-21000-3	SCR, SKT HD CAP 4-40 X .250	92
-	1	1	1	1	-	1-21002-7	SCR, BTN SKT HD CAP 6-32 X .375	91
-	2	2	2	2	-	1-21000-5	SCR, SKT HD CAP 4-40 X .500	85
-	1	1	1	1	-	5-240641-3	SPACER	81
-	1	1	1	1	-	4088040	SF APPL INST 408-8040	72
-	1	1	1	1	-	217238-1	GENERAL INSTRUCTION PKG	71
-	1	1	1	1	-	461264-1	PLATE, IDENTIFICATION	67
-	2	2	2	2	-	21017-2	SCREW, DRIVE	66
-	1	1	1	1	-	986950-1	WASHER, FLAT PRECISION	64
-	1	1	1	1	-	21009-2	SCR, SET, SELF LOCKING 1/4-20 X .250	63
-	1	1	1	1	-	23030-1	SCR, SKT HD CAP 6-32 X .25	62
-	1	1	1	1	-	22733-8	SCR, BHSC, SELF-LOCKING, 8-32 X .375	60
-	1	1	1	1	-	2-22603-1	SCREW, MACH, HEX HD, 8-32 X .375	59
-	1	1	1	1	-	4-694433-8	FEED PAWL	56
-	1	1	1	1	-	681023-1	SHEAR HOLDER, REAR	55
-	2	2	2	2	-	2-21002-2	SCR, BTN SKT HD CAP 8-32 X .500	54
-	2	2	2	2	-	3-21000-0	SCR, SKT HD CAP 8-32 X .875	53
-	-	-	-	-	..	690602-6	CAM, PRE FEED, 1/8	49
-	-	-	-	-	..	690602-5	CAM, PRE FEED, 1/8	48
-	-	-	-	-	..	690501-4	CAM, POST-FEED 1/8	47
-	1	1	1	1	-	459456-1	APPL. BASIC SUB ASSY (SIDE WISE MQCA)	46
-	1	1	1	1	-	690191-1	PLUG, NYLON	45
-	1	1	1	1	-	455673-6	RAM, SIDE FEED	44
-	1	1	1	1	-	690125-1	SHIM SUB-ASSY	43
-	1	1	1	1	-	690124-1	WASHER, RAM (.115)	42
-	1	1	1	1	-	690686-2	CRIMPER, BOLT SPECIAL	41
-	1	1	1	1	-	23241-6	BALL, STEEL	40
-	1	1	1	1	-	690170-1	SPRING, COMPRESSION	39
-	1	1	1	1	-	690142-1	DISC, INSULATION	38
-	1	1	1	1	-	354777-1	WIRE DISC, ASSEMBLY	37
-	1	1	1	1	-	22480-5	SPRING, COMPRESSION	36
-	1	1	1	1	-	690212-1	POST, RAM	35
-	1	1	1	1	-	21024-5	WASHER, SPRG LOCK, REG NO 10	32
-	1	1	1	1	-	3-21000-4	SCR, SKT HD CAP 10-32 X .375	31
-	1	1	1	1	-	3-844048-9	PLATE, REAR STRIP GUIDE	29
-	2	2	2	2	-	5-21006-6	SCR, SET, CUP POINT 10-32 X .750	27
-	1	1	1	1	-	240793-1	LEVER, DRAG RELEASE	26
-	1	1	1	1	-	240792-1	DRAG, TERMINAL	25
-	1	1	1	1	-	1-690438-5	FRONT STRIP GUIDE	24
-	1	1	1	1	-	189124-8	GUIDE, FRONT STRIP	23
-	1	1	1	1	-	690472-2	STRIPPER	22
-	1	1	1	1	-	2-21000-7	SCR, SKT HD CAP 8-32 X .500	21
-	4	4	4	4	-	21024-4	WASHER, SPRG LOCK, REG NO 8	20
-	-	-	-	-	..	691353-1	STRIPPER	19
-	1	1	1	1	-	690463-2	FLOATING SHEAR, REAR	17
-	2	2	2	2	-	1-21002-7	SCR, BTN SKT HD CAP 6-32 X .375	16
-	3	3	3	3	-	690464-1	SHEAR PLATE, REAR	15
-	-	-	-	-	..	690462-1	SHEAR HOLDER, REAR	14
-	-	-	-	-	..	-	-	13
-	1	1	1	1	-	3-22280-3	SPRING, COMPRESSION	12
-	1	1	1	1	-	690461-1	STOP, SHEAR	11
-	-	-	-	-	..	-	-	10
-	-	-	-	-	..	-	-	9
-	1	1	1	1	-	9-1633535-6	ANVIL, COMBINATION	8
-	-	-	-	-	..	-	-	7
-	1	1	1	1	-	690468-7	DEPRESSOR SHEAR, REAR	6
-	-	-	-	-	..	-	-	5
-	1	1	1	1	-	3-238009-9	BLOCK, FL CRIMPER SPACER	4
-	1	1	1	1	-	1-1633510-9	CRIMPER, INSUL O	3
-	1	1	1	1	-	2-455888-2	SPACER, CRIMPER	2
-	1	1	1	1	-	1-1633588-3	CRIMPER, WIRE	1



DIMENSIONS:		TOLERANCES UNLESS OTHERWISE SPECIFIED:		MATERIAL:		FINISH:	
INCHES	9 PLC ±.01	1 PLC ±.01	2 PLC ±.01	3 PLC ±.001	4 PLC ±.0001	ANGLES ±.0001	
CUSTOMER DRAWING		SCALE 3:5		SHEET 1 OF 1		REV A	

CUSTOMER VIEWABLE ASSEMBLY