

2 x 4" 55W to 67W AC-DC Power Supplies

Features

- ◆ Medical & ITE Certifications
- ◆ BF Rated
- ◆ Very Low 1" profile
- ◆ Industry Standard Footprint
- ◆ Up to 89% Efficient
- ◆ <0.3W Off-load Power Draw



Key Market Segments & Applications



Specifications

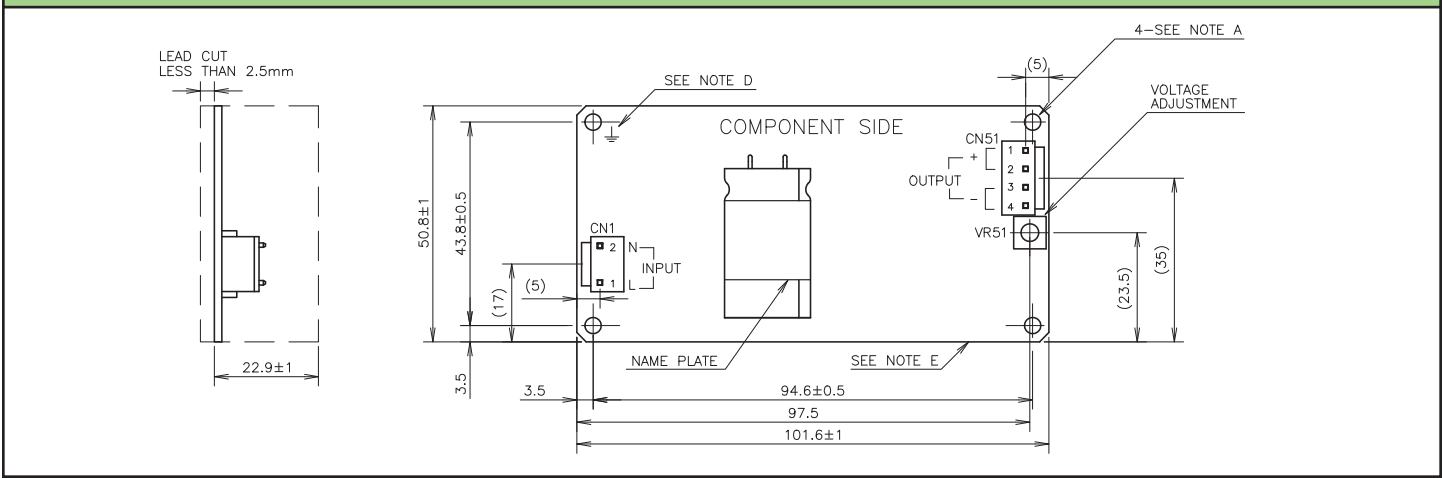
Model	MWS65	
AC Input Voltage Range	-	85 - 265VAC (47 - 440Hz)
DC Input Voltage Range	-	120 - 370VDC
Input Current (115 / 230VAC)	A	1.25 / 0.62A (Cold Start)
Inrush Current (115 / 230VAC)	A	30 / 60A
Temperature Coefficient	-	±0.02%/°C
Minimum Load	-	None
Off-load Power Draw	W	<0.3W at 230VAC
Overcurrent Protection	%	> 105%
Overvoltage Protection	%	115 - 135%
Load Regulation	%	0.8%
Line Regulation	%	0.4%
Hold Up Time (Typ)	ms	10ms / 20ms (115VAC / 230VAC input)
Leakage Current	mA	<0.25mA at 265VAC, 63Hz
Operating Temperature	°C	-20 to +70°C, derate linearly to 50% load from 50 to 70°C, Guaranteed start up at -25°C
Cooling	-	Convection
Operating Humidity (non condensing)	%RH	10 - 90% RH
Storage Temperature	°C	-40 to +85°C
Storage Humidity (non condensing)	%RH	10 - 95% RH
Withstand Voltage	-	Input to Ground 1.5kVAC, Input to Output 4kVAC, Output to Ground 1.5kVAC for 1 min.
Isolation Resistance	-	>100M at 25°C & 70%RH, Output to Ground 500VDC
Vibration (non operating)	-	19.6m/s ² (10 - 500Hz: constant sweep 1 min X, Y, Z for 1 hour)
Shock	-	< 196.1 m/s ² (20G), MIL-STD810-F
Safety Agency Certifications	-	UL60950-1, CSA60950-1, EN60950-1, EN50178 (OV II), CE Mark UL60601-1, EN60601-1 (2nd & 3rd edition)
Conducted & Radiated EMI	-	EN55011/EN55022-B, FCC Class B, VCCI-B
Immunity	-	EN61000-4-2 (lv 2,3), -3 (lv 3), -4 (lv 3), -5 (lv 2,3), -6 (lv3), -8 (lv4), -11
Weight (Typ)	g	150
Size (WxLxH)	in	2 x 4 x 1" (including underside components)
Warranty	yrs	Three Years

OBSOLETE

Model Selector

Model	Output Voltage (V)	Adjustment Range (V)	Maximum Output (A)	Output Power (W)	Ripple/Noise (mV)	Efficiency (115/230VAC) (%)
MWS65-5	5V	4.5 - 5.5V	11A	55	120mV	80 / 82
MWS65-12	12V	10.8 - 13.2V	5A	60	150mV	84 / 86
MWS65-15	15V	13.5 - 16.5V	4.4A	66	150mV	85 / 87
MWS65-24	24V	21.6 - 26.4V	2.8A	67.2	150mV	86 / 88
MWS65-48	48V	43.2 - 52.8V	1.4A	67.2	200mV	87 / 89

Outline Drawings



Other Medical AC-DC Products

KM	15 - 40W, 1 - 3 Outputs, Encapsulated
NV175, NV300	175 - 300W, 1 - 5 Outputs
EFE-M	300 - 400W, 1 Output
NV350, NV700	350 - 900W, 1 - 8 Outputs, Modular
Vega	450 - 900W, 1 - 11 Outputs, Modular
Alpha	1000W, 1 - 14 Outputs, Modular
SWS1000L	1000W, 1 Output

For Additional Information, please visit us.tdk-lambda.com/lp/products/mws-series.htm



OBSOLETE