



- 1U High
- Up to 3000W (3 units) in 19" Rack
- Hotswap capable (Oring Diodes Built In)
- Low Cost
- PoE Option

## FPS1000 Series

1000W Front End  
Power Supplies

### Key Market Segments & Applications

Power for Distributed Power Architecture  
Factory Automation  
RF Amplifiers

### FPS Features and Benefits

#### Features

- 1U High
- Hotswap capable
- High Efficiency
- Full Array of Signals

#### Benefits

- Lower Cost of Ownership
- Suitable for N+1 Redundancy
- Less Heat Dissipated in System
- Easier System Monitoring

### Specifications

MODELS		12V Nominal	24V Nominal	32V Nominal	48V Nominal
ITEMS					
Output Voltage Range	(1) V	10.5 - 13.2V	21.5 - 29V	28.8 - 38.4V	43 - 58V
Output Current	A	72A	40A	31A	21A
Line Regulation	-			<0.4%	
Load Regulation	-			<0.8%	
Output Noise	mV	150mV	200mV	250mV	300mV
Overvoltage Protection	V	14.3 to 15.7V	31 to 34V	41.5V to 45.5V	62 to 66V
Overcurrent Protection	-			105 - 125%, Constant Current type	
Load Sharing	-			Single wire current sharing, up to 8 units	
Remote Sense	-			Compensates for 1V on each output lead	
I <sup>2</sup> C Monitoring	-			Optional (Specify /S)	
Signals (opto isolated)	-			DC OK, AC Fail, and Over temperature warning, high on fail	
Remote On/Off	-			On: 0 - 0.6V or short, Off: 2- 15V or open	
Auxiliary Output	-			11.2-12.5VDC 0.25A	
AC Input	(2)			85 - 265VAC, 47 - 63Hz <sup>2</sup> (Derate 10% < 100VAC)	
Leakage Current	mA			<1.1mA at 230VAC input	
Inrush Current	A			<40A	
Hold up time (100VAC input)	-			20ms typical (at 80% rated load)	
Efficiency (typ) 100/200VAC	-	81 / 83%	84 / 86%	84 / 86%	85 / 88%
Power Factor Correction	-			EN61000-3-2 class A (20-100% load), >0.98 at full load	
Immunity	-			EN61000-4-2, -3, -4, -5, -6, -11	
EMC (conducted and radiated)	-			EN55022, level B, FCC Class B	
Operating Temperature	°C			0°C to +70°C, derate 2%/°C from 50°C to 60°C, 2.5%/°C from 60°C to 70°C	
Storage Temperature	°C			-30°C to +85°C	
Withstand Voltage	-			Input to Output 3kVAC, Input to Ground 2kVAC, Output to Ground 500VAC for 1 min.	
Cooling	-			Two internal fans, airflow from front to back (variable speed)	
Humidity	-			Operating: 10 - 90% RH, Storage: 10 - 95% RH (non condensing)	
Shock & Vibration	-			Built to meet ETS 300 019	
Safety Agency	-			UL60950-1, EN60950-1, CE Mark	
Input / Output Connector	-			Positronic PCIB24W9M400A1 (Mating #PCIB24W9F400A1)	
Front panel indicators	-			AC OK, DC OK, DC Fail	
Size (HxWxL)	mm			Stand alone: 41 x 127 x 290; Rack: 44 x 400 x 351	
Weight	g			2,000	
Warranty	yr			2	

**Note 1** Via Trim pin on output connector

**Note 2** 47-440Hz with reduced PFC (100-265VAC)

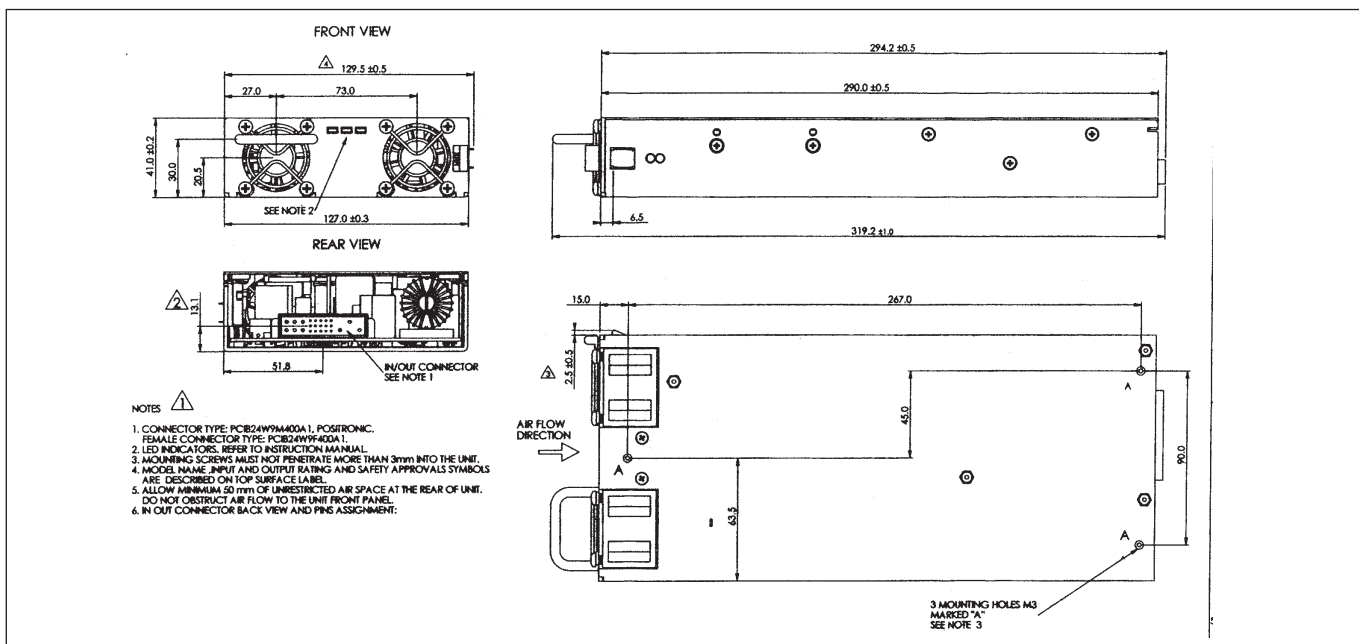
Model Selector				
Front AC Input Panel Configuration	Output Voltage	Output Current	Max Power	I <sup>2</sup> C Interface
FPS100012/P	12V	72A	864W	No
FPS100012/PS	12V	72A	864W	Yes
FPS100024/P	24V	40A	960W	No
FPS100024/PS	24V	40A	960W	Yes
FPS100032/P	32V	31A	992W	No
FPS100032/PS	32V	31A	992W	Yes
FPS100048/P	48V	21A	1008W	No
FPS100048/PS	48V	21A	1008W	Yes
FPSS1U/P	Rack (3 slot), contains two blanking panels			
FPST1U/P	Rack with 3 individual outputs (floating)			
Rear AC Input Panel Configuration	Output Voltage	Output Current	Max Power	I <sup>2</sup> C Interface
FPS100012	12V	72A	864W	No
FPS100012/S	12V	72A	864W	Yes
FPS100024	24V	40A	960W	No
FPS100024/S	24V	40A	960W	Yes
FPS100032	32V	31A	992W	No
FPS100032/S	32V	31A	992W	Yes
FPS100048	48V	21A	1008W	No
FPS100048/S	48V	21A	1008W	Yes
FPSS1U	Rack (3 slot), contains two blanking panels			
FPST1U	Rack with 3 individual outputs (floating)			

Options	
Suffix	Description
/POE*	1500VAC Output to Ground Isolation (output noise 400mV)
*FPS100048 only	

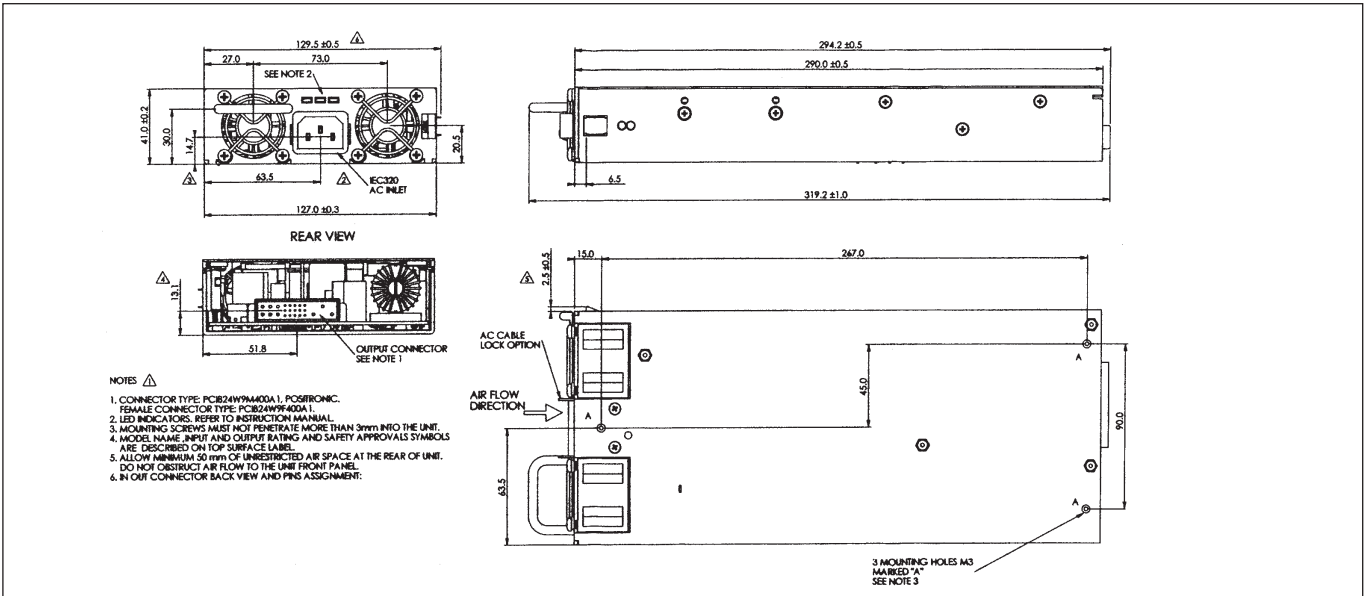
Full System (3 Modules & FPS s1U rack)

FPS3000 -	XX	/ X	
	12	BLANK	= Standard
	24	S	= I <sup>2</sup> C
	32	P	= FRONT AC INPUT
	48		

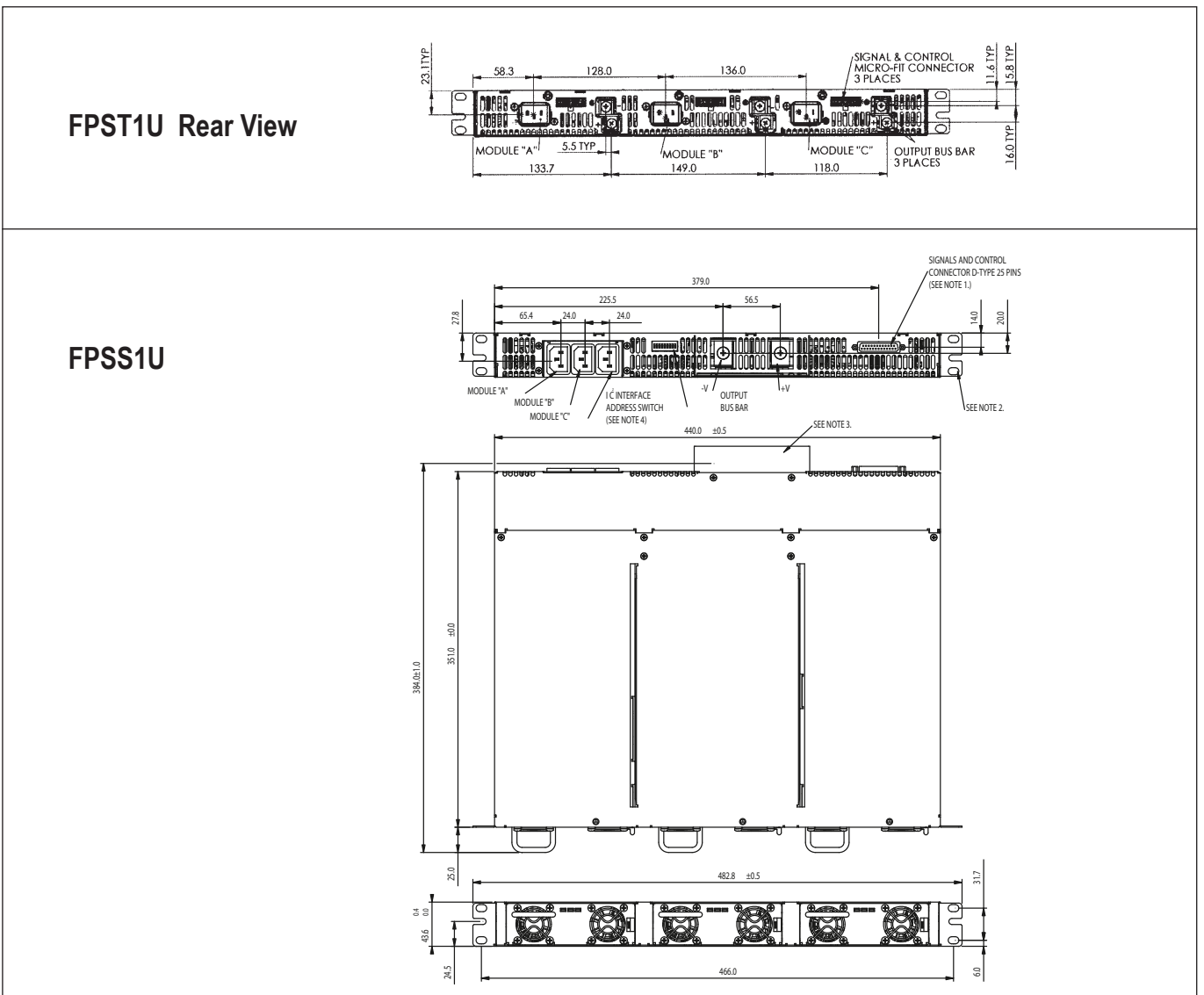
Outline Drawing FPS1000 Series



## Outline Drawing FPS1000/P Series



## Outline Drawing FPS Racks





**TDK-Lambda France SAS**

ZAC des Delaches  
 CS 41077  
 9 rue Thuillere  
 91978 Villebon Courtaboeuf  
 France  
 Tel: +33 1 60 12 71 65  
 Fax: +33 1 60 12 71 66  
[france@fr.tdk-lambda.com](mailto:france@fr.tdk-lambda.com)  
[www.fr.tdk-lambda.com](http://www.fr.tdk-lambda.com)



**Italy Sales Office**

Via dei Lavoratori 128/130  
 20092 Cinisello Balsamo (MI)  
 Italy  
 Tel: +39 02 61 29 38 63  
 Fax: +39 02 61 29 09 00  
[info.italia@it.tdk-lambda.com](mailto:info.italia@it.tdk-lambda.com)  
[www.it.tdk-lambda.com](http://www.it.tdk-lambda.com)



**Netherlands**

[info@tdk-lambda.nl](mailto:info@tdk-lambda.nl)  
[www.tdk-lambda.nl](http://www.tdk-lambda.nl)



**TDK-Lambda Germany GmbH**

Karl-Bold-Strasse 40  
 77855 Achern  
 Germany  
 Tel: +49 7841 666 0  
 Fax: +49 7841 5000  
[info.germany@de.tdk-lambda.com](mailto:info.germany@de.tdk-lambda.com)  
[www.de.tdk-lambda.com](http://www.de.tdk-lambda.com)



**Austria Sales Office**

Aredstrasse 22  
 2544 Leobersdorf  
 Austria  
 Tel: +43 2256 655 84  
 Fax: +43 2256 645 12  
[info.germany@de.tdk-lambda.com](mailto:info.germany@de.tdk-lambda.com)  
[www.de.tdk-lambda.com](http://www.de.tdk-lambda.com)



**Scandinavia Sales Office**

Valdemarsgade 7  
 4100 Ringsted  
 Denmark  
 Tel: +45 24 63 95 65  
 Fax: +45 69 80 44 99  
[info@de.tdk-lambda.com](mailto:info@de.tdk-lambda.com)  
[www.emea.tdk-lambda.com](http://www.emea.tdk-lambda.com)



**Switzerland Sales Office**

Bahnhofstrasse 50  
 8305 Dietlikon  
 Switzerland  
 Tel: +41 44 850 53 53  
 Fax: +41 44 850 53 50  
[info@de.tdk-lambda.com](mailto:info@de.tdk-lambda.com)  
[www.de.tdk-lambda.com](http://www.de.tdk-lambda.com)



**TDK-Lambda UK Ltd.**

Kingsley Avenue  
 Ilfracombe  
 Devon EX34 8ES  
 United Kingdom  
 Tel: +44 (0) 12 71 85 66 66  
 Fax: +44 (0) 12 71 86 48 94  
[powersolutions@uk.tdk-lambda.com](mailto:powersolutions@uk.tdk-lambda.com)  
[www.uk.tdk-lambda.com](http://www.uk.tdk-lambda.com)



**TDK-Lambda Ltd.**

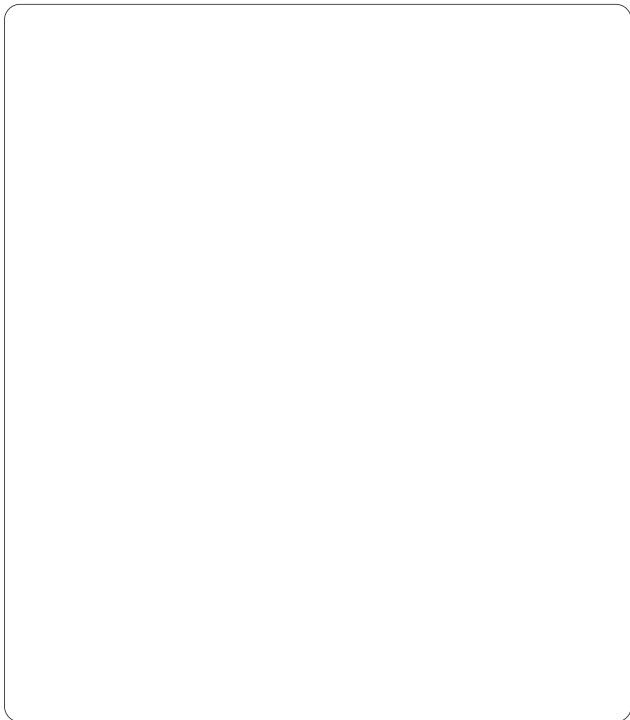
Kibbutz  
 Givat Hashlosha 48800  
 Israel  
 Tel: +9 723 902 4333  
 Fax: +9 723 902 4777  
[info@tdk-lambda.co.il](mailto:info@tdk-lambda.co.il)  
[www.tdk-lambda.co.il](http://www.tdk-lambda.co.il)



**C.I.S.**

**Commercial Support:**  
 Tel: +7 (495) 665 2627  
**Technical Support:**  
 Tel: +7 (812) 658 0463  
[info@tdk-lambda.ru](mailto:info@tdk-lambda.ru)  
[www.tdk-lambda.ru](http://www.tdk-lambda.ru)

**Local Distribution**



[www.emea.tdk-lambda.com](http://www.emea.tdk-lambda.com)