

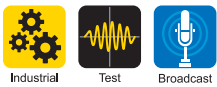
## 75W Dual or Triple Output Low Profile Power Supplies

### Features

- ◆ 3 x 5 x 1.06" footprint
- ◆ Output 1 isolated from outputs 2 & 3
- ◆ No minimum loading
- ◆ Convection Cooled
- ◆ Three year warranty



### Key Market Segments & Applications



Specifications			
Model		CUT75-522	CUT75-5FF
AC Input Voltage (1)	VAC	85 - 265VAC	
Input Frequency	Hz	47 - 63Hz	
DC Input Voltage	VDC	120 - 370VDC (No safety certification)	
Inrush Current (cold start)	A	18A at 100VAC, 36A at 200VAC	
Power Factor	-	Meets EN61000-3-2	
Input Current (100 / 200VAC)	A	2 / 1	
Temp. Coefficient (-20 to +70°C)	-	V1: <0.02%/°C, V2 & 3 <0.03%/°C	
Overcurrent Protection	-	> 105%	
Overvoltage Protection (2)	V	V1: 5.7-7.0, V2: 13.8 - 18.8V	V1: 5.7-7.0, V2: 17.2 - 21.0V
Efficiency (Typical)	%	85% at 200VAC input	
Hold Up Time (115 / 230V input)	ms	20ms	
Leakage Current (265VAC 50Hz)	mA	<0.3mA	
Operating Temperature (3)	-	-20 to +70°C. Derate linearly to 60% load from +50 to +70°C	
Storage Temperature	-	-30 to +85°C	
Op. Humidity (non condensing)	-	5 - 95% RH	
Cooling	-	Convection	
Withstand Voltage	-	Input to Ground 2kVAC, Input to Output 3kVAC, Output to Ground 500VAC, V1 to V2 / V3 500VAC for 1 min.	
Isolation Resistance	-	>100M at 25°C & 70%RH, Output to Ground 500VDC	
Vibration (non operating)	-	10 - 55Hz: 19.6m/s <sup>2</sup> constant sweep 1 min X, Y, Z for 1 hour	
Shock	-	< 196.1 m/s <sup>2</sup> (20G)	
Immunity	-	IEC61000-4-2 (lv 3, 4), -3 (lv3), -4 (lv 4), -5 (lv3, 4), -6 (lv 3), -8 (lv 4), -11	
Safety Agency Certifications	-	UL60950-1, CSA60950-1-07 (cTUVus), EN60950-1, CE Mark	
Conducted & Radiated EMI	-	EN55011/EN55022-B, FCC--B	
Weight (Typ)	g	210 (open frame version)	
Size (WxLxH)	in (mm)	3 x 5 x 1.06" (76 x 127 x 27)	
Warranty	-	Three Years	

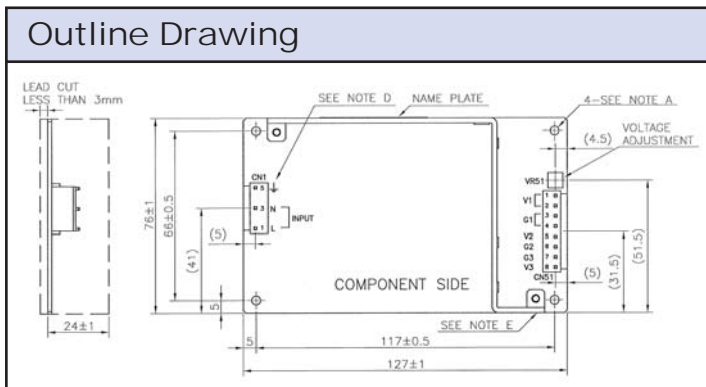
(1) Derate linearly to 60% load from 100VAC to 85VAC input

(2) Cycle AC to reset

(3) See derating curves in installation manual for all mounting orientatons

Model Selector								
Model		Voltage (V)	Adjust Range (V)	Max Current (A)	Max Power (W)	Load Reg (mV)	Line Reg (mV)	Ripple Noise (mV)
CUT75-522	V 1	5V	5.0 - 5.25	8	40	100	50	120
	V2	+12V	Fixed	3	36	600	240	150
	V3	-12V	Fixed	1		600	240	150
CUT75-522	V1	5V	5.0 - 5.25	8	40	100	50	120
	V2	24V	Fixed	1	24	750	300	150
(Leave common terminal unconnected)								
CUT75-5FF	V1	5V	5.0 - 5.25	8	40	100	50	120
	V2	+15V	Fixed	2.5	37.5	750	300	150
	V3	-15V	Fixed	1		750	300	150
CUT75-5FF	V1	5V	5.0 - 5.25	8	40	100	50	120
	V2	30V	Fixed	1	30	750	300	150
(Leave common terminal unconnected)								

Note: CUT75 can be configured as a dual or triple output.



Options	
Suffix	Description
Blank	Open frame with JST connectors
/A	Cover with JST connectors
/B	Baseplate with JST connectors
/T	Open frame with screw connections
/TA	Cover with screw connections
/TB	Baseplate with screw connections

Preferred Model

Similar Models	
SC40-60	3x5" 40W to 60W 1 to 3 outputs
ZPT	2x4" 40W 1 to 3 outputs
NV175	3x5" 175W, 1 to 4 outputs
ZMS100	2x4" 100W single output

For Additional Information, please visit [us.tdk-lambda.com/lp/products/cut75-series.htm](http://us.tdk-lambda.com/lp/products/cut75-series.htm)

