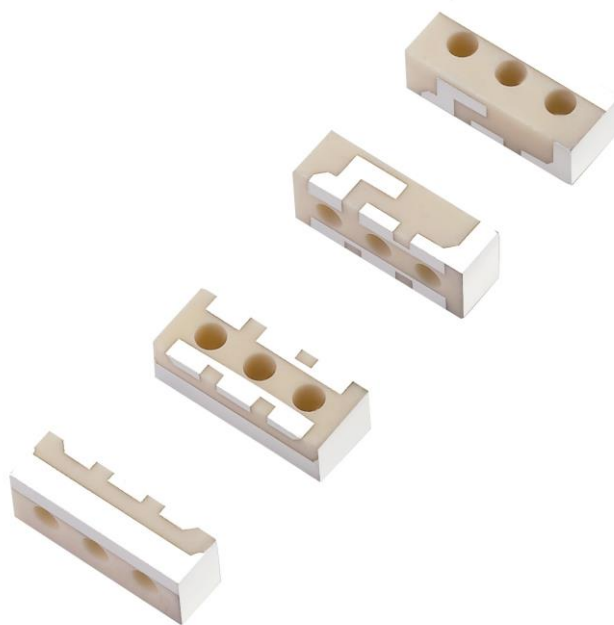


SPECIFICATION

| | | |
|--------------|---|--|
| Part No. | : | PA.11 |
| Product Name | : | 2.4GHz Band Dielectric Ceramic PIFA SMT Antenna for Bluetooth/WLAN/Zigbee Applications |
| Description | : | 2400-2484Mhz, 1.5dBi Peak Gain Size: 10mm*4mm*3mm Designed for the top right hand corner edge of the Component side of the board (bottom left corner edge) SMT Mount RoHS Compliant |



1. Introduction

This specification covers the Dielectric PIFA Antenna for 2400-2484MHz, covering such applications as Wi-Fi, Bluetooth and Zigbee. A ceramic dielectric

PIFA antenna offers smallest footprint, superior gain characteristics and improved isolation over traditional PCB based antennas. This antenna has been developed for the top right hand corner edge of the component side of the Board (bottom left corner edge), the antenna has to be positioned on a non-ground (copper/metal free) area with the feed-point matched direct to the module. Please refer to Recommended Foot print Diagram (8.0 Page 13.).

Many module manufacturers specify peak gain limits for any antennas that are to be connected to that module. Those peak gain limits are based on free-space conditions. In practice, the peak gain of an antenna tested in free-space can degrade by at least 1 or 2dBi when put inside a device. So ideally you should go for a slightly higher peak gain antenna than mentioned on the module specification to compensate for this effect, giving you better performance.

Upon testing of any of our antennas with your device and a selection of appropriate layout, integration technique, or cable, Taoglas can make sure any of our antennas' peak gain will be below the peak gain limits. Taoglas can then issue a specification and/or report for the selected antenna in your device that will clearly show it complying with the peak gain limits, so you can be assured you are meeting regulatory requirements for that module.

For example, a module manufacturer may state that the antenna must have less than 2dBi peak gain, but you don't need to select an embedded antenna that has a peak gain of less than 2dBi in free-space. This will give you a less optimized solution. It is better to go for a slightly higher free-space peak gain of 3dBi or more if available. Once that antenna gets integrated into your device, performance will degrade below this 2dBi peak gain due to the effects of GND plane, surrounding components, and device housing. If you want to be absolutely sure, contact Taoglas and we will test. Choosing a Taoglas antenna with a higher peak gain than what is specified by the module manufacturer and enlisting our help will ensure you are getting the best performance possible without exceeding the peak gain limits.

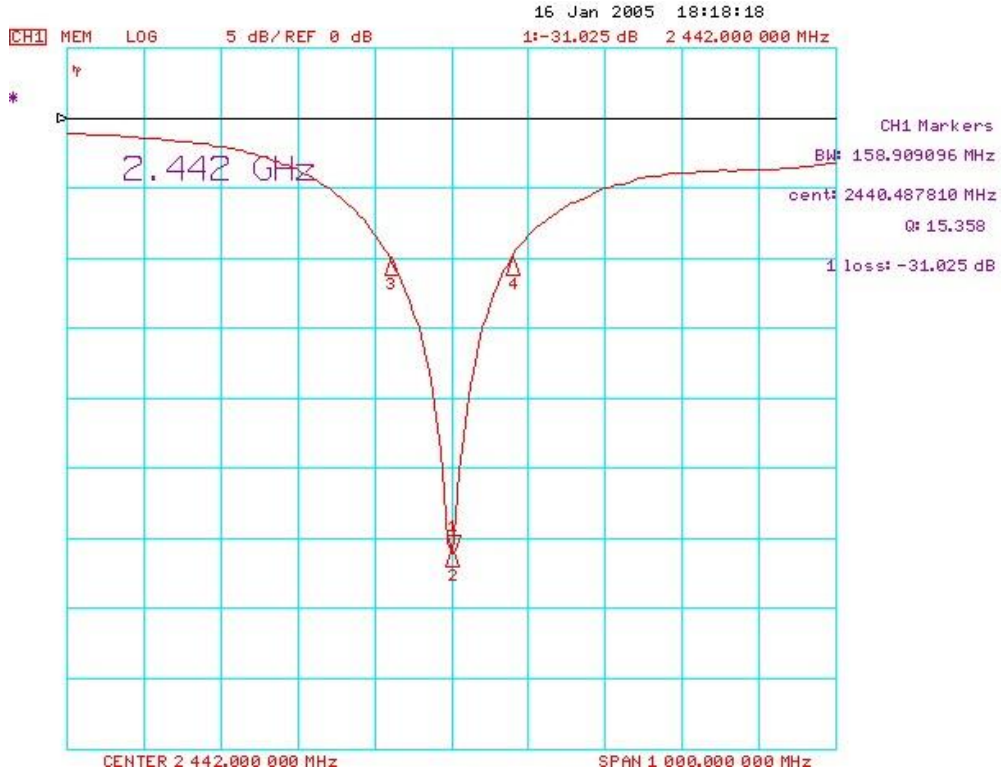
2. Electrical Specifications

The antenna has the electrical characteristics given in Table 1 under the Taoglas standard installation conditions as shown in the Evaluation Board. figure.

| SPECIFICATION | |
|-----------------------|--|
| Working Frequency | 2400MHz ~ 2484MHz |
| Dimensions | 10*4*3mm |
| Peak Gain | 1.5 dBi max |
| Polarization | Linear |
| Impedance | 50 Ω |
| VSWR | 2.0 max |
| Operating Temperature | -40~+85°C |
| Termination | Ag(Environmentally Friendly Lead-Free) |

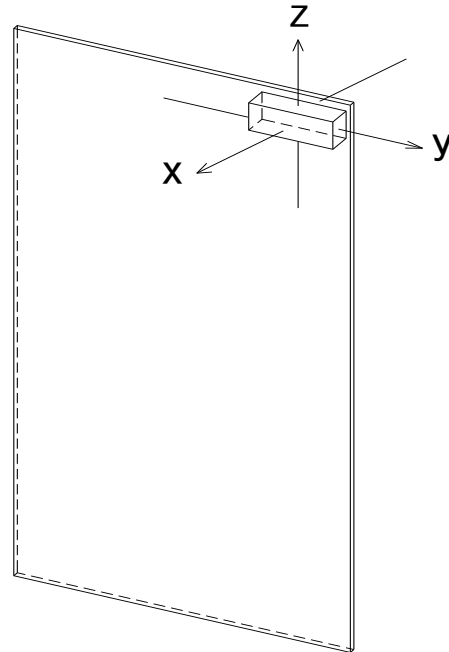
* Data is measured on Taoglas Standard Reference PCB

3. S11 Response Curve



- * Gain is measured on test PCB (40*80*0.8)
- * Ant position: Right side, top corner edge, horizontal

4. Test Position



5. Summary of Test Results

5.1. Gain & Efficiency

| Frequency (GHz) | Peak Gain(dBi) | Efficiency (%) |
|-----------------|----------------|----------------|
| 2.400 | 2.78 | 80.64 |
| 2.442 | 31.2 | 85.65 |
| 2.450 | 3.27 | 86.50 |
| 2.4835 | 2.76 | 75.91 |
| 2.500 | 2.34 | 68.07 |

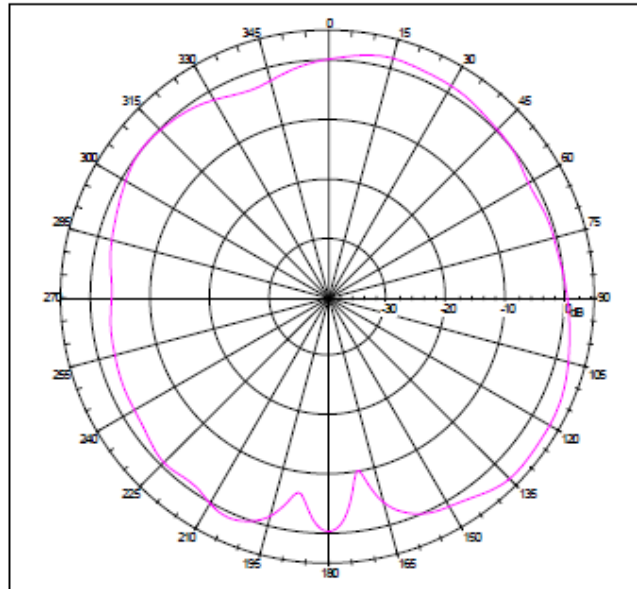
5.2. Power Average Gain

| Frequency (GHz) | Plane | Average Gain (dBi) |
|-----------------|----------|--------------------|
| 2.400 | XY plane | -1.622 |
| | YZ plane | -1.324 |
| | XZ plane | -0.561 |
| 2.442 | XY plane | -2.464 |
| | YZ plane | -0.859 |
| | XZ plane | -0.312 |
| 2.450 | XY plane | -1.424 |
| | YZ plane | -0.950 |
| | XZ plane | -0.224 |
| 2.4835 | XY plane | -2.949 |
| | YZ plane | -1.548 |
| | XZ plane | -0.784 |
| 2.500 | XY plane | -2.444 |
| | YZ plane | -2.084 |
| | XZ plane | -1.258 |

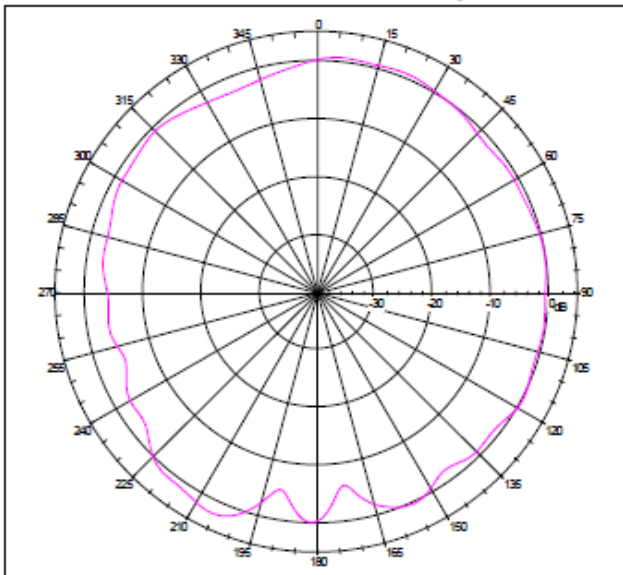
6. Antenna Pattern – Wi-Fi & Bluetooth

6.1. Frequency: 2.400 GHz

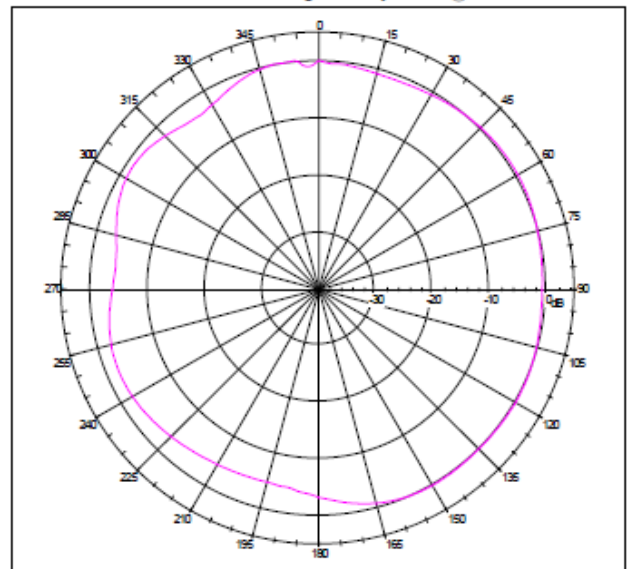
Far-field Power Distribution on X-Z Plane(E-Plane of L3 Pol Sense)
Gain=2.78 dBi; Total Radiating Efficiency: 80.64% @2.40000 GHz



Far-field Power Distribution on Y-Z Plane(H-Plane of L3 Pol Sense)
Gain=2.78 dBi; Total Radiating Efficiency: 80.64% @2.40000 GHz

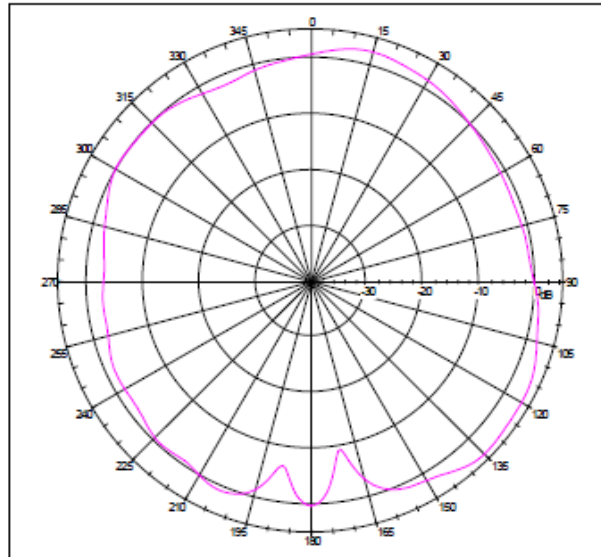


Far-field Power Distribution on X-Y Plane
Gain=2.78 dBi; Total Radiating Efficiency: 80.64% @2.40000 GHz

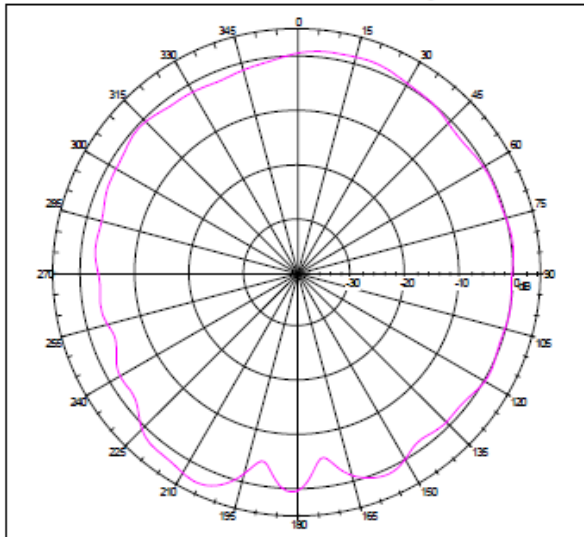


6.2. Frequency: 2.442 GHz

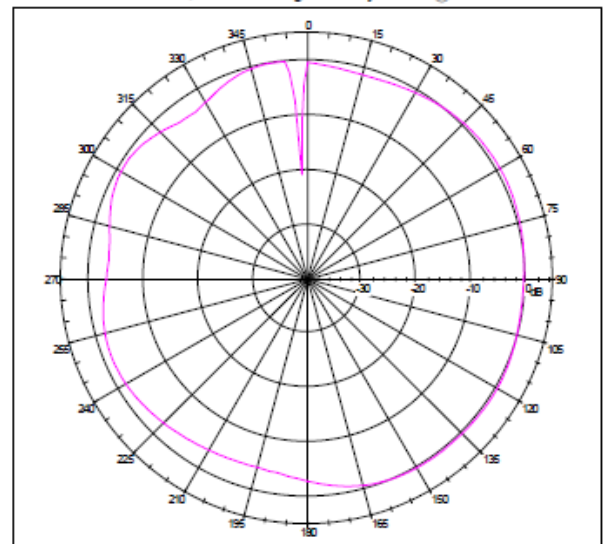
Far-field Power Distribution on X-Z Plane(E-Plane of L3 Pol Sense)
Gain=3.12 dBi; Total Radiating Efficiency: 85.65% @2.44200 GHz



Far-field Power Distribution on Y-Z Plane(H-Plane of L3 Pol Sense)
Gain=3.12 dBi; Total Radiating Efficiency: 85.65% @2.44200 GHz

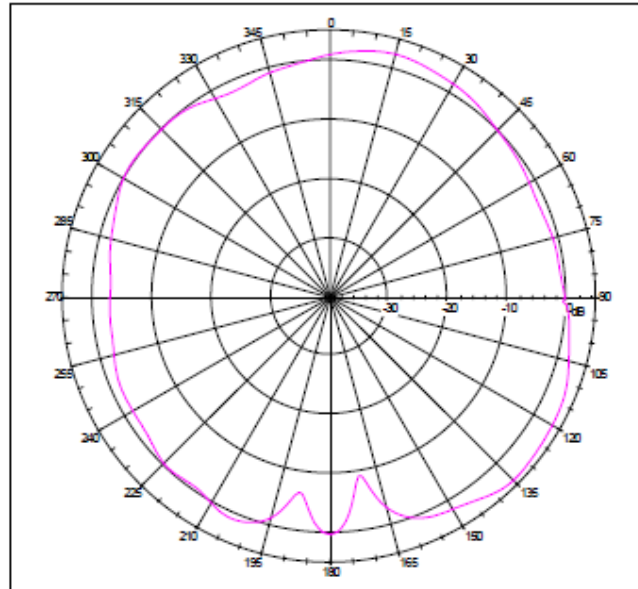


Far-field Power Distribution on X-Y Plane
Gain=3.12 dBi; Total Radiating Efficiency: 85.65% @2.44200 GHz

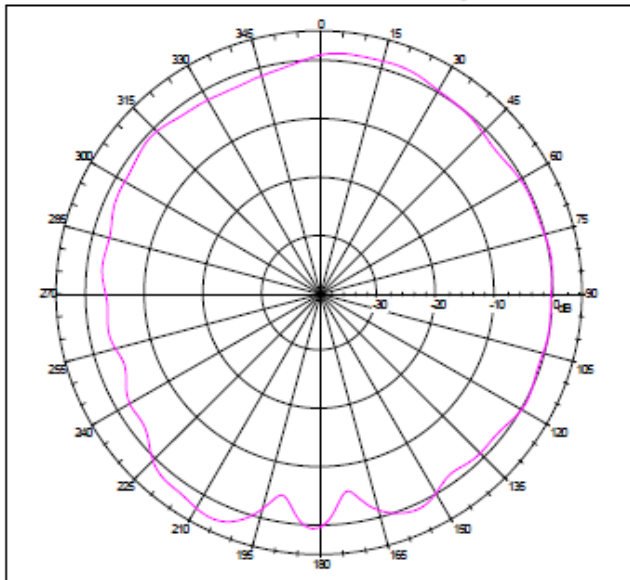


6.3. Frequency: 2.450 GHz

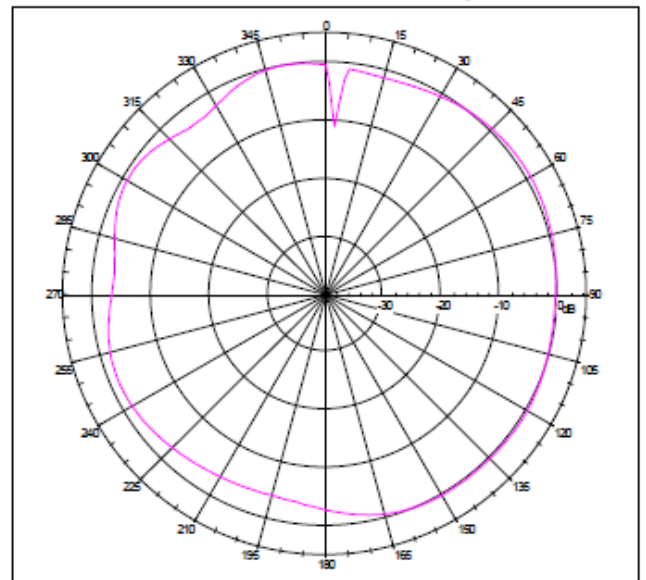
Far-field Power Distribution on X-Z Plane(E-Plane of L3 Pol Sense)
Gain=3.27 dBi; Total Radiating Efficiency: 86.20% @2.45000 GHz



Far-field Power Distribution on Y-Z Plane(H-Plane of L3 Pol Sense)
Gain=3.27 dBi; Total Radiating Efficiency: 86.20% @2.45000 GHz

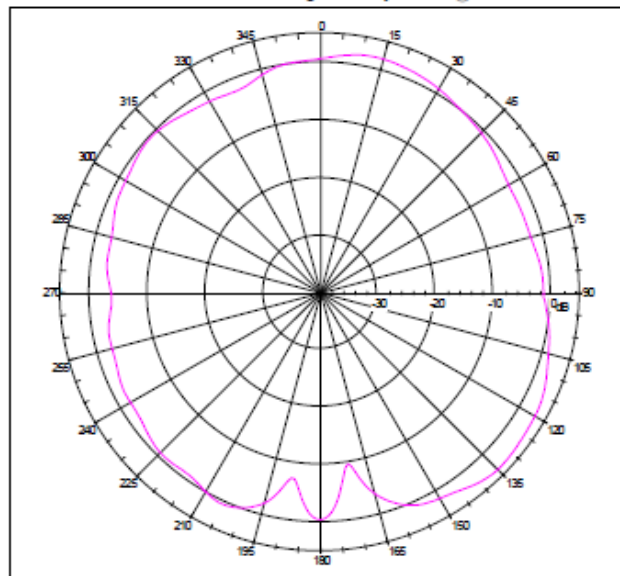


Far-field Power Distribution on X-Y Plane
Gain=3.27 dBi; Total Radiating Efficiency: 86.20% @2.45000 GHz

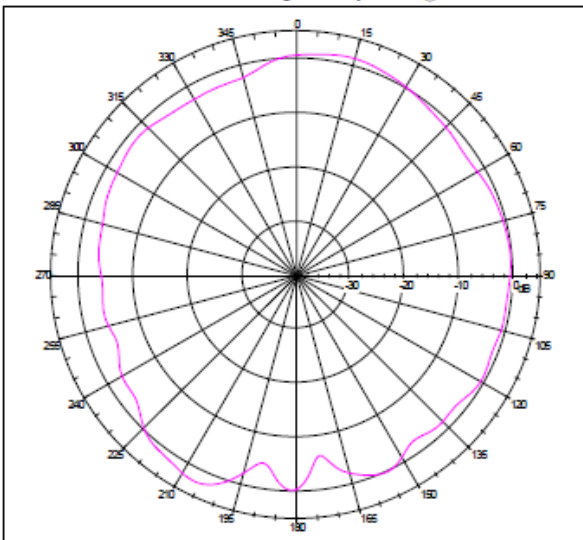


6.4. Frequency: 2.4835 GHz

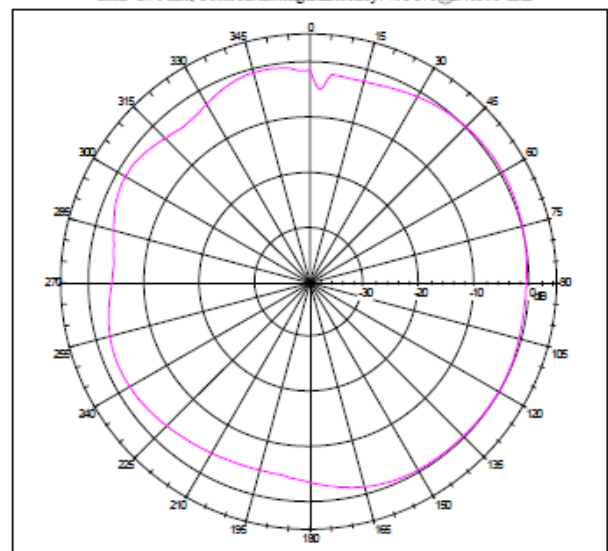
Far-field Power Distribution on X-Z Plane(E-Plane of L3 Pol Sense)
Gain=2.76 dBi; Total Radiating Efficiency: 75.91% @2.4835 GHz



Far-field Power Distribution on Y-Z Plane(H-Plane of L3 Pol Sense)
Gain=2.76 dBi; Total Radiating Efficiency: 75.91% @2.4835 GHz

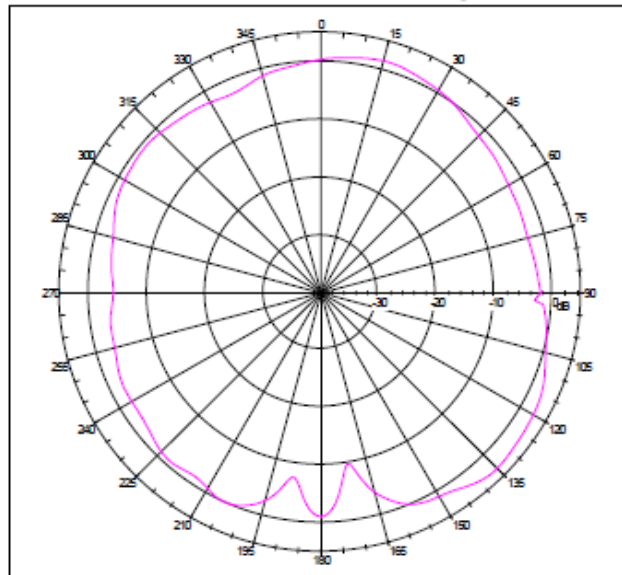


Far-field Power Distribution on X-Y Plane
Gain=2.76 dBi; Total Radiating Efficiency: 75.91% @2.4835 GHz

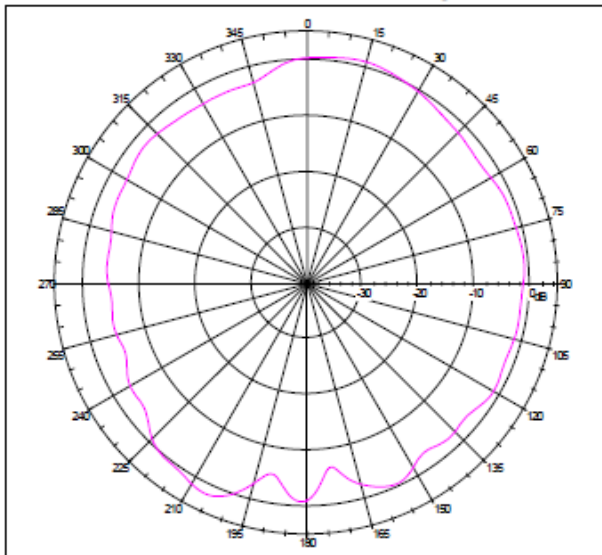


6.5. Frequency: 2.500 GHz

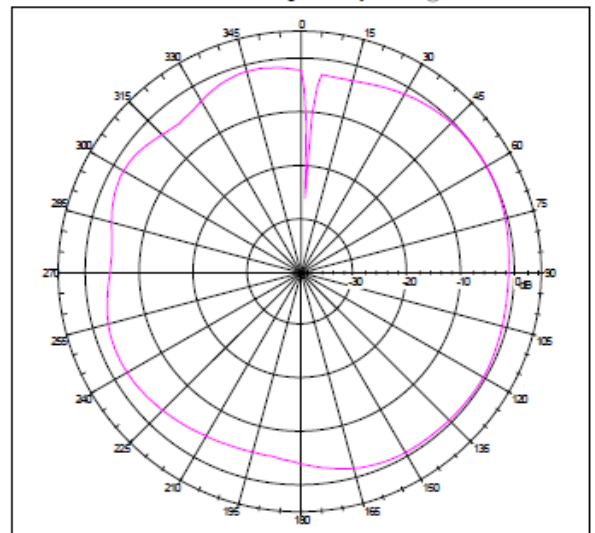
Far-field Power Distribution on X-Z Plane(E-Plane of L3 Pol Sense)
Gain=2.34 dBi; Total Radiating Efficiency: 68.07% @2.50000 GHz



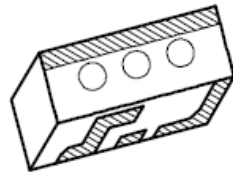
Far-field Power Distribution on Y-Z Plane(H-Plane of L3 Pol Sense)
Gain=2.34 dBi; Total Radiating Efficiency: 68.07% @2.50000 GHz



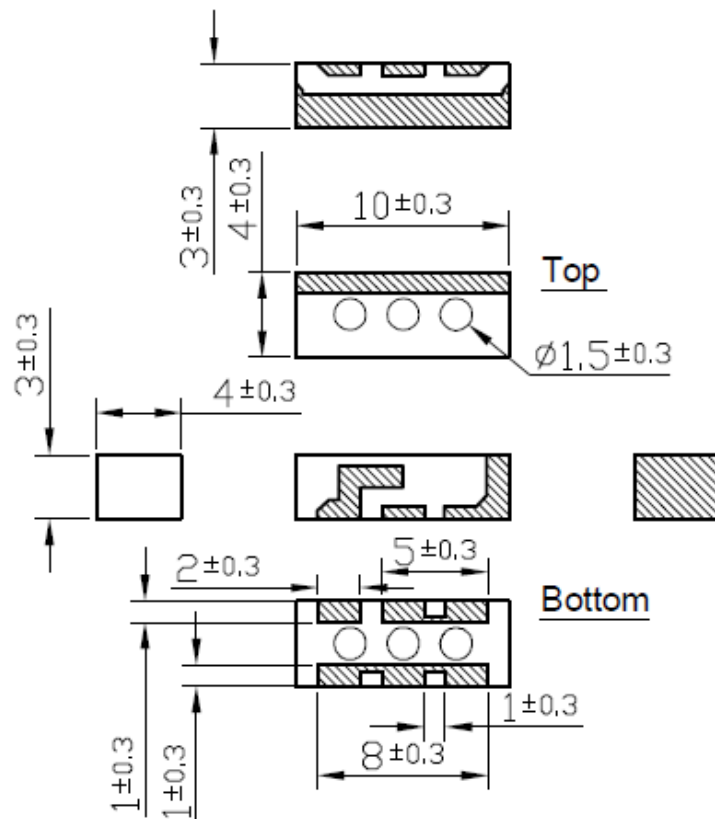
Far-field Power Distribution on X-Y Plane
Gain=2.34 dBi; Total Radiating Efficiency: 68.07% @2.50000 GHz





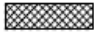

7. Drawing



3D View

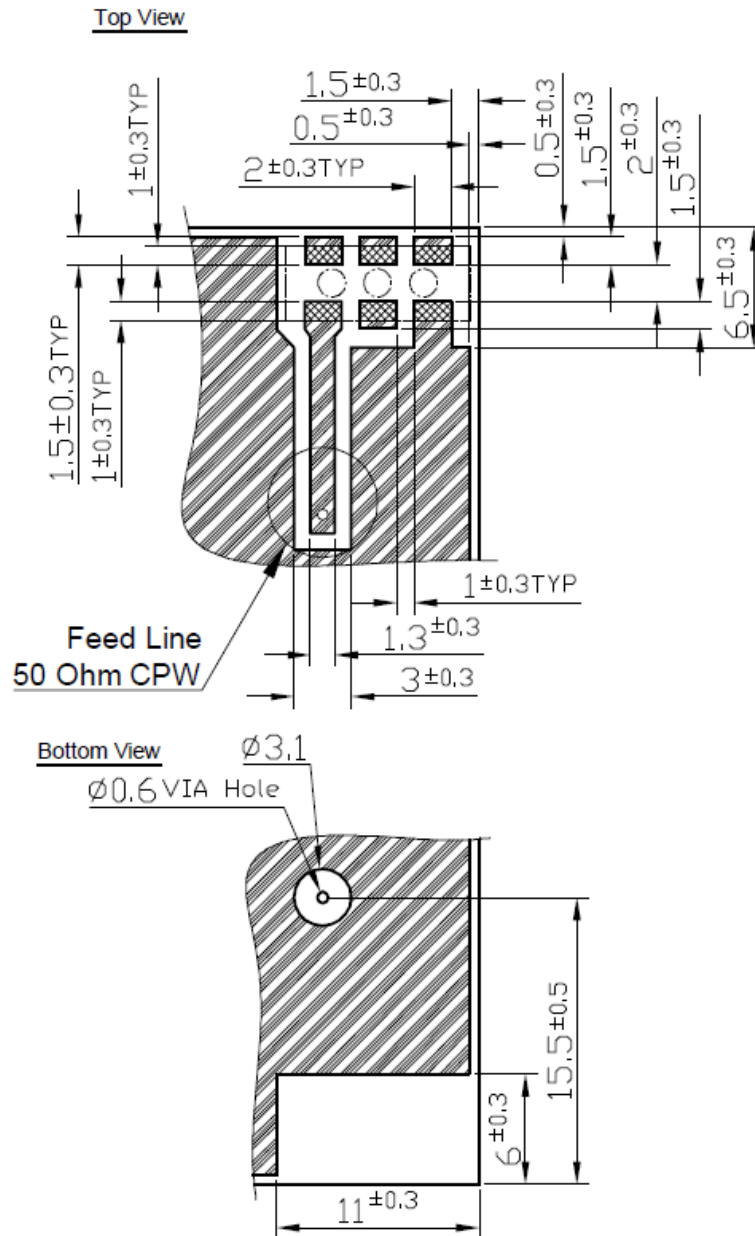


Note:

- 1. Silver 
- 2. Copper 
- 3. Solder Area 
- 4. Ground Clearance Area 

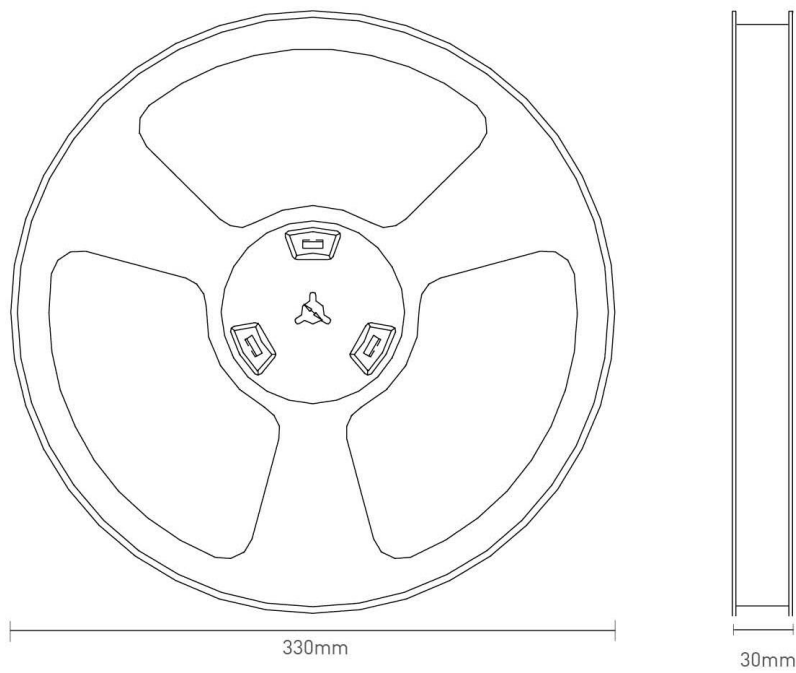
8. Recommended foot print for Evaluation Board

Footprint
0.8t PCB

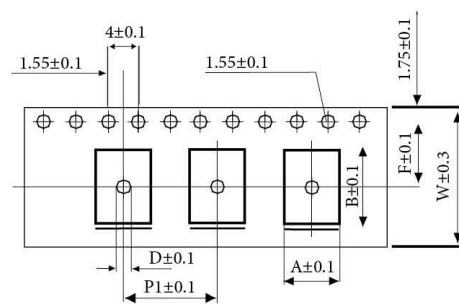


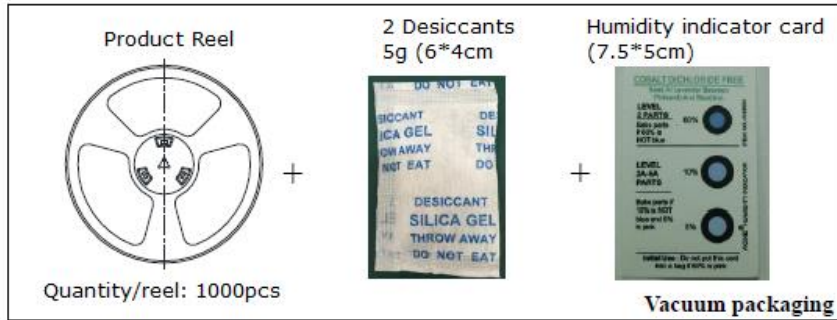
9. Packaging

1000 pcs PA.11 reel
 Dimensions - 330*30mm
 Weight - 1.1kg

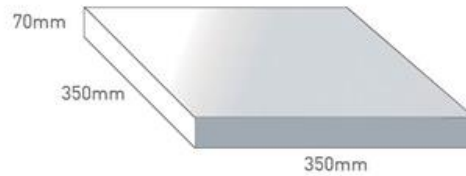


| No. | Index | Spec. (mm) |
|-----|-------|------------|
| 1 | A | 4.6 |
| 2 | B | 10.6 |
| 3 | P1 | 12 |
| 4 | W | 24 |
| 5 | F | 8.5 |
| 6 | T | 3.5 |
| 7 | D | 1.5 |

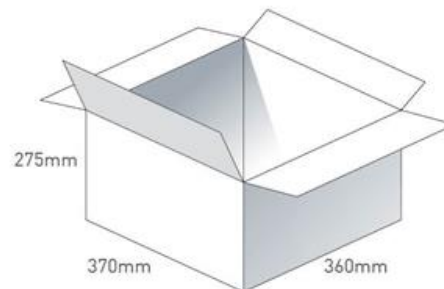




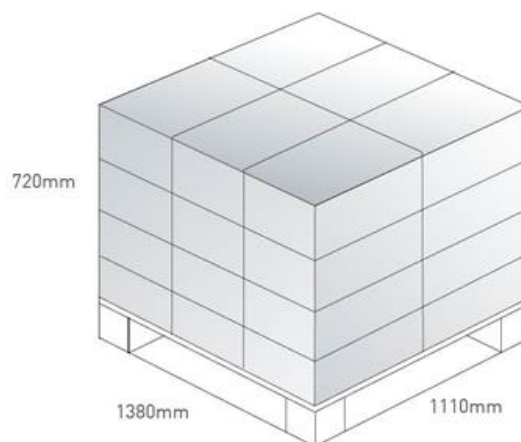
1000 pcs PA.11
1 reel in small inner box
Dimensions - 350*350*70
Weight - 1.4Kg



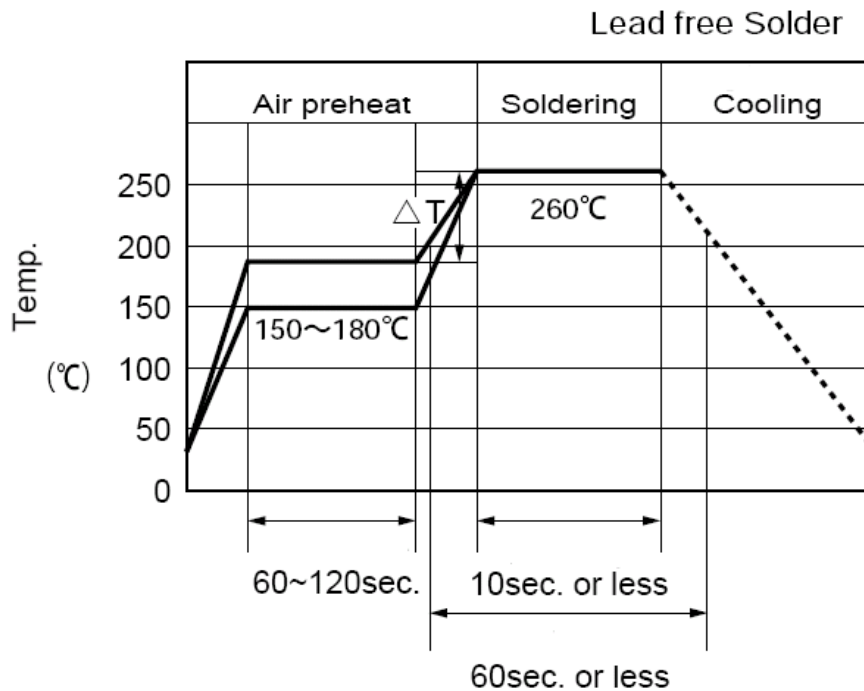
5 boxes / 5000 pcs in one carton
Carton Dimensions - 370*360*275mm
Weight - 7Kg



Pallet Dimensions 1110*720*1380mm
24 Cartons per Pallet
6 Cartons per layer
4 Layers



10. Recommended Reflow Temperature Profile



1. Time shown in the above figures is measured from the point when chip surface reaches temperature.
2. Temperature difference in high temperature part should be within 110°C.
3. After soldering, do not force cool, allow the parts to cool gradually.

*General attention to soldering:

- High soldering temperatures and long soldering times can cause leaching of the termination, decrease in adherence strength, and the change of characteristic may occur.
- For soldering, please refer to the soldering curves above. However, please keep exposure to temperatures exceeding 200°C to under 50 seconds.
- Please use a mild flux (containing less than 0.2wt% Cl). Also, if the flux is water soluble, be sure to wash thoroughly to remove any residue from the underside of components that could affect resistance.

Cleaning:

When using ultrasonic cleaning, the board may resonate if the output power is too high. Since this vibration can cause cracking or a decrease in the adherence of the termination, we recommend that you use the conditions below.

Frequency: 40kHz

Output Power: 20W/liter

Cleaning Time: 5 minutes max

Taoglas makes no warranties based on the accuracy or completeness of the contents of this document and reserves the right to make changes to specifications and product descriptions at any time without notice. Taoglas reserves all rights to this document and the information contained herein.

Reproduction, use or disclosure to third parties without express permission is strictly prohibited.

Copyright © Taoglas Ltd.