

SPECIFICATION

Part No : **GP.1575.15.4.B.02**

Product Name : 15mm*15mm*4mm
1575mhz GPS/GALILEO Patch
Antenna
RoHS Compliant



1. Introduction

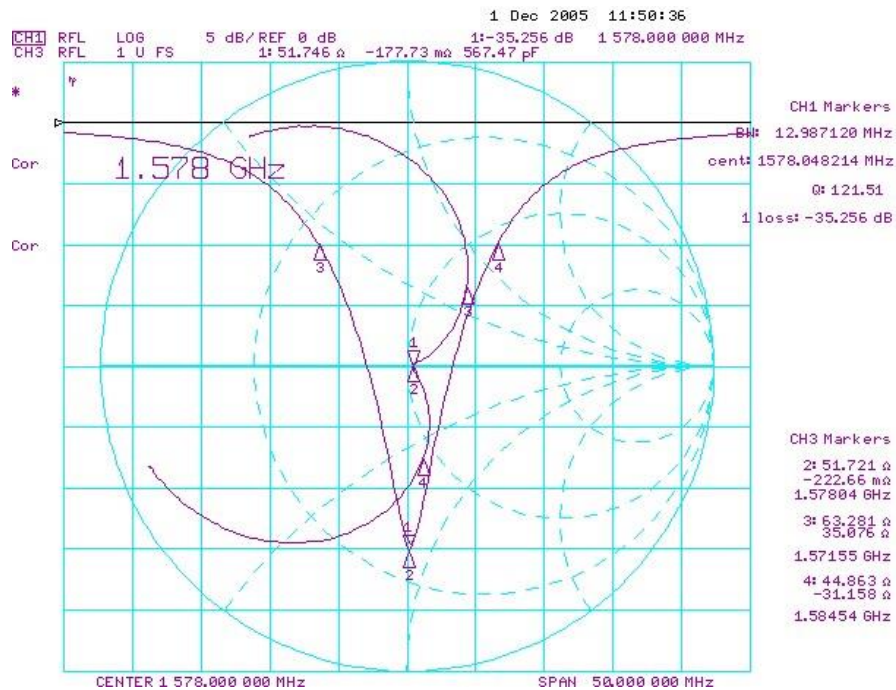
This miniaturized ceramic GPS/GALILEO patch antenna is based on smart *XtremeGain*™ technology. It is mounted via pin and double-sided adhesive and has been selected as optimal solution for the customer device environment.

2. Specification Table

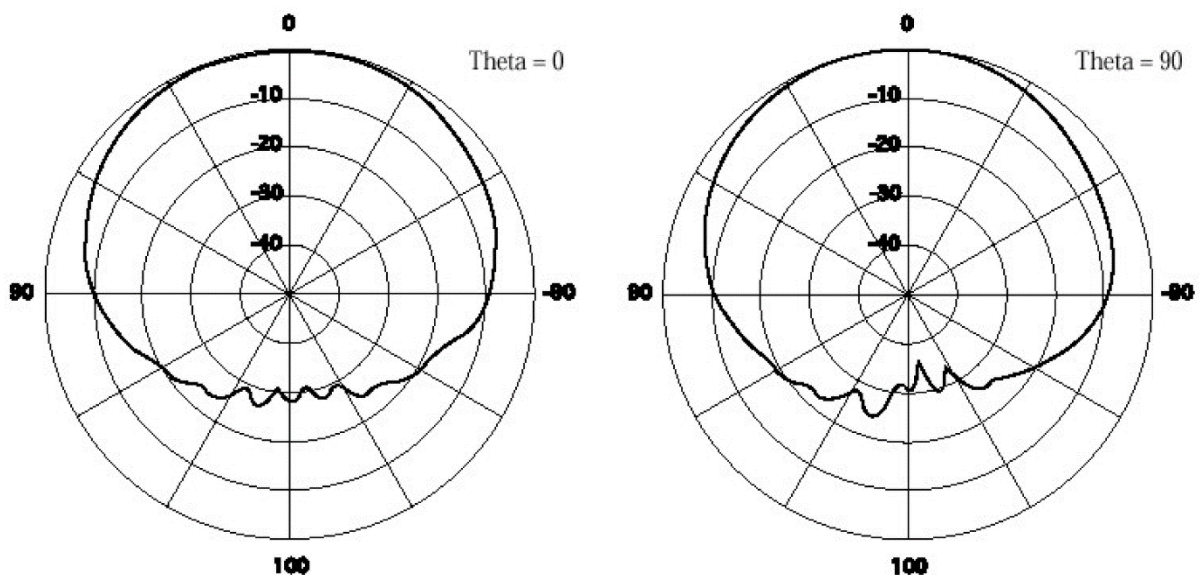
No	Parameter	Specification	Notes
1	Range of Receiving Frequency	1575.42 MHz \pm 1.023 MHz	
2	Center Frequency	1578 \pm 2MHz	With 66x52.5mm ground plane
3	Bandwidth	6 MHz min	Return Loss <-10 dB
4	VSWR	1.5 max	Center Frequency
5	Gain at Zenith	1.0 dBic typ.	
6	Gain at 10°elevation	- -	
7	Axial Ratio	3 dB max	
8	Polarization	RHCP	
9	Impedance	50 Ohms	
10	Frequency Temperature Coefficient (τ_f)	0 \pm 20ppm / oC	-40°C to +85°C
11	Operating Temperature	-40°C to +85°C	

3. Electrical Specification

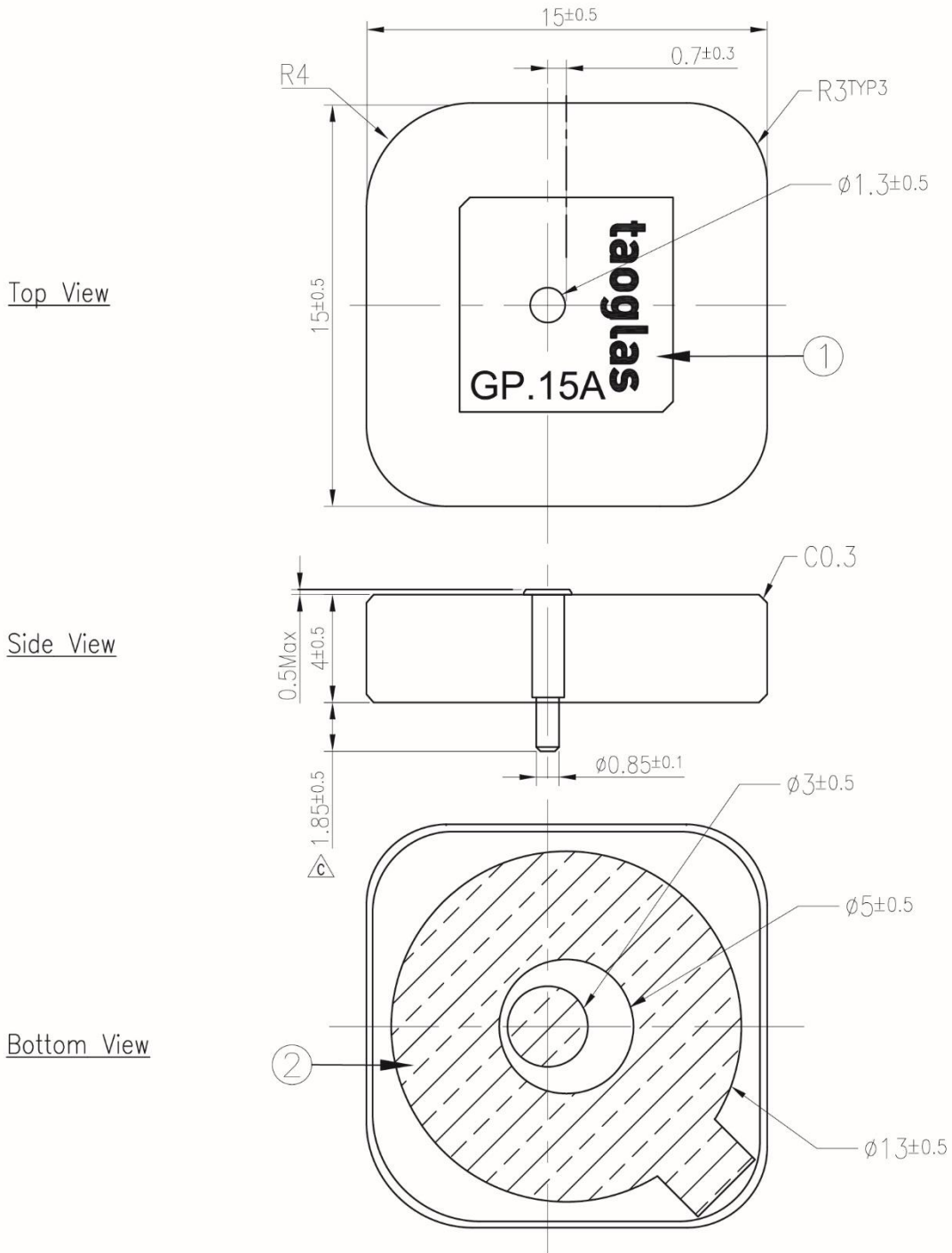
3.1. Smith Chart



4. Antenna Gain Chart (Spin Dipole Method)

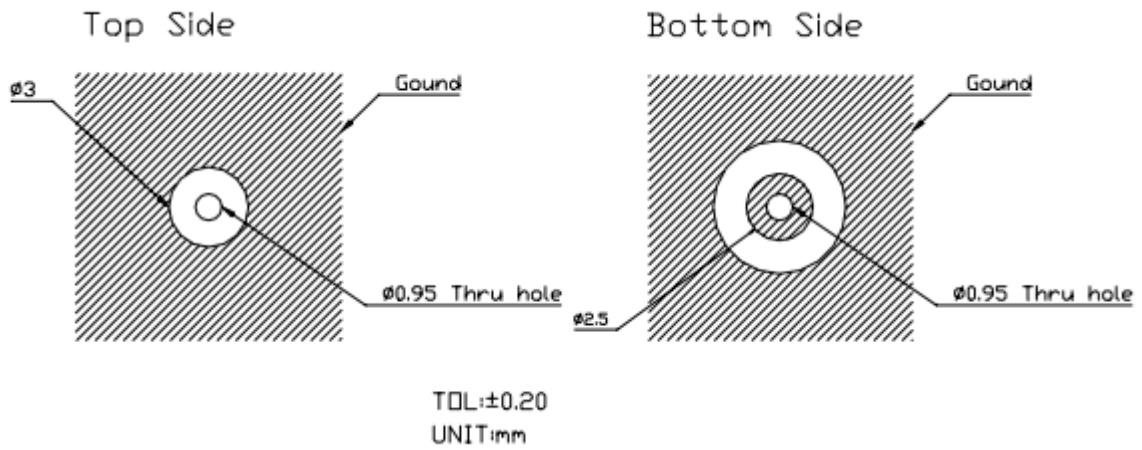


5.Mechanical Drawing



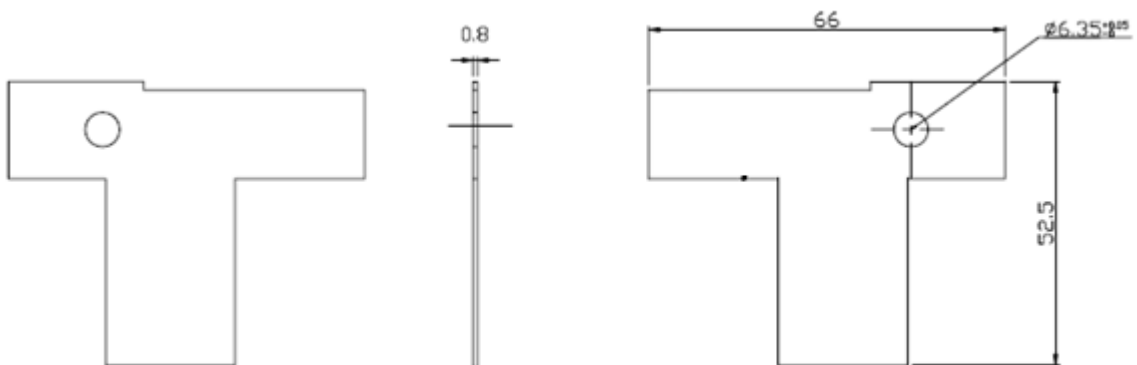
	Name	Material	Finish	QTY
1	GP.1575 Patch(15X15X4)	Ceramic	Clear	1
2	Double sided Adhesive	Tesa 4972	White Liner	1

5.1. Layout Dimension

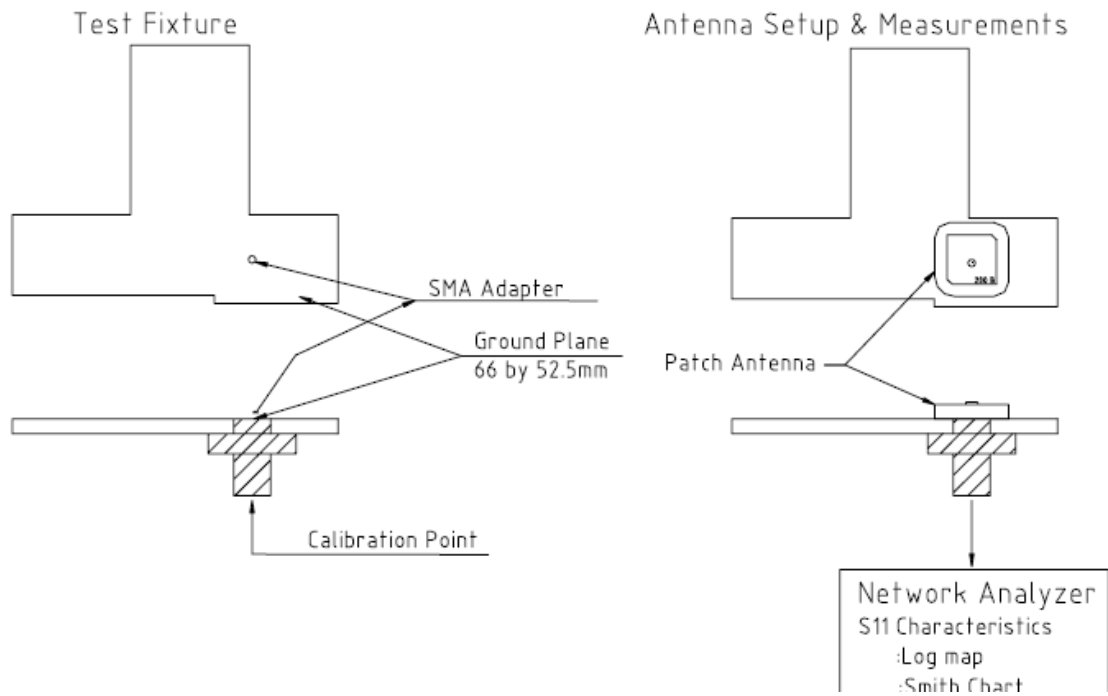


*Note Layout Dimensions may be affected by the thickness of the PCB

6.1 Test Jig and Dimensions

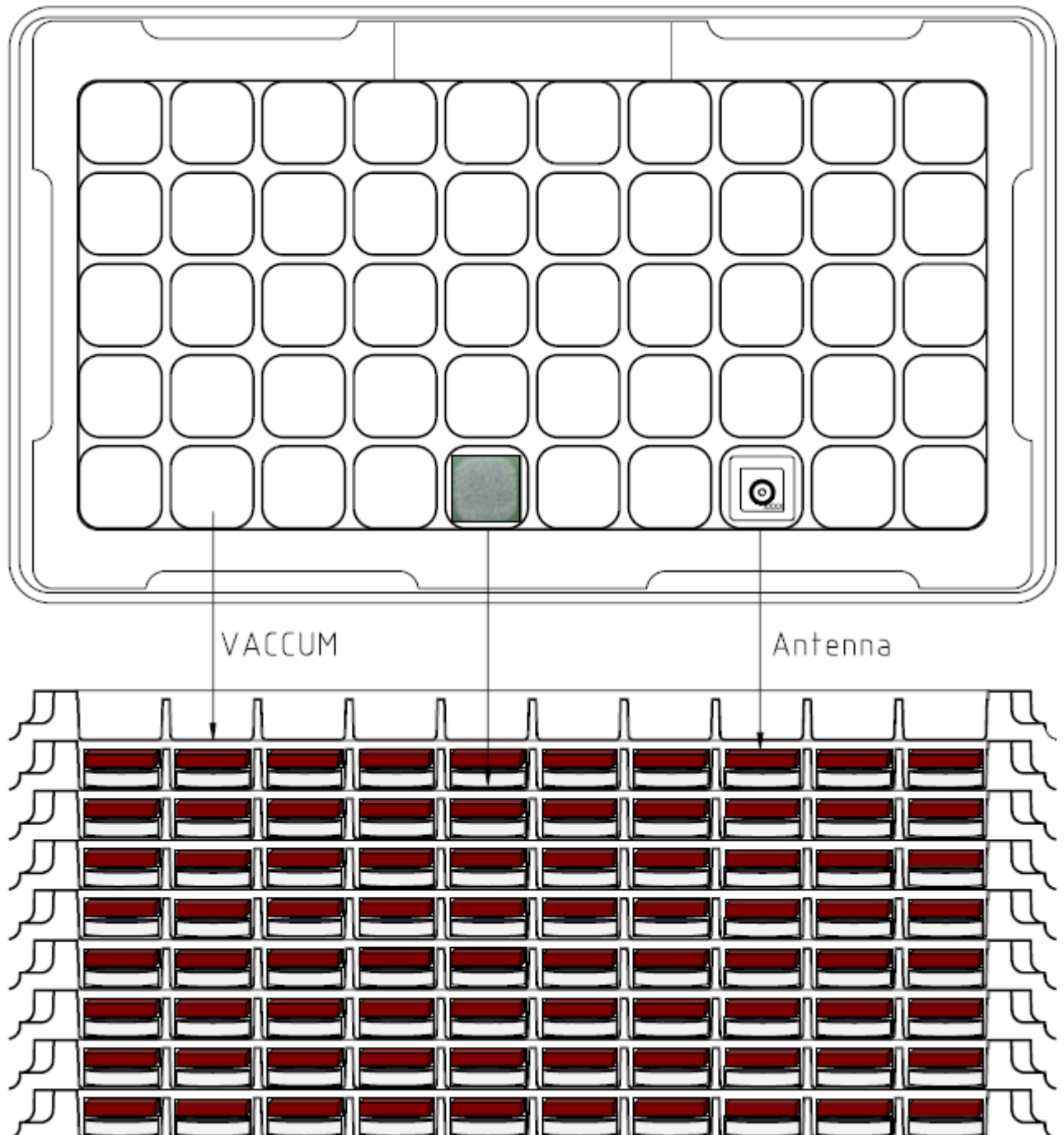


6.1. Test Fixture Antenna Setup & Measurements

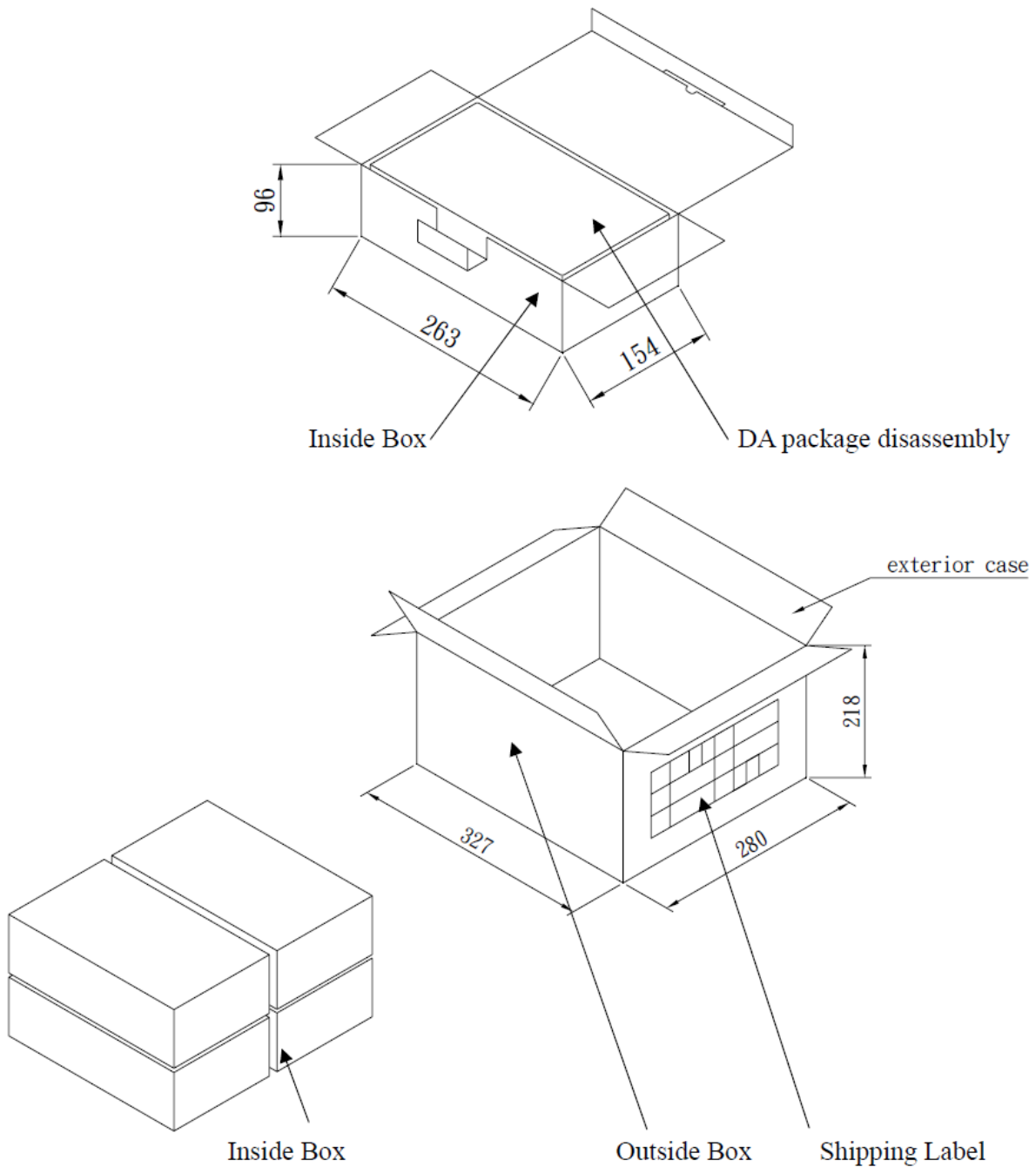


7.Packaging

Pieces per Inner Carton: 400



Packing



Taoglas makes no warranties based on the accuracy or completeness of the contents of this document and reserves the right to make changes to specifications and product descriptions at any time without notice. Taoglas reserves all rights to this document and the information contained herein.

Reproduction, use or disclosure to third parties without express permission is strictly prohibited.

Copyright © Taoglas Ltd.