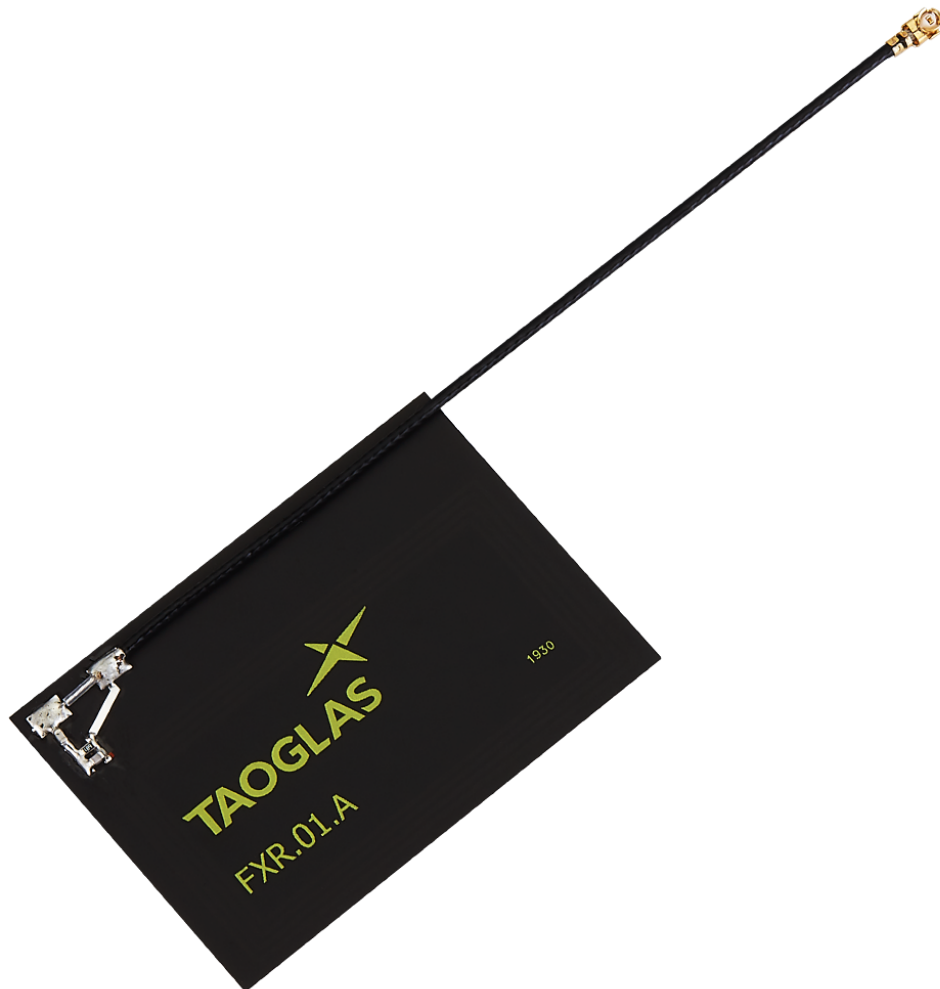


Specification

- Part No. : **FXR.01.07.0100C.A**
- Product Name : Flexible Near-Field Communications Reader Antenna
- Feature : 13.56MHz
Peel and Stick Antenna
1.37 micro coax cable, IPEX MHFI(U.FL)
Read distance out to 5 cm
Adheres directly to product inner housing
53.3*36.8mm
RoHS & REACH Compliant



1. Introduction

Taoglas has developed an NFC (Near Field Communications) antenna for use with NFC readers. This standard design is matched to a 50 Ohm system and provides a well matched solution for NFC readers. The antenna is dimensioned to provide the capability of interrogating typical size NFC tags out to a 5 cm. distance. This standard antenna is delivered with a coaxial cable connected to the antenna element to ease use and integration into customer devices.

The flex design provides a flexible antenna that can be adhered to the plastic enclosure of the customer device. At only 0.1mm thickness it allows antenna placement in small devices and takes minimum footprint.

The standard NFC antenna has an integrated matching circuit to provide a well matched antenna. The Q of the antenna/matching circuit combination has been selected to provide a solution where the bandwidth and read performance have been optimized for best tag interrogation performance. Along with the integrated coaxial cable, this antenna is read to connect to the reader for quick installation and operation.

This standard antenna design can be modified to provide a customized solution where the antenna area is maximized for a specific application to enhance interrogation distance. With the NFC protocol being based on magnetic coupling between the reader antenna and the NFC tag antenna, antenna area will directly relate to interrogation distance. Three areas of modification that can be undertaken are:

1. Optimize area of the antenna design for a specific application
2. Customize matching circuit for a specific application
3. Apply ferrite material to improve interrogation distance

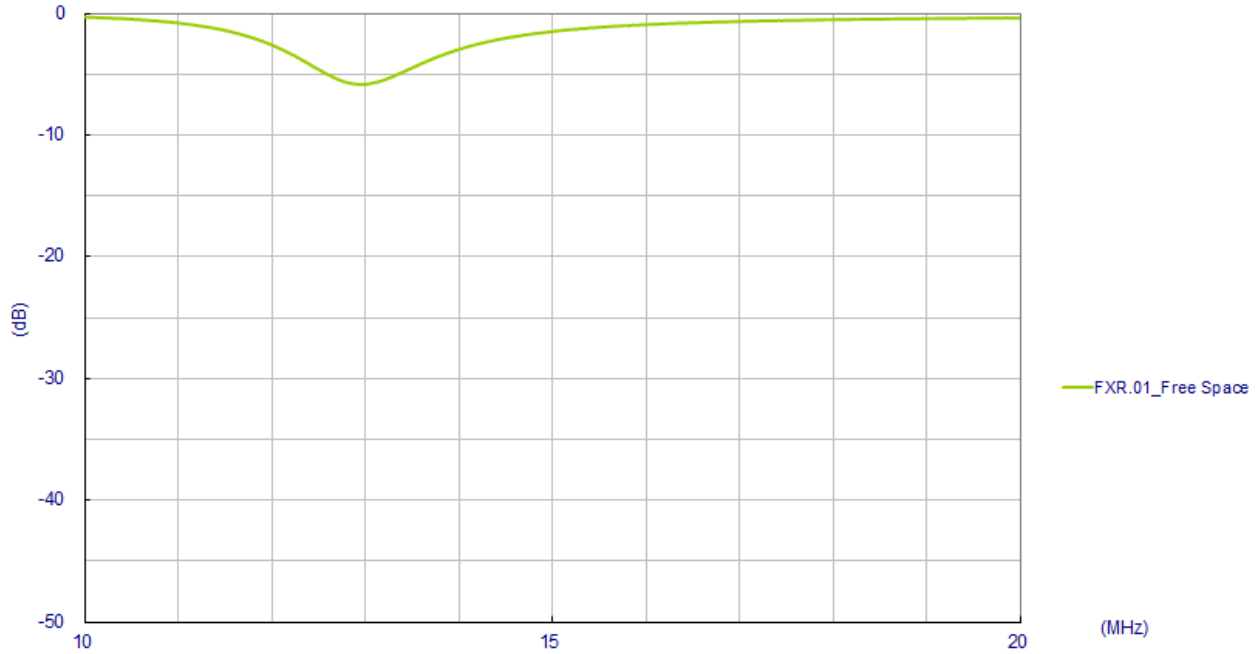
2. Specification Table

Flexible PCB Near-Field Communications Reader Antenna		
Frequency	13.56	MHz
Return Loss	≥ 10	dB
Polarization	Linear	
Impedance	50	Ohm

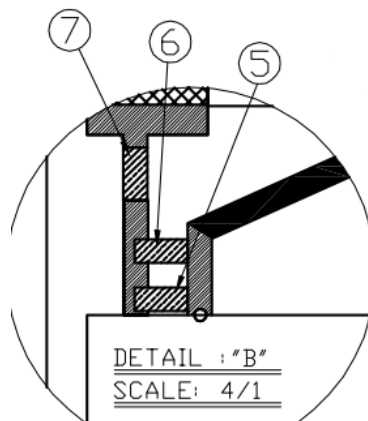
MECHANICAL	
Antenna Dimensions	53.3mm x 36.8mm
Connector	MHFI (U.FL Compatible)
Standard Cable	Mini-Coax. 1.37mm
RoHS Compliant	Yes
Adhesive	3M 467
ENVIRONMENTAL	
Operation Temperature	-40°C to 85°C
Storage Temperature	-40°C to 85°C
Humidity	Non-condensing 65°C 95% RH

3. Antenna Characteristics (Free Space)

3.1. Return Loss



3.2. Matching

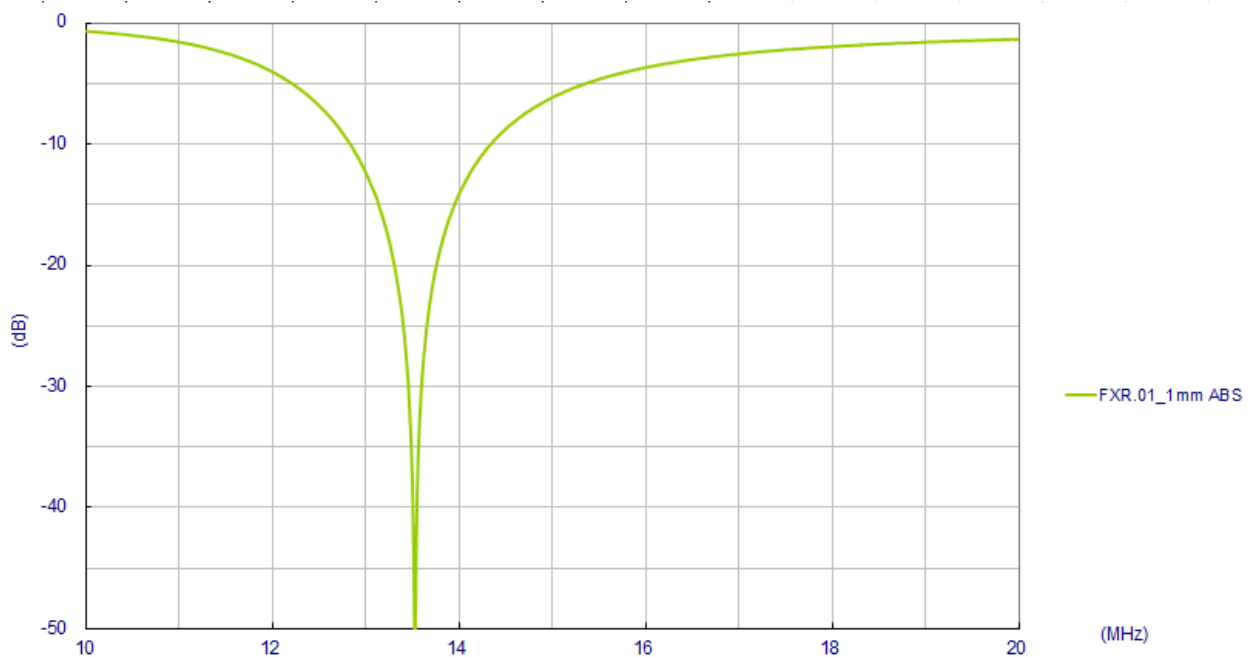


⑤	82 pF 0603 Components	001511L0100XXA	Ceramic	White	1
⑥	680 Ohm 0603 Resistor	001512A0100XXA	Ceramic	White	1
⑦	39 pF 0603 Components	001512A0200XXA	Ceramic	White	1

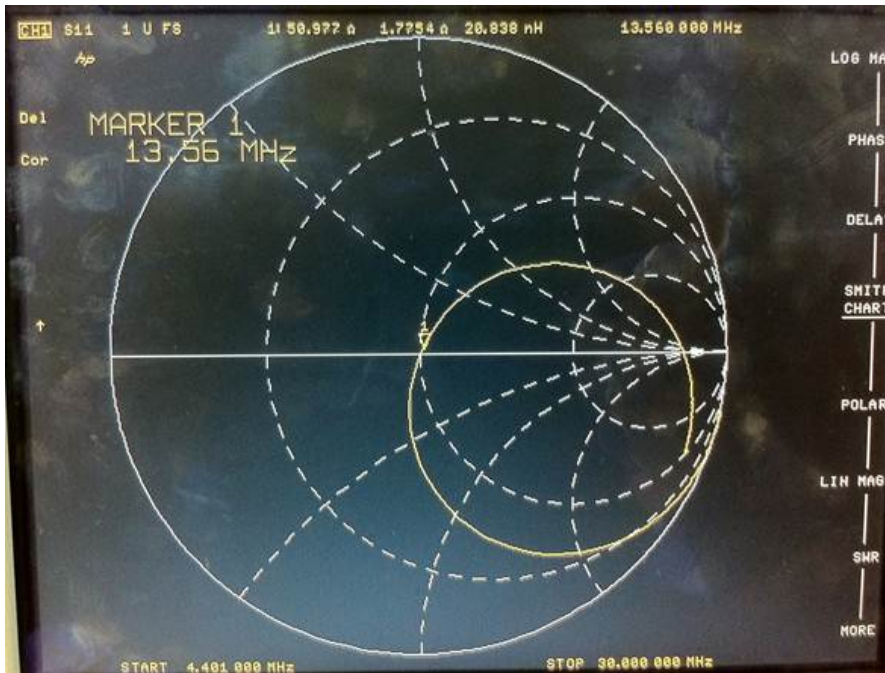
4. Antenna Characteristics (on 1mm ABS)



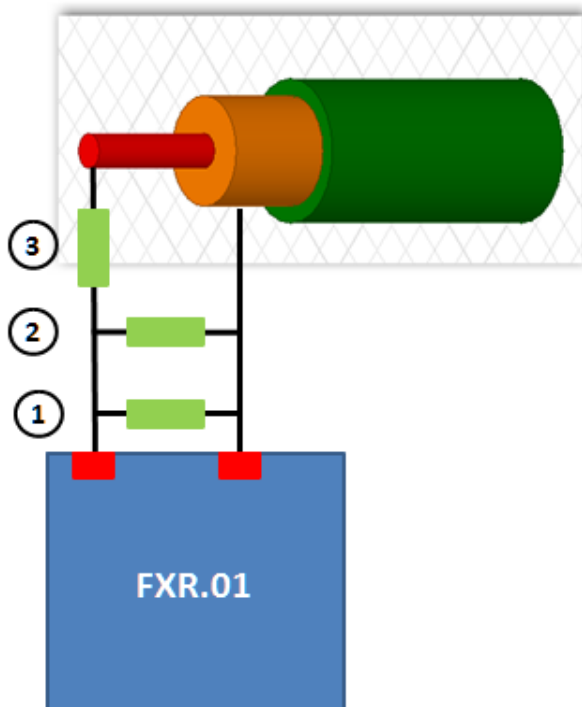
4.1. Return Loss



4.2. Smith Chart



4.3. Matching

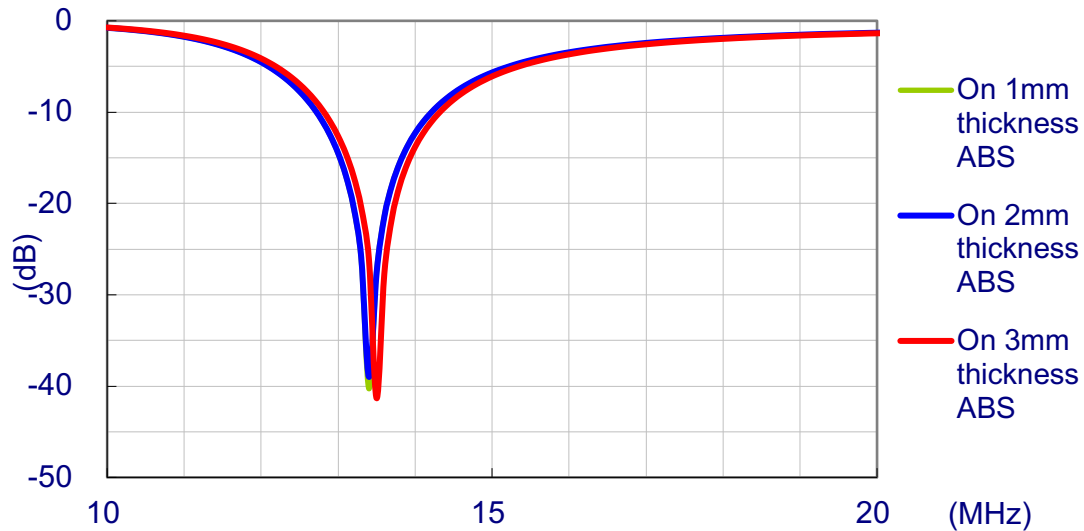


1	680 Ω
2	47 pF
3	68 pF

5. Antenna Applications

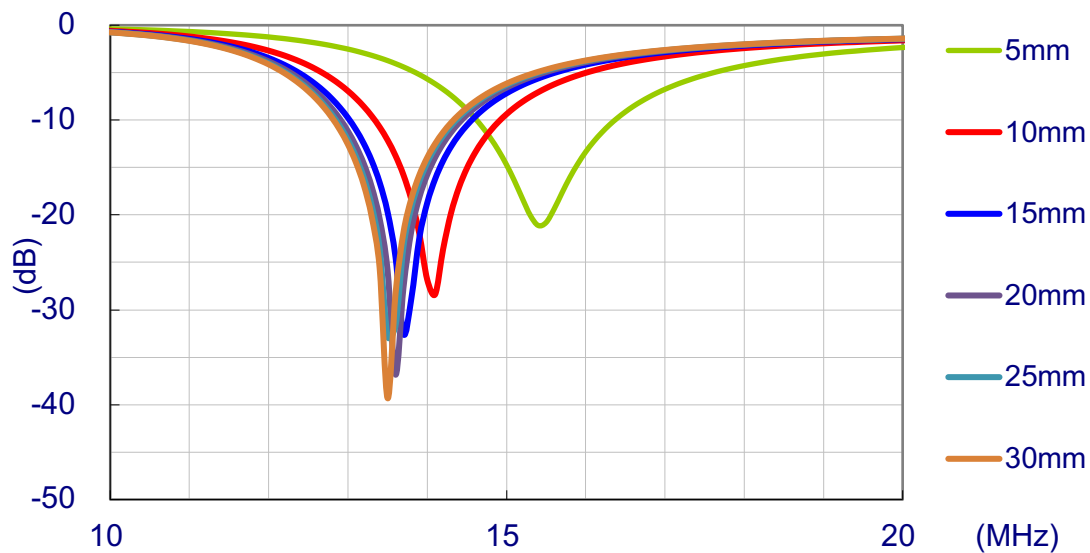
5.1. Thickness of ABS material

For customization reference, we place Taoglas FXR.01 antenna on ABS material boards with different thickness.



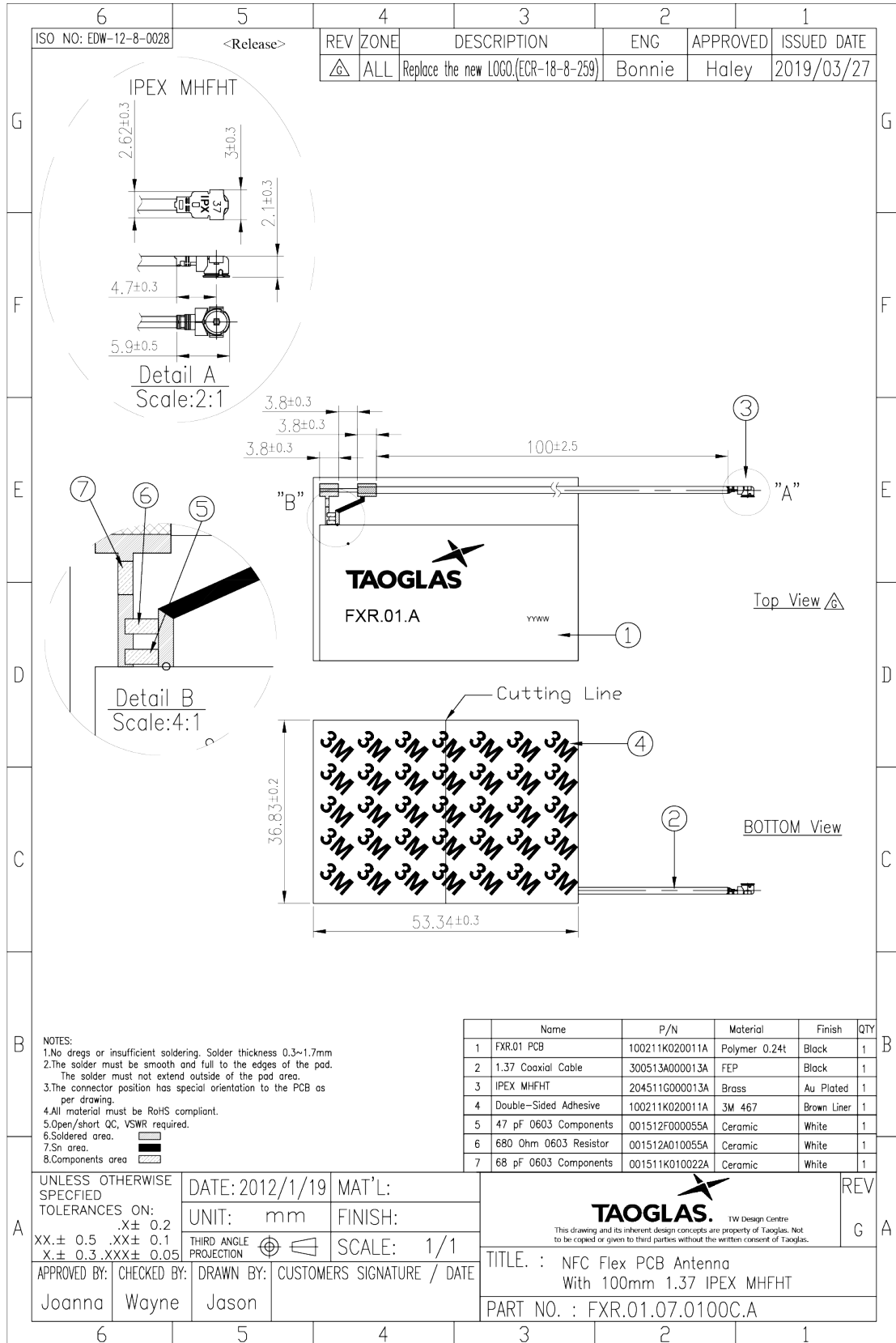
Following the results above, our customers can easily stick this antenna on their device enclosure.

5.2. Proximities to Metal Ground



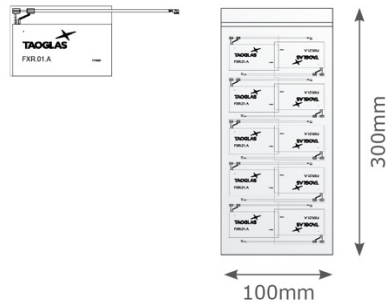
The minimum distance of the antenna placement away from metal is 15mm recommended.

6. Mechanical Drawing



7. Packaging (Unit: mm)

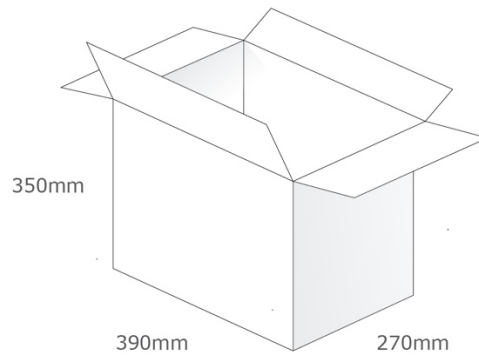
10pcs FXR.01.07.0100C.A per PE Bag
 Bag Dimensions: 300*100mm
 Weight: 120g



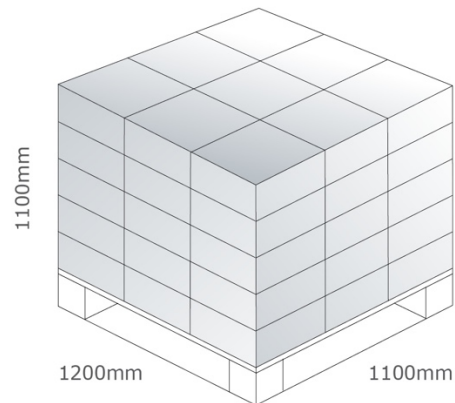
1,000pcs FXR.01.07.0100C.A per Large PE Bag
 Carton: 390*470mm
 Weight: 1.4Kg



4,000pcs FXR.01.07.0100C.A per carton
 Carton: 390*270*350mm
 Weight: 6Kg



Pallet Dimensions:
 1200*1100*1100mm
 45 Cartons per Pallet
 9 Cartons per layer, 5 Layers



Taoglas makes no warranties based on the accuracy or completeness of the contents of this document and reserves the right to make changes to specifications and product descriptions at any time without notice. Taoglas reserves all rights to this document and the information contained herein.

Reproduction, use or disclosure to third parties without express permission is strictly prohibited.

© Taoglas